

# GEORGIA POWER COMPANY PLANT BOWEN COAL COMBUSTION RESIDUALS (CCR) LANDFILL PERMIT DRAWINGS BARTOW COUNTY, GEORGIA AUGUST 2022

## TABLE of CONTENTS

### PLANT BOWEN CCR LANDFILL

1. H15061, Site Plan
2. H15062, Existing Site Topographic Map and Boring/Piezometer Locations
3. H15063, General Site Development Cell Layout
4. H15064, Cell 1 & 2 Site Development-Excavation Plan, Sheet 1 of 2
5. H15065, Cell 1 & 2 Site Development-Excavation Plan, Sheet 2 of 2
6. H15066, Cell 1 & 2 Site Development-Base Grade Plan
7. H15067, Cell 1 & 2 Final Stacking Plan
8. H15068, Cell 3 Site Development-Excavation Plan
9. H15069, Cell 3 Site Development-Base Grade Plan
10. H15070, Cell 4 Site Development-Excavation Plan
11. H15071, Cell 4 Site Development-Base Grade Plan
12. H15072, Cell 5 Site Development-Excavation Plan
13. H15073, Cell 5 Site Development-Base Grade Plan
14. H15074, Cell 6 Site Development-Excavation Plan
15. H15075, Cell 6 Site Development-Base Grade Plan
16. H15076, Cell 7 Site Development-Excavation Plan
17. H15077, Cell 7 Site Development-Base Grade Plan
18. H15078, Cell 8 Site Development-Excavation Plan
19. H15079, Cell 8 Site Development-Base Grade Plan
20. H15080, Cell 3,4,5,6,7 & 8 Final Stacking Plan
21. H15084, Misc. Sections & Details, Sheet 1 of 2
22. H15087, Section A-A
23. H15088, Sections B-B & C-C
24. H15089, Section D-D
25. H15093, Section J-J
26. H15094, Section J-J (Continued)
27. H15095, Section K-K
28. H15096, Sections L-L, M-M, N-N & P-P
29. H15097, Misc. Sections & Details, Sheet 2 of 2
30. H15296, Erosion & Sediment Control Details, Sheet 1 of 6
31. H15297, Erosion & Sediment Control Details, Sheet 2 of 6
32. H15298, Erosion & Sediment Control Details, Sheet 3 of 6
33. H15299, Erosion & Sediment Control Details, Sheet 4 of 6
34. H15300, Erosion & Sediment Control Details, Sheet 5 of 6
35. H15301, Erosion & Sediment Control Details, Sheet 6 of 6
36. H15307, Geologic Cross-Section A-A
37. H15308, Geologic Cross-Section B-B
38. H15309, Geologic Cross-Section C-C
39. H15310, Overburden Potentiometric Surface
40. H15311, Bedrock Potentiometric Surface
41. H15312, Compliance Network Plan
42. H15313, Flood Zone Map
43. H15314, Site Disposal Boundary, Property Plat and Legal Description
44. H15315, Cell Down Drain Data
45. H52260, Fence and Gate Details
46. H52261, Cell 9&10 Top of Clay Liner Grading Plan
47. H52262, Cell 9&10 Leachate Collection Plan
48. H52263, Cell 9&10 Leachate Force Main Plan
49. H52264, Cell 9&10 Final Grading Plan
50. H52265, Cell 9&10 Final Drainage Plan
51. H52266, Cell 9&10 Erosion Control Plan
52. H52267, Cell 9&10 Cross Section A
53. H52268, Cell 9&10 Miscellaneous Details
54. H52269, Cell 9&10 Miscellaneous Details
55. H52270, Cell 9&10 Miscellaneous Details
56. H52271, Cell 9&10 Miscellaneous Details

### RESPONSIBLE OFFICIAL

MANAGER  
ENVIRONMENTAL AFFAIRS  
GEORGIA POWER COMPANY  
BIN 10221  
241 RALPH MCGILL BLVD.  
ATLANTA, GA 30308  
(404) 506-6505

### CCR LANDFILL PERMIT APPLICATION

HODGES, HARBIN, NEWBERRY & TRIBBLE, INC.  
(HHNT, INC.)  
3920 ARKWRIGHT RD, SUITE 101  
MACON, GA 31210  
(478) 743-7175

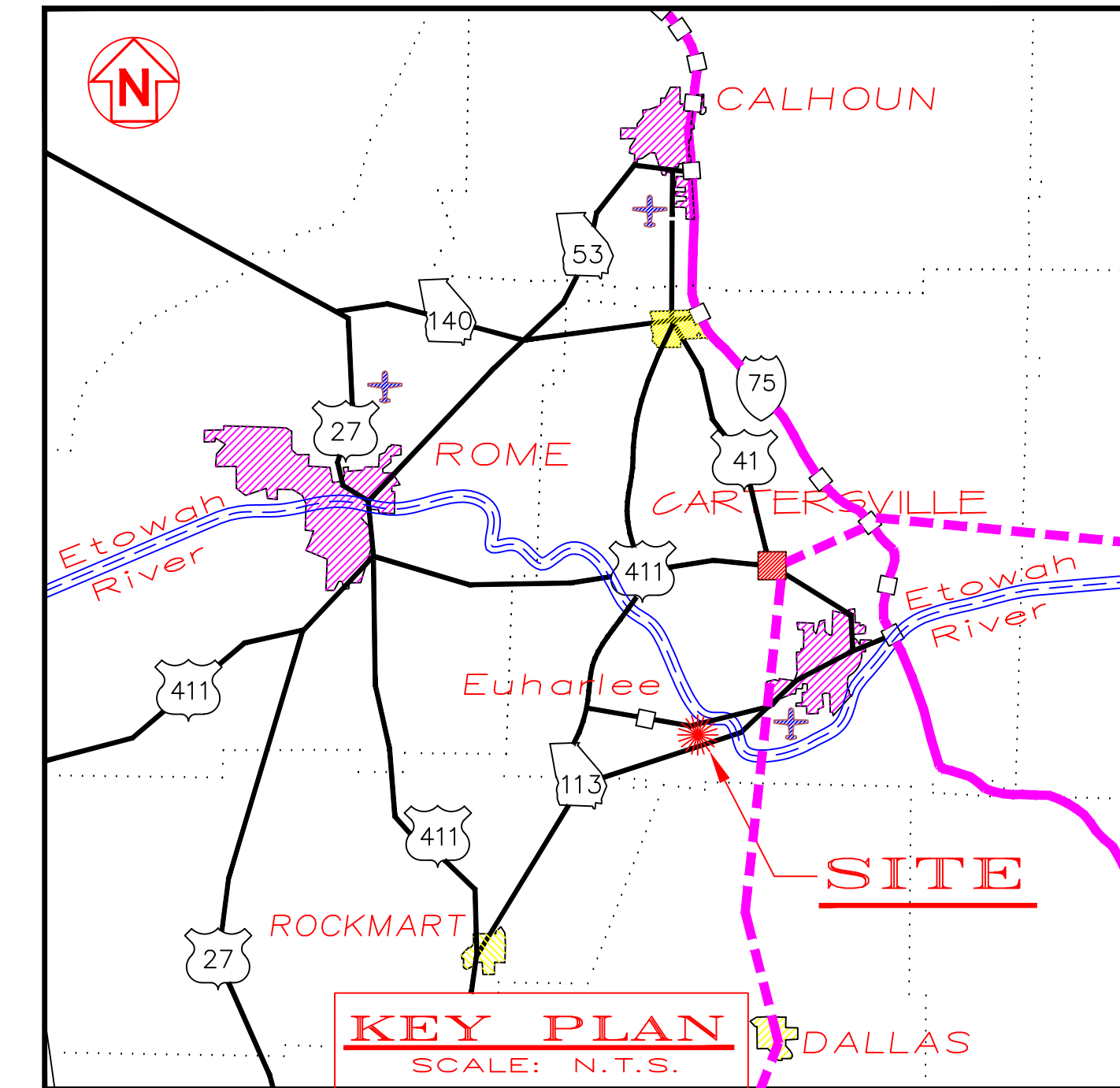
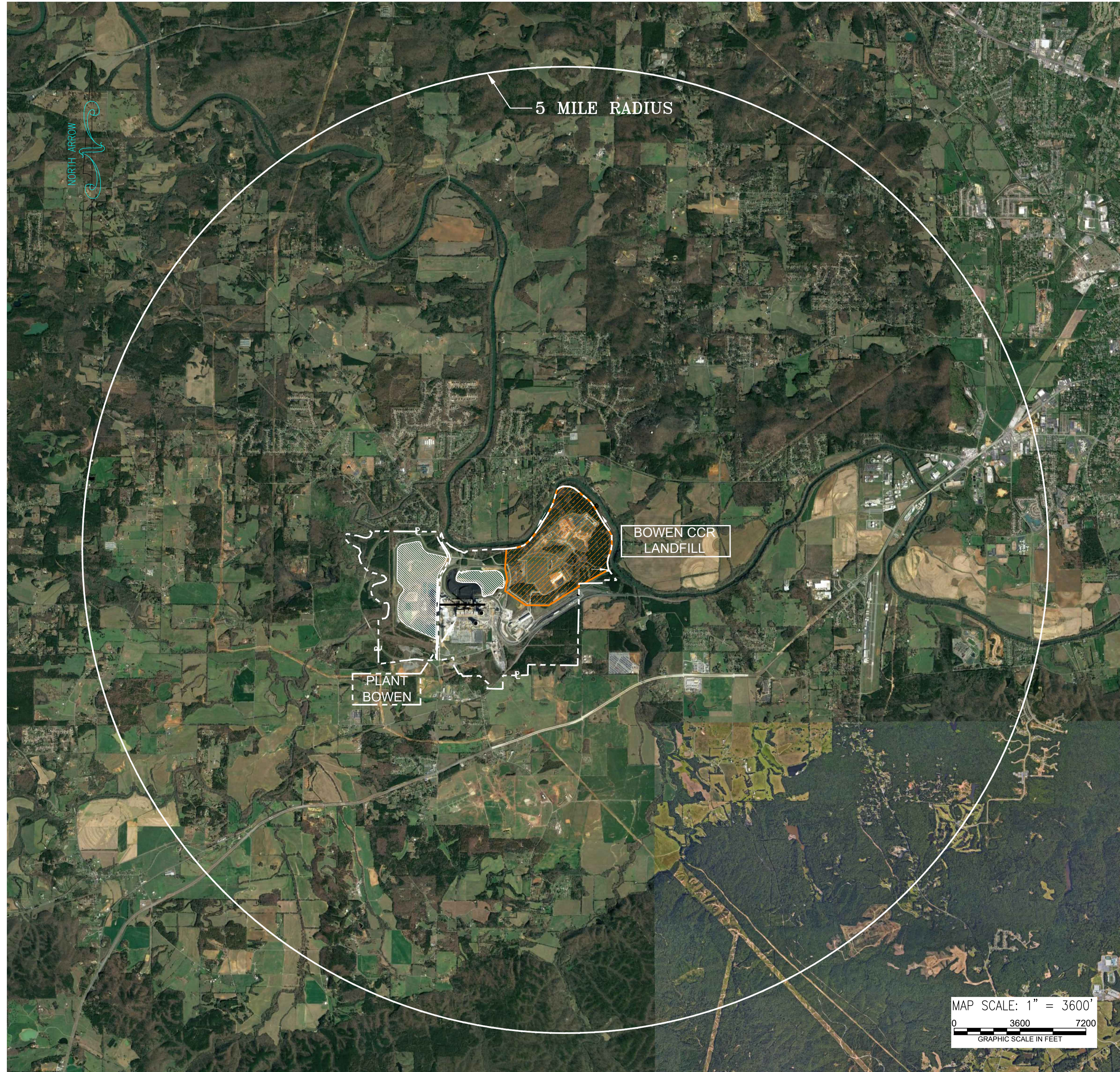
### PROPERTY OWNER

GEORGIA POWER COMPANY  
241 RALPH MCGILL BLVD.  
ATLANTA, GEORGIA 30308

### CONSULTANTS

SOUTHERN COMPANY GENERATION  
BIN 10160  
241 RALPH MCGILL BLVD.  
ATLANTA, GEORGIA 30308  
ATTN: GARY McWHORTER  
TEL: (404) 506-7291  
FAX: (404) 506-7070

HODGES, HARBIN, NEWBERRY, AND TRIBBLE, INC.  
3920 ARKWRIGHT ROAD, SUITE 101  
MACON, GEORGIA 31210  
TEL: (478) 743-7175



### LEGEND:

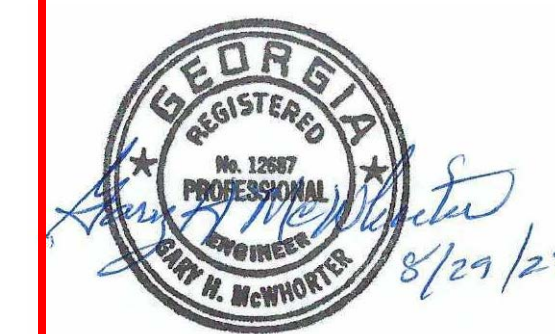
- PLANT BOWEN PROPERTY LINE (APPROXIMATE)
- PLANT BOWEN CCR LANDFILL SITE BOUNDARY

### NOTES:

1. COAL COMBUSTION BY-PRODUCTS AND COAL COMBUSTION RESIDUALS HAVE THE SAME MEANING IN THIS PERMIT APPLICATION.
2. PERMIT REVISION HISTORY: THE ORIGINAL PERMIT DRAWINGS FOR THE PLANT BOWEN CCR LANDFILL WERE PREPARED BY SOUTHERN COMPANY GENERATION ENGINEERING AND CONSTRUCTION SERVICES (SCGCS). THESE PERMIT DRAWINGS WERE REVIEWED BY GEORGIA EPD AND APPROVED IN OCTOBER 2006 AS PART OF THE FACILITY'S SOLID WASTE HANDLING PERMIT WITH SUBSEQUENT REVISIONS TO THE DRAWINGS APPROVED BY GEORGIA EPD THROUGH PERMIT MODIFICATIONS. HODGES, HARBIN, NEWBERRY, AND TRIBBLE INC. (HHNT) HAS ASSISTED GEORGIA POWER COMPANY IN PREPARATION OF THE CCR LANDFILL PERMIT AS REQUIRED BY THE NEW SOLID WASTE RULE 391-4-.10(9)(g) FOR COAL COMBUSTION RESIDUALS UNITS. MINOR PLAN REVISIONS AND UPDATES HAVE BEEN MADE AS PART OF THE NEW CCR LANDFILL PERMITTING PROCESS AND ARE INCLUDED HEREIN. AT THE REQUEST OF GEORGIA EPD AND AS PART OF THE NEW CCR PERMIT PROCESS, ALL PREVIOUS PLAN REVISION NOTES FOR THE FACILITY'S ORIGINAL SOLID WASTE HANDLING PERMIT HAVE BEEN REMOVED.
3. PROPERTY LINE IS APPROXIMATE.
4. GRID IS STATE PLANE GRID, NAD83, WEST ZONE. (APPROXIMATE).
5. TOPOGRAPHIC DATA OBTAINED FROM SOUTHERN GIS DIGITAL USGS, KINGSTON-TAYLORSVILLE 30 X 60 MINUTE QUADRANGLE.
6. GEORGIA POWER PROPERTY LINE DATA OBTAINED FROM GEORGIA POWER COMPANY DRAWING E-1-e.

### REFERENCE DRAWINGS:

1. GEORGIA POWER COMPANY, H-690-6-10, REV. 1, DATED 04/07/05, PLANT BOWEN, COAL COMBUSTION BY-PRODUCT STORAGE FACILITY
2. GEORGIA POWER COMPANY, E-1-e COMPOSITE MAP OF PLANT BOWEN SITE.
3. FLOOD INSURANCE RATE MAP, BARTOW COUNTY, GEORGIA, PANEL 0245 & MAP NUMBER 13015C0245H, EFFECTIVE DATE 10/05/2018.

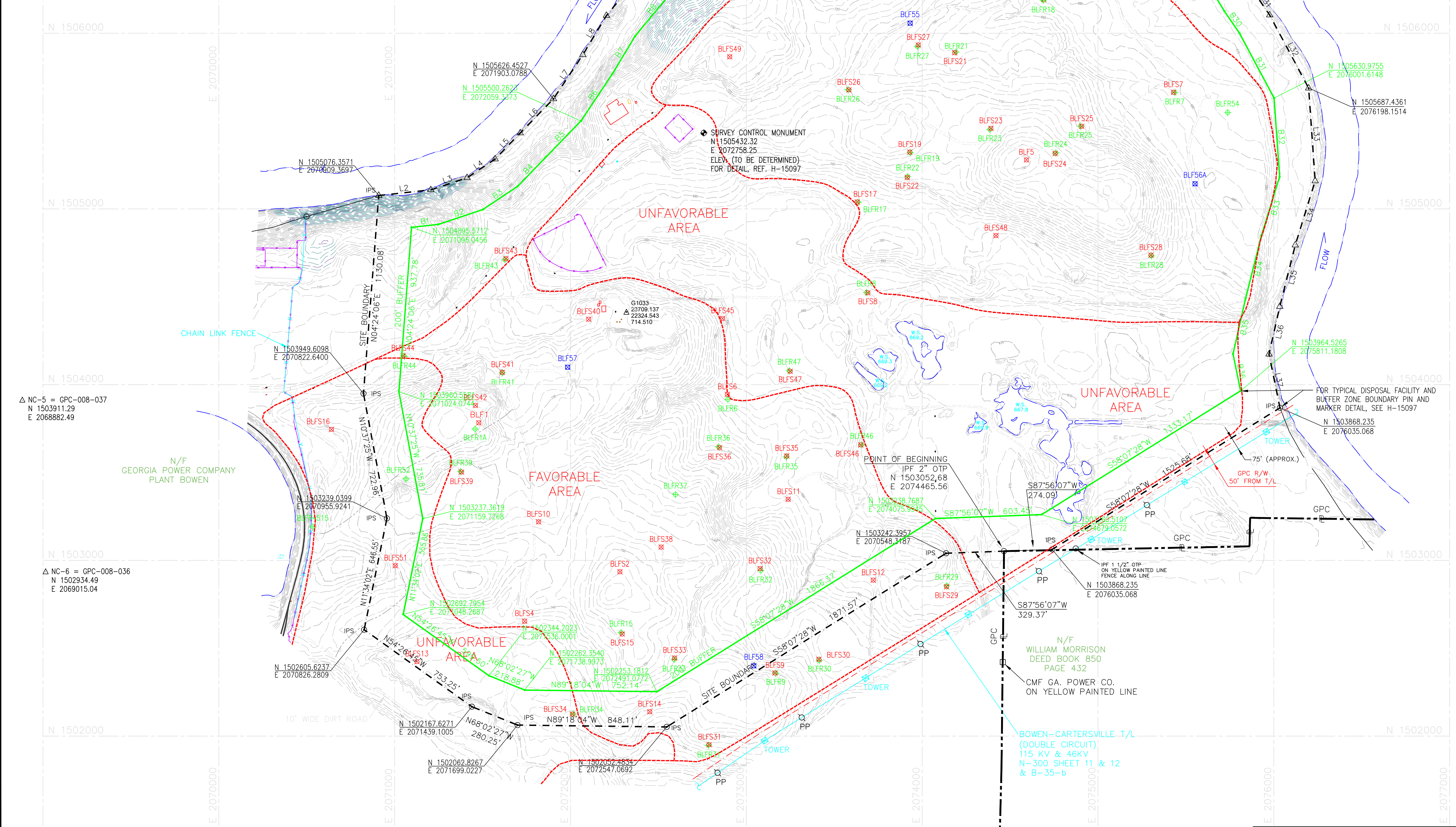


REVISION		DATE		REVISION		DATE		REVISION		DATE		REVISION		DATE		REVISION		DATE											
BY	CHK'D	CIVL APPR	ELECT APPR	I/C APPR	MECH APPR	MGR APPR		BY	CHK'D	CIVL APPR	ELECT APPR	I/C APPR	MECH APPR	MGR APPR		BY	CHK'D	CIVL APPR	ELECT APPR	I/C APPR	MECH APPR	MGR APPR	BY	CHK'D	CIVL APPR	ELECT APPR	I/C APPR	MECH APPR	MGR APPR
																SCALE	PROJ. I.D.	DRAWING NUMBER	SHEET	CONTD.	REV.								
																1"=3600'	10207	<b>H-15061</b>	1	FINAL	0								

Southern Company Generation  
FOR  
**GEORGIA POWER COMPANY**  
PLANT BOWEN  
CCR LANDFILL  
SITE PLAN



CHORDS ALONG LEFT TOP BANK			CHORDS ALONG 200' BUFFER		
Course	Bearing	Distance	Course	Bearing	Distance
(L1 HAS BEEN DELETED)					
L2	N 83°45'43"E	297.92'	B1	N 83°45'43"E	153.34'
L3	N71°34'28"E	217.50'	B2	N71°34'28"E	265.68'
L4	N56°17'48"E	191.67'	B3	N56°17'48"E	240.19'
L5	N43°55'05"E	205.91'	B4	N43°55'05"E	227.11'
L6	N44°11'48"E	271.01'	B5	N44°11'48"E	288.98'
L7	N33°39'01"E	301.34'	B6	N33°39'01"E	324.37'
L8	N31°01'57"E	260.68'	B7	N31°01'57"E	250.21'
L9	N39°38'03"E	347.99'	B8	N39°38'03"E	355.72'
L10	N26°38'48"E	213.50'	B9	N26°38'48"E	191.56'
L11	N51°50'56"E	137.60'	B10	N51°50'56"E	142.65'
L12	N23°54'26"E	251.33'	B11	N23°54'26"E	285.55'
L13	N32°47'25"E	229.48'	B12	N32°47'25"E	230.63'
L14	N23°15'10"E	384.59'	B13	N23°15'10"E	402.15'
L15	N22°45'08"E	263.63'	B14	N22°45'08"E	274.65'
L16	N20°42'42"E	65.34'	B15	N20°42'42"E	260.75'
L17	N10°37'35"E	491.41'	B16	N10°37'35"E	256.57'
L18	N52°20'51"E	172.35'	B17	N52°20'51"E	68.04'
L19	N65°25'25"E	210.19'	B18	N65°25'25"E	157.87'
L20	N82°08'45"E	249.90'	B19	N82°08'45"E	181.18'
L21	S75°36'29"E	311.70'	B20	S75°36'29"E	244.22'
L22	S59°34'46"E	132.57'	B21	S59°34'46"E	83.20'
L23	S47°28'17"E	452.84'	B22	S47°28'17"E	450.79'
L24	S58°24'52"E	170.98'	B23	S58°24'52"E	167.41'
L25	S45°26'46"E	316.89'	B24	S45°26'46"E	300.77'
L26	S49°13'43"E	181.40'	B25	S49°13'43"E	166.57'
L27	S36°59'45"E	314.99'	B26	S36°59'45"E	286.83'
L28	S33°08'44"E	296.76'	B27	S33°08'44"E	281.47'
L29	S28°14'14"E	380.10'	B28	S28°14'14"E	377.27'
L30	S31°31'27"E	568.21'	B29	S31°31'27"E	579.04'
L31	S34°26'16"E	159.00'	B30	S34°26'16"E	152.93'
L32	S28°03'05"E	471.04'	B31	S28°03'05"E	417.28'
L33	S04°00'18"E	529.29'	B32	S04°00'18"E	449.24'
L34	S17°12'34"W	382.01'	B33	S17°12'34"W	349.94'
L35	S14°07'27"W	360.99'	B34	S14°07'27"W	368.76'
L36	S12°45'38"W	278.11'	B35	S12°45'38"W	323.63'
L37	S11°34'49"E	311.31'	B36	S11°34'49"E	215.17'



WELL	NORTHING	EASTING	TOP OF WELL ELEV
BLFR1A	1503747.415	2071457.913	750.32
BLFR6	1503916.759	2072895.378	692.16
BLFR7	1505662.563	2075436.941	684.40
BLFR8	1504524.486	2073663.204	679.24
BLFR9	1502355.201	2073168.840	731.66
BLFR15	1502586.132	2072288.733	749.36
BLFR17	1505037.964	2073636.423	692.90
BLFR18	1506187.864	2074688.870	685.09
BLFR19	1505319.944	2073932.827	717.37
BLFR20	1505676.439	2075290.397	674.27
BLFR21	1505893.189	2074191.998	697.05
BLFR22	1505184.428	2073917.563	710.76
BLFR23	1505452.121	2074385.131	715.35
BLFR24	1505313.008	2074760.426	725.45
BLFR25	1505468.628	2074903.525	707.36
BLFR26	1505678.681	2073578.530	712.03
BLFR27	1505924.340	2073973.026	701.35
BLFR28	1504732.717	2075305.286	706.19
BLFR29	1502855.677	2074140.236	684.95
BLFR30	1502438.826	2073415.034	711.88
BLFR31	1501948.038	2072784.292	726.78
BLFR32	1502942.715	2073082.193	723.28
BLFR33	1502436.755	2072589.963	744.33
BLFR34	1502125.626	2072016.709	723.75
BLFR35	1503589.082	2073227.123	690.78
BLFR36	1503646.332	2072841.895	706.49
BLFR37	1503374.473	2072597.193	729.59
BLFR39	1503505.680	2071375.358	729.66
BLFR41	1504066.935	2071612.746	719.48
BLFR43	1504711.271	2071627.506	705.63
BLFR44	1504161.050	2071055.691	707.33
BLFR45	1503190.866	2070534.570	724.83
BLFR46	1503658.069	2073656.965	677.47
BLFR47	1504079.590	2073244.050	682.81
BLFR50	1506555.076	2073642.832	718.76
BLFR52	1503463.837	2071064.767	739.55
BLFR53	1506679.068	2073896.536	NA
BLFR54	1505548.468	2075738.316	NA
BLFR55	1506058.821	2073931.645	708.27
BLFR56A	1505142.940	2075552.292	688.50
BLFR57	1504099.693	2071983.698	723.61
BLFR58	1502399.958	2073042.736	729.81

WELL	NORTHING	EASTING	TOP OF WELL ELEV
BLF1	1503782.930	2071478.672	NA
BLFS2	1502935.563	2072281.333	755.33
BLFS4	1502653.810	2071739.275	737.11
BLF5	1505279.230	2074593.486	NA
BLFS6	1503922.697	2072892.317	695.47
BLFS7	1505663.505	2075429.560	684.67
BLFS8	1504522.867	2073691.120	679.77
BLFS9	1502359.208	2073162.825	731.79
BLFS10	1503219.429	2071818.608	742.10
BLFS11	1503347.739	2073238.076	696.67
BLFS12	1502887.413	2073721.983	699.69
BLFS13	1502424.110	2071126.753	724.57
BLFS14	1502138.798	2072451.000	728.56
BLFS15	1502581.159	2072234.131	753.91
BLFS16	1503745.282	2070640.502	723.12
BLFS17	1505039.879	2073631.097	692.36
BLFS18	1506191.223	2074691.797	684.18
BLFS19	1505323.403	2073929.741	714.41
BLFS20	1506279.148	2075304.845	674.28
BLFS21	1505889.032	2074185.241	697.15
BLFS22	1505178.897	2073915.136	708.57
BLFS23	1505458.432	2074391.064	715.79
BLFS24	1505315.309	2074756.166	723.22
BLFS25	1505470.359	2074907.585	709.01
BLFS26	1505675.485	2073583.590	712.03
BLFS27	1505933.043	2073978.366	701.35
BLFS28	1504736.957	2075301.251	707.40
BLFS29	1502849.899	2074138.976	686.46
BLFS30	1502473.382	2073413.144	712.83
BLFS31	1501951.108	2072788.396	725.81
BLFS32	1502953.722	2073078.407	722.02
BLFS33	1502444.779	2072592.049	742.54
BLFS34	1502125.580	2072010.585	720.76
BLFS35	1503594.319	2073229.918	691.72
BLFS36	1503642.155	2072847.951	707.58
BLFS38	1503075.861	2072515.964	744.11
BLFS39	1503502.609	2071380.275	730.78
BLFS40	1504372.466	2072103.394	713.43
BLFS41	1504070.121	2071611.520	719.83
BLFS42	1503882.160	2071459.390	745.65
BLFS43	1504717.219	2071633.145	704.43
BLFS44	1504163.722	2071048.381	709.12
BLFS45	1504376.803	2072865.259	693.46
BLFS46	1503657.155	2073650.780	677.18
BLFS47	1504076.070	2073249.749	686.01
BLFS48	1504848.370	2074420.005	688.34
BLFS49	1505865.787	2072905.512	738.79
BLFS51	1502969.889	2071003.077	733.64

**LEGEND:**

<p><b>PLAT ABBREVIATIONS</b></p> <p>IPF - Iron Pin Found          IPS - 1/2" Rebar Set          CMF - Concrete Monument Found          FFS - Fence Post Set          OIP - Open Top Pipe          CIP - Clamp Top Pipe          Conc. - Concrete          Alum. - Aluminum          P/L - Property Line          R/W - Right of Way          C/L - Centerline          F/L - Fenceline          T/L - Transmission Line          N/F - Now or Formerly          DB - Deed Book          PB - Plat Book          MF - Map File No.          GPC - Georgia Power Company</p>	<p><b>MONUMENTATION LEGEND</b></p> <p>○ Depicts Iron Pin Set          □ Depicts Iron Pin Found          □ Depicts Monument Set          □ Depicts Monument Found          △ Depicts Unmonumented Point on Top of Bank          ● Survey Control Monument, Construction</p>
<p><b>LINE LEGEND</b></p> <p>--- Property Line          - - - Site Boundary          --- Buffer Zone          --- Favorable/Unfavorable Area Delineation          --- Fence</p>	<p><b>UTILITY LEGEND</b></p> <p>○ Powerline Tower          ○ Power Pole</p>
<p><b>BORING/PIEZOMETER LEGEND</b></p> <p>● Top of Rock Boring/Piezometer          ● Soil Boring/Piezometer          ● Deep Boring/Piezometer</p>	

**CONTROL FROM GPC LAND DEPARTMENT STATE PLANE COORDINATES GEORGIA WEST ZONE N.A.D. 83**

NC-5 = GPC-008-037  
 NORTHING: 1503911.29  
 EASTING: 2068882.49  
 NC-6 = GPC-008-036  
 NORTHING: 1502934.49  
 EASTING: 2069015.04

**CERTIFICATION:**

THIS TOPOGRAPHIC MAP WAS PREPARED BY METRO ENGINEERING & SURVEYING CO., INC. FROM AERIAL PHOTOGRAPHY DATED FEBRUARY 26, 2005, BASED ON THE DESCRIBED MAPPING PARAMETERS AND PROCEDURES. I CERTIFY THAT THIS TOPOGRAPHIC MAP WAS GENERATED AT 1" = 50' WITH A CONTOUR ACCURACY OF 1 FT. BASED ON NATIONAL MAPPING STANDARDS.

**GEORGIA**  
 DEPARTMENT OF NATURAL RESOURCES  
 ENVIRONMENTAL PROTECTION DIVISION

**Approved**  
 Solid Waste Management Program

Approved By: Keith Stevens

**GEORGIA**  
 DEPARTMENT OF NATURAL RESOURCES  
 ENVIRONMENTAL PROTECTION DIVISION

**Approved**  
 Solid Waste Management Program

Approved By: \_\_\_\_\_

**GEORGIA**  
 REGISTERED PROFESSIONAL ENGINEER  
 No. 2711  
 P. BRANT LINE  
 8/29/22

**NOTES:**

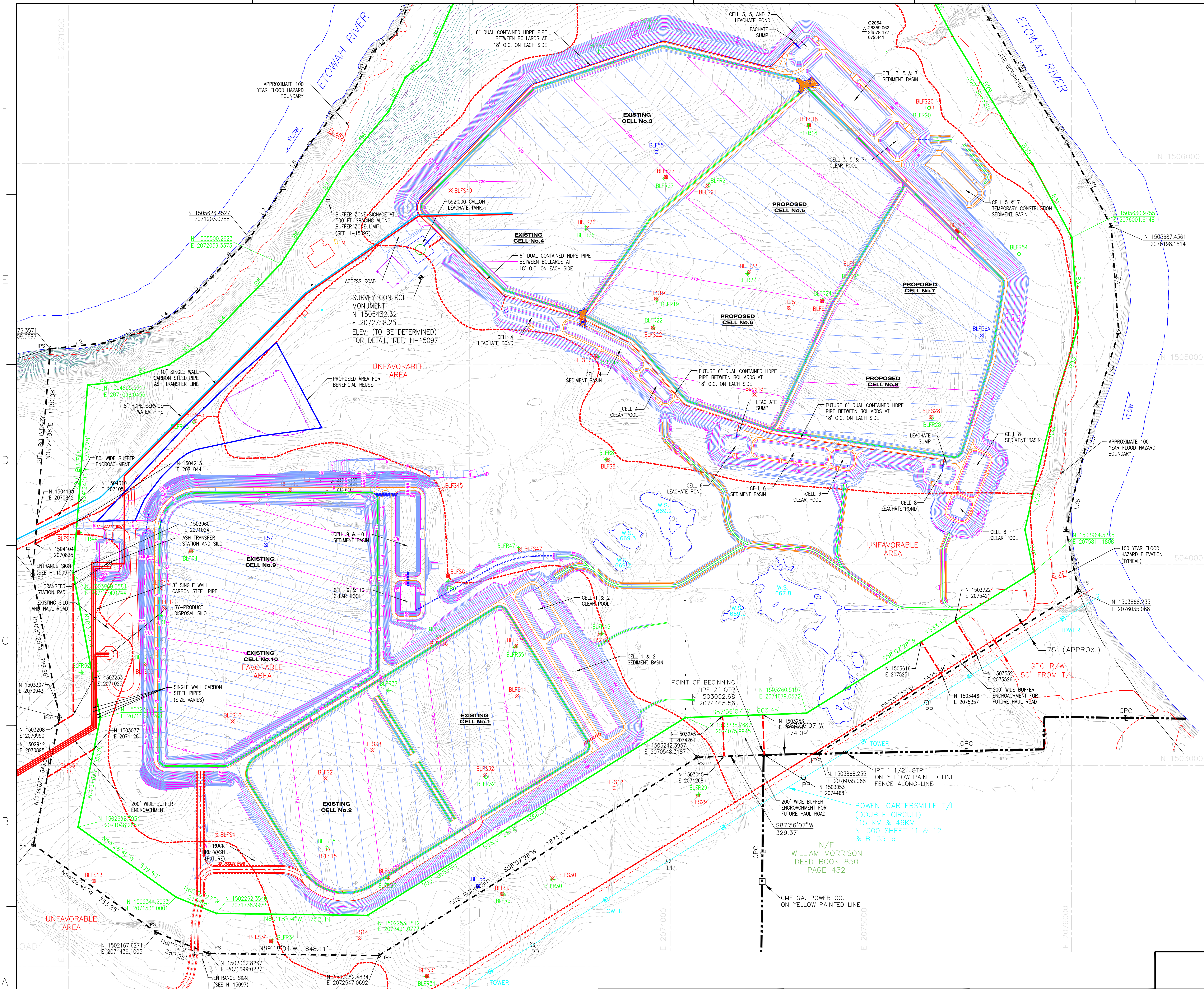
1. TOPOGRAPHIC SURVEY COMPLETED MAY 27, 2004.
2. HORIZONTAL AND VERTICAL CONTROL PROVIDED BY GEORGIA POWER COMPANY LAND DEPARTMENT.

**REFERENCE DRAWINGS:**

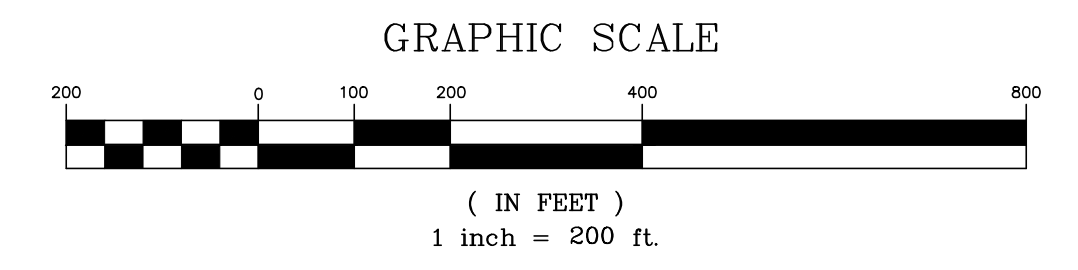
1. FOR A COMPLETE DRAWING LIST SEE SHEET H-15061.
2. COMPOSITE MAP OF PLANT BOWEN SITE LAND DEPARTMENT MAP FILE NO. E-1-e.
3. GEORGIA POWER COMPANY LAND DEPARTMENT PROPERTY PLAT H-690-6-10, REV. 1, DATED 4/07/05.

REVISION		DATE	REVISION 0		DATE 8/25/2022	Southern Company Generation FOR	
ISSUED FOR PERMIT			ISSUED FOR PERMIT			<b>GEORGIA POWER COMPANY</b>	
PLANT BOWEN CCB DISPOSAL FACILITY EXISTING SITE TOPOGRAPHIC MAP AND BORING/PIEZOMETER LOCATIONS			PLANT BOWEN CCB DISPOSAL FACILITY EXISTING SITE TOPOGRAPHIC MAP AND BORING/PIEZOMETER LOCATIONS			SCALE PROJ. I.D. DRAWING NUMBER SHI CONTO. REV	
BY	CHK'D	CIVIL APPR	ELECT APPR	I/C APPR	MECH APPR	MGR APPR	1"=300'
ANR	RBL						10207
						<b>H-15062</b>	
						1 FINAL 0	





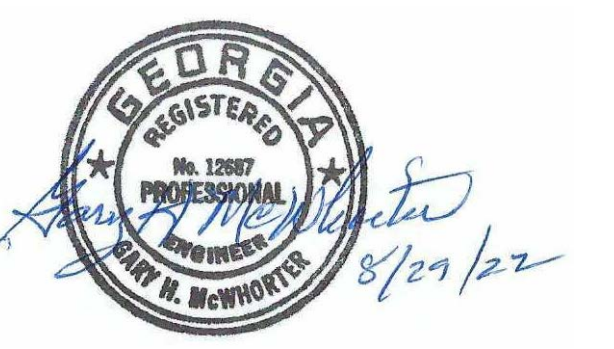
- GENERAL NOTES:**
- All land disturbing activities shall conform to the minimum requirements for conservation and engineering practices as published by the Georgia Soil and Water Conservation Commission in the latest edition of the Manual for Erosion and Sediment Control in Georgia.
  - Monitoring of surface waters during construction shall be in accordance with the NPDES General Permit for Stand Alone Projects (GAR 100001) for Construction Activities and the Guideline for Construction Monitoring contained in the EPD Guidance Document for Design and Operational Plans, Nov. 1993. A copy of this guideline is enclosed as part of the Supplemental Information Report for the Design and Operational Plan for this facility. The discharge from the clear pools during operation will be monitored under a NPDES General Permit for Storm Water Discharge Associated with Industrial Activities.
  - Areas designated for excavation, earth fill, ditches, and diversions shall be cleared, grubbed, and stripped of any trees, brush, stumps, and vegetation prior to excavation. Clearing limits shall be held at a minimum. No clearing will be performed in the 200' Buffer, except for direct ingress and egress and for access for monitoring well installation.
  - Trees, debris and other vegetation removed during the clearing, grubbing, and stripping operations shall not be disposed of inside the Site Boundary. This material shall be disposed of in accordance with local ordinances.
  - A borrow investigation shall be conducted to locate suitable material for compacted earth fill, clay liner, and final cover material.
  - All earthen structures are engineered to withstand a horizontal acceleration of 0.22g.
  - Existing site horizontal and vertical survey control monuments NC-5 and NC-6 are indicated on drawing H-15062. The proposed location of the Survey Control Monument for construction activities is shown on this drawing and on drawing H-15062.
  - The corners of the Site Boundary and Buffer Zone shall be established and identified by 1/2 inch iron pins (rebar). 4"x4" marker posts shall also be set in order to identify the corners. The limits of the Buffer Zone shall be visibly marked to ensure no construction activities will be performed in the Buffer Zone.
  - The control of CCR waste placement at the facility shall be established from the survey control monument.
  - Bollards are to be placed on each side of the containment piping along route with a liner spacing of 18'-0" unless otherwise specified.
  - The ash transfer and water pipelines will be routed or extended to a new portable ash conditioning (PAC) machine location within future cells 5/6 and 7/8 as the cells are developed.



- LEGEND:**
- + TOP OF ROCK BORING/TEMPORARY PIEZOMETER LOCATION
  - x SOIL BORING/TEMPORARY PIEZOMETER LOCATION
  - x DEEP BORING/TEMPORARY PIEZOMETER LOCATION
  - PROPERTY LINE
  - SITE BOUNDARY
  - 200' BUFFER
  - FAVORABLE/UNFAVORABLE AREA DELINEATION
  - EXISTING GROUND CONTOURS
  - FINAL GRADE CONTOURS
  - FENCE

- NOTES:**
- TOPOGRAPHIC SURVEY COMPLETED MAY 27, 2004.
  - HORIZONTAL AND VERTICAL CONTROL PROVIDED BY GEORGIA POWER COMPANY LAND DEPARTMENT.
  - THE 100 YEAR FLOOD HAZARD BOUNDARY AND ELEVATIONS WERE OBTAINED FROM FEMA MAP NO. 13015C0245H, EFFECTIVE DATE, 10-05-2018.

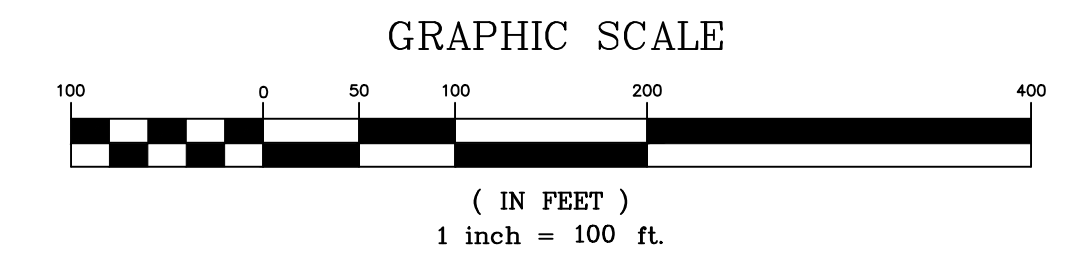
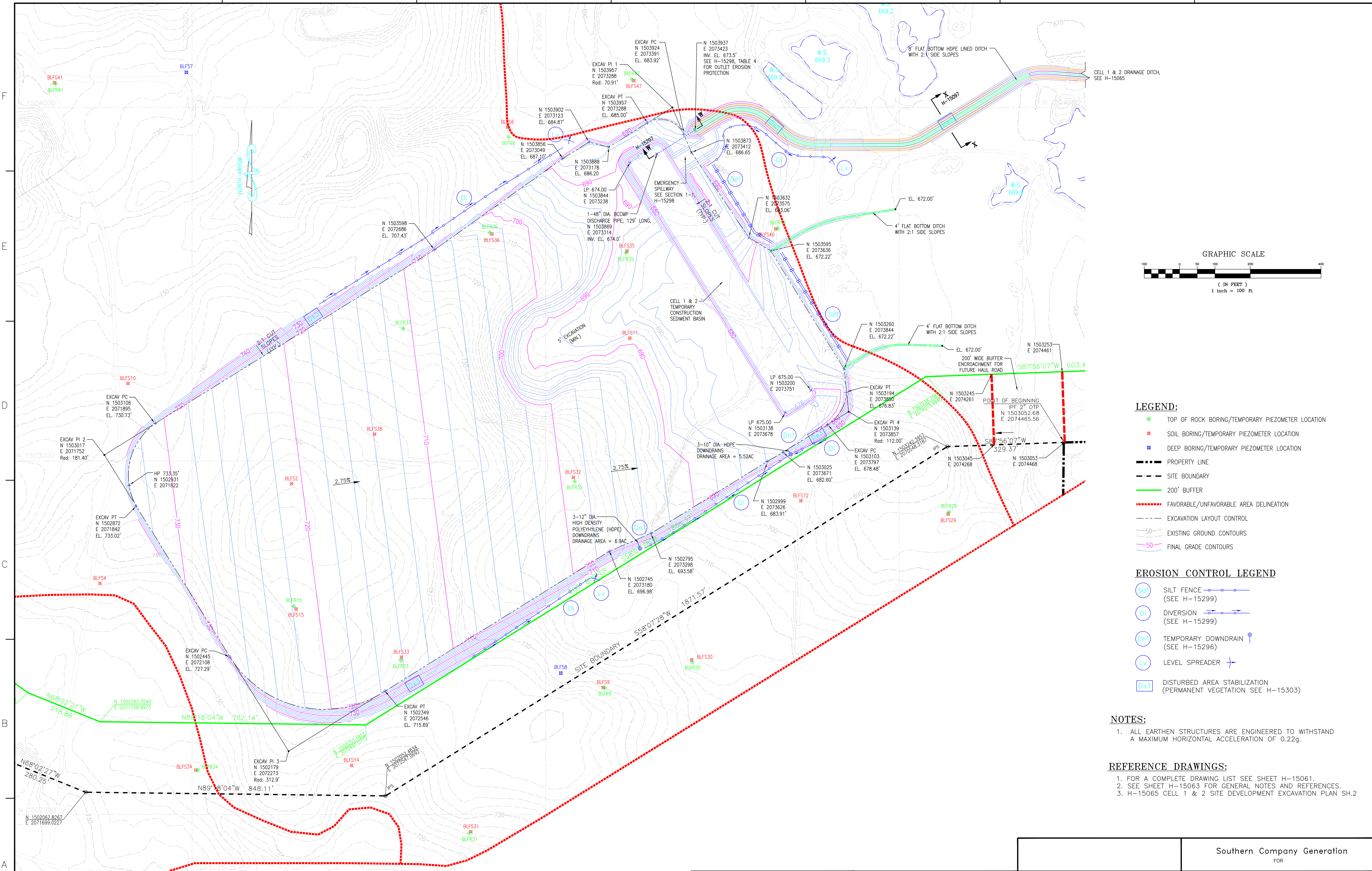
- REFERENCE DRAWINGS:**
- FOR A COMPLETE DRAWING LIST SEE SHEET H-15061.



REVISION	DATE	REVISION	DATE	REVISION	DATE	REVISION	DATE
BY	CHK'D	CIVIL APPR	ELECT APPR	L/C APPR	MECH APPR	MGR APPR	

REVISION 0		DATE 8/25/2022		Southern Company Generation FOR <b>GEORGIA POWER COMPANY</b>	
ISSUED FOR PERMIT					
PLANT BOWEN CCR DISPOSAL FACILITY GENERAL SITE DEVELOPMENT CELL LAYOUT				SCALE	
				1"=200'	
				PROJ. I.D. 10207	
				DRAWING NUMBER <b>H-15063</b>	
				SHEET 1 OF 1	
				CONTD. 0	
				REV. 0	





- LEGEND:**
- ⊕ TOP OF ROCK BORING/TEMPORARY PIEZOMETER LOCATION
  - ⊗ SOIL BORING/TEMPORARY PIEZOMETER LOCATION
  - ⊙ DEEP BORING/TEMPORARY PIEZOMETER LOCATION
  - PROPERTY LINE
  - - - SITE BOUNDARY
  - 200' BUFFER
  - FAVORABLE/UNFAVORABLE AREA DELINEATION
  - - - EXCAVATION LAYOUT CONTROL
  - 50' EXISTING GROUND CONTOURS
  - 50' FINAL GRADE CONTOURS

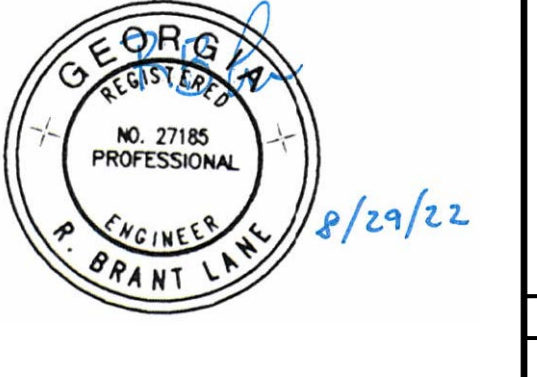
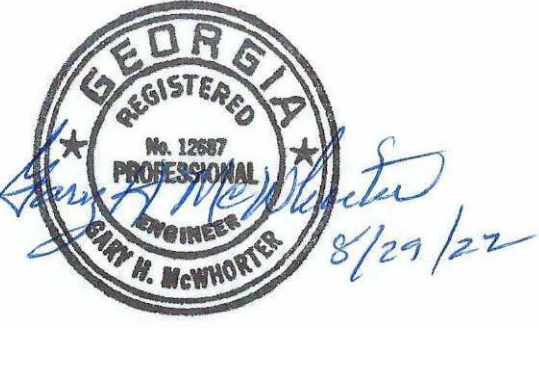
- EROSION CONTROL LEGEND**
- (Sd1) SILT FENCE (SEE H-15299)
  - (Di) DIVERSION (SEE H-15299)
  - (Dn1) TEMPORARY DOWNDRAIN (SEE H-15296)
  - (Lv) LEVEL SPREADER
  - (Ds3) DISTURBED AREA STABILIZATION (PERMANENT VEGETATION SEE H-15303)

**NOTES:**

- ALL EARTHEN STRUCTURES ARE ENGINEERED TO WITHSTAND A MAXIMUM HORIZONTAL ACCELERATION OF 0.22g.

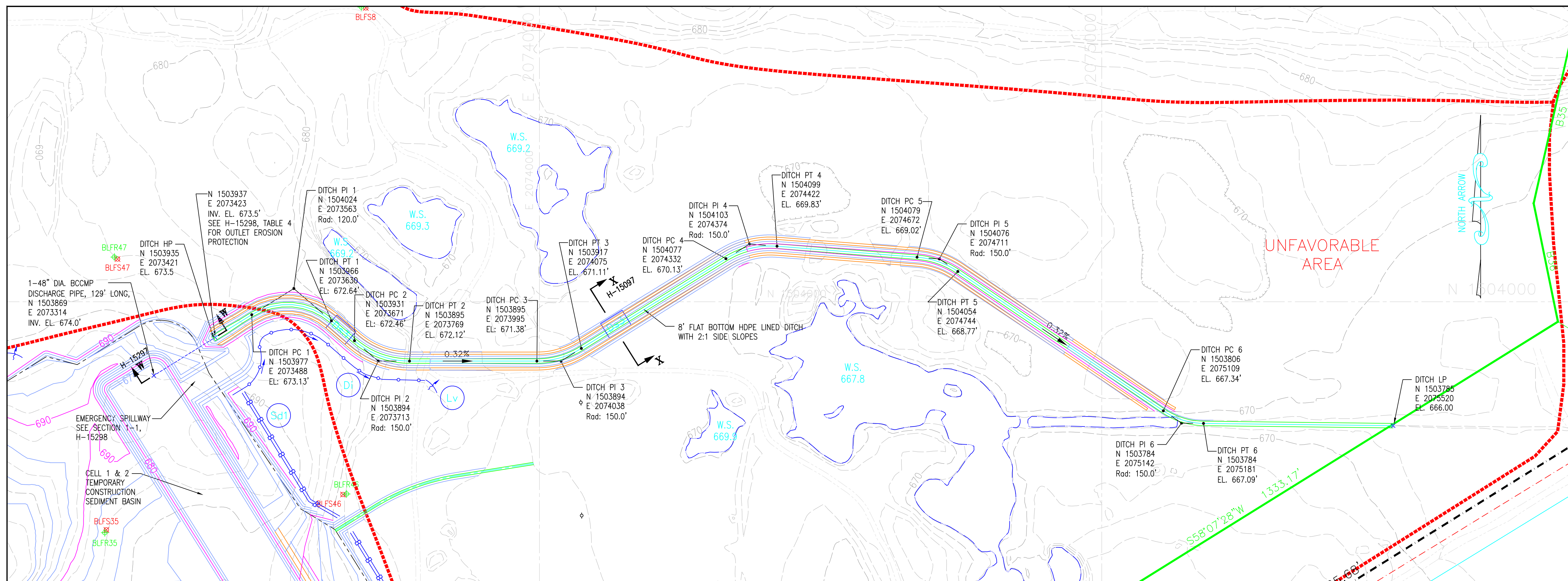
**REFERENCE DRAWINGS:**

- FOR A COMPLETE DRAWING LIST SEE SHEET H-15061.
- SEE SHEET H-15063 FOR GENERAL NOTES AND REFERENCES.
- H-15065 CELL 1 & 2 SITE DEVELOPMENT EXCAVATION PLAN SH.2

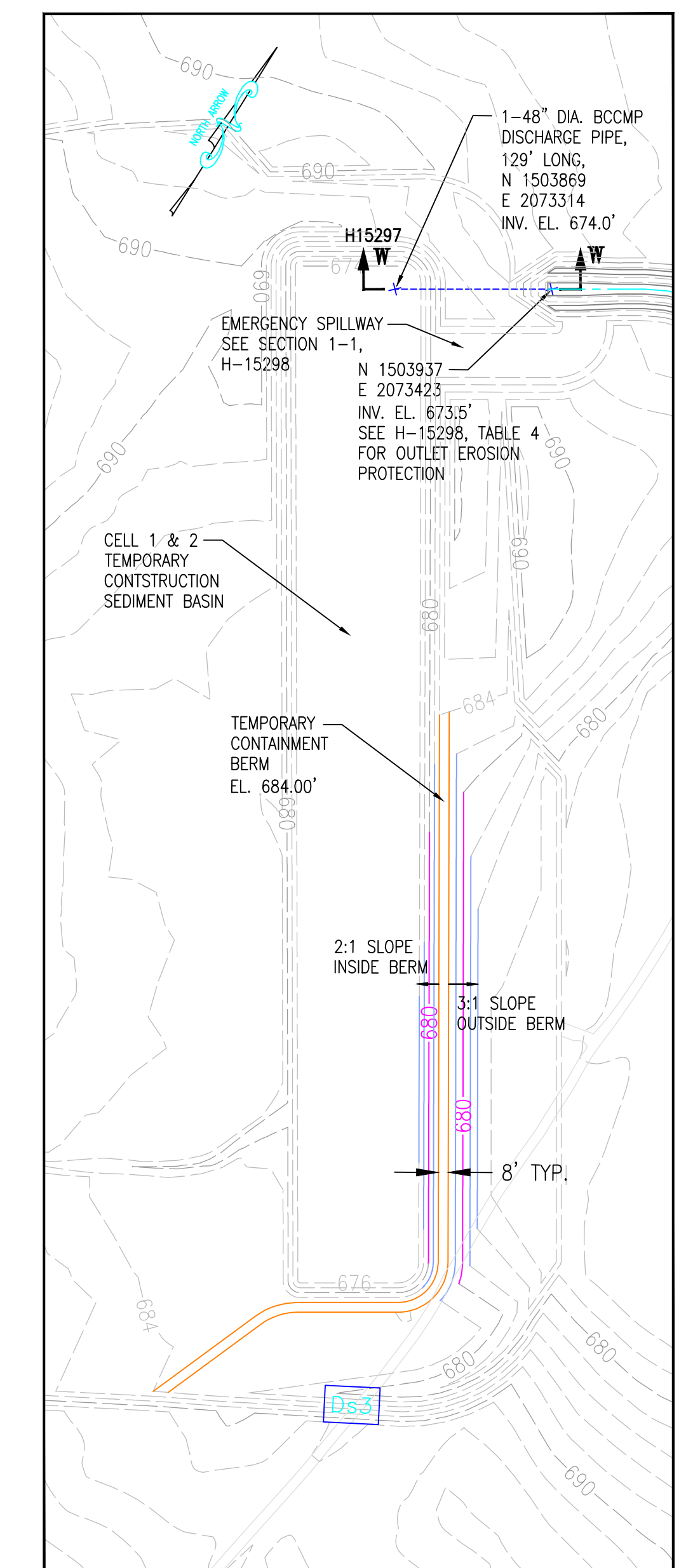


REVISION		DATE		REVISION		DATE		REVISION		DATE		Southern Company Generation FOR							
								0		8/25/2022		GEORGIA POWER COMPANY							
										ISSUED FOR PERMIT		PLANT BOWEN CCB DISPOSAL FACILITY CELL 1 & 2 SITE DEVELOPMENT EXCAVATION PLAN SHEET 1 OF 2							
BY	CHK'D	CIVL APPR	ELECT APPR	I/C APPR	MECH APPR	MGR APPR	BY	CHK'D	CIVL APPR	ELECT APPR	I/C APPR	MECH APPR	MGR APPR	SCALE	PROJ. I.D.	DRAWING NUMBER	SH	CONTD.	REV
							ANR	RBL						1"=100'	10207	H-15064	1	FINAL	0





**CELL No. 1 & 2 DRAINAGE DITCH**  
SCALE 1"= 100'



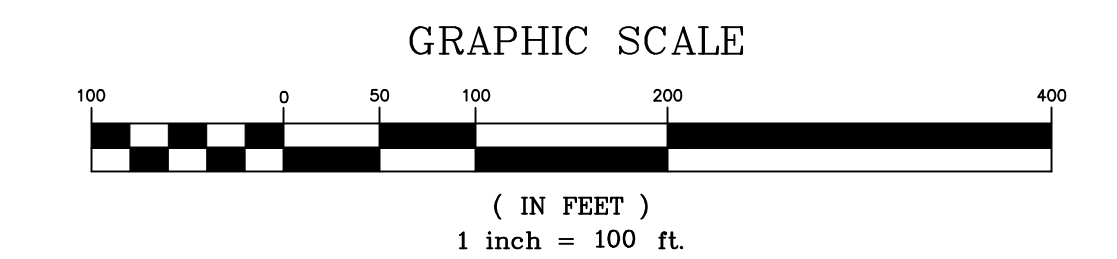
**TEMPORARY CONTAINMENT BERM**  
SCALE 1"= 100'

**LEGEND:**

- + TOP OF ROCK BORING/TEMPORARY PIEZOMETER LOCATION
- x SOIL BORING/TEMPORARY PIEZOMETER LOCATION
- x DEEP BORING/TEMPORARY PIEZOMETER LOCATION
- PROPERTY LINE
- SITE BOUNDARY
- 200' BUFFER
- FAVORABLE/UNFAVORABLE AREA DELINEATION
- EXCAVATION LAYOUT CONTROL
- EXISTING GROUND CONTOURS
- FINAL GRADE CONTOURS

**EROSION CONTROL LEGEND**

- Sd1 SILT FENCE (SEE H-15299)
- D1 DIVERSION (SEE H-15299)
- Dn1 TEMPORARY DOWNDRAIN (SEE H-15296)
- Lv LEVEL SPREADER
- Ds3 DISTURBED AREA STABILIZATION (PERMANENT VEGETATION SEE H-15303)

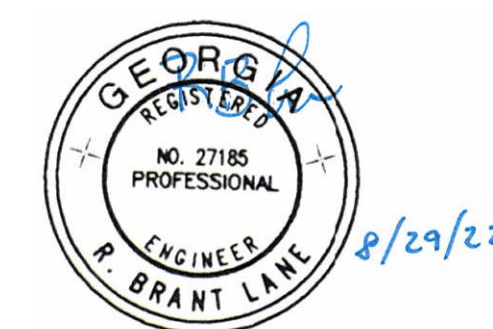
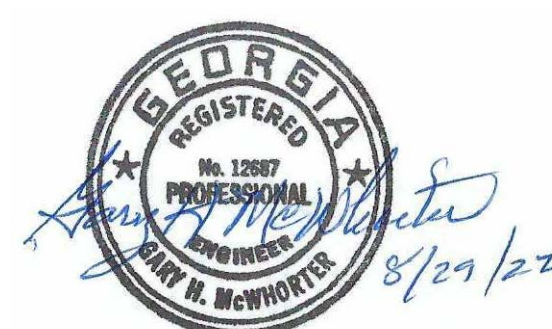


**NOTES:**

1. ALL EARTHEN STRUCTURES ARE ENGINEERED TO WITHSTAND A MAXIMUM HORIZONTAL ACCELERATION OF 0.22g.

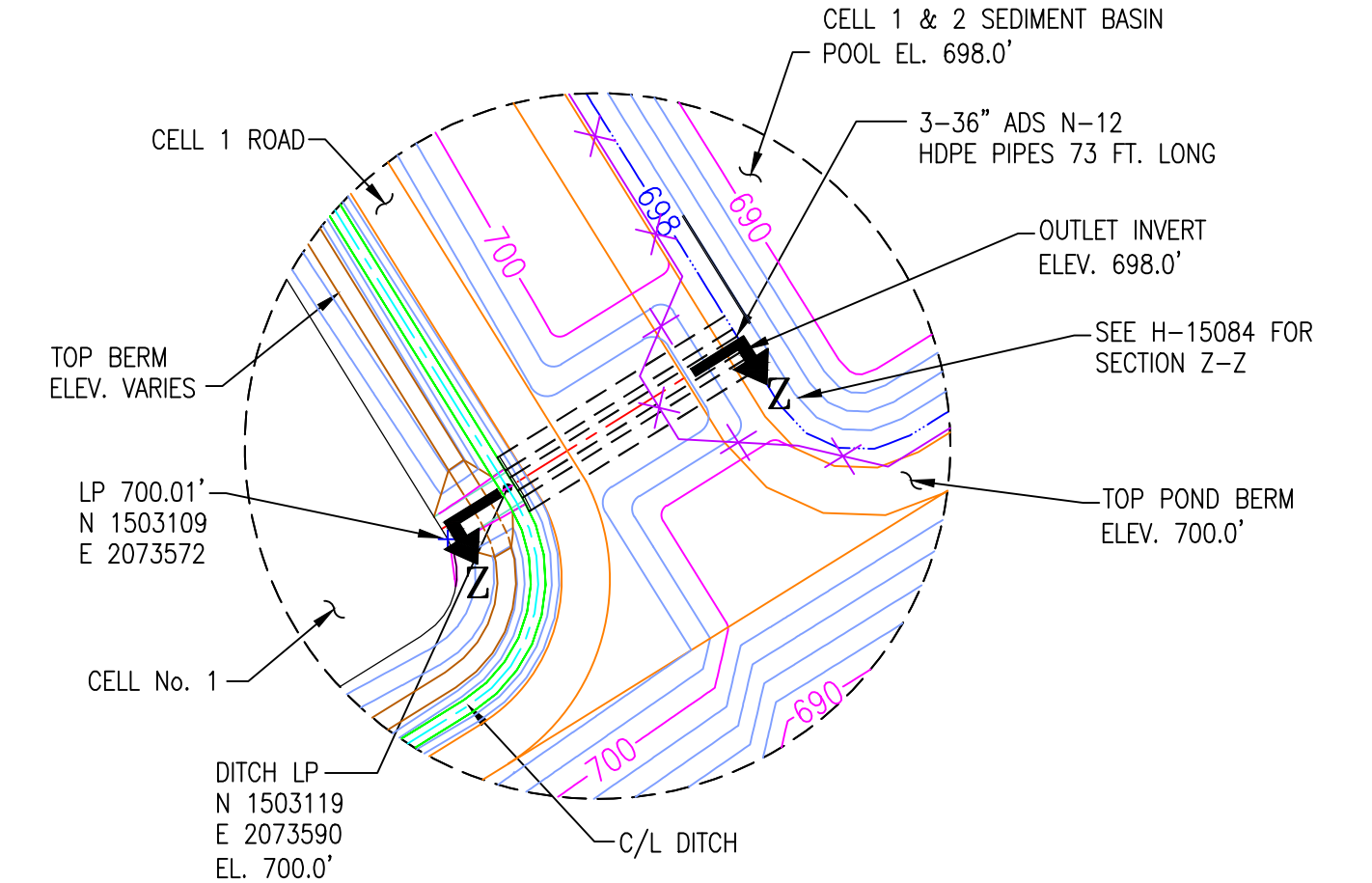
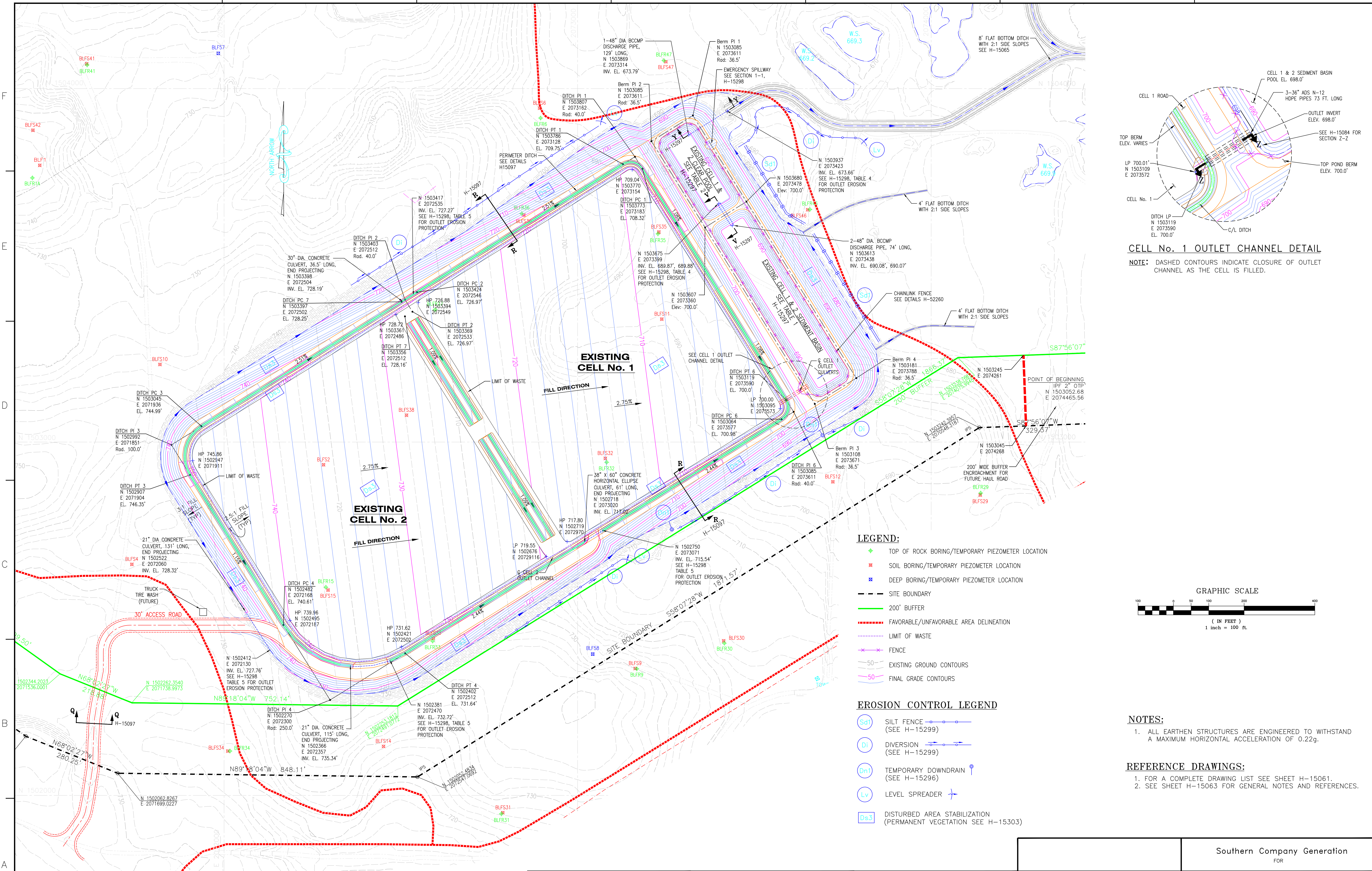
**REFERENCE DRAWINGS:**

1. FOR A COMPLETE DRAWING LIST SEE SHEET H-15061.
2. SEE SHEET H-15063 FOR GENERAL NOTES AND REFERENCES.
3. H-15064 CELL 1 & 2 SITE DEVELOPMENT EXCAVATION PLAN SH.1



Southern Company Generation FOR				<b>GEORGIA POWER COMPANY</b>			
PLANT BOWEN CCB DISPOSAL FACILITY CELL 1 & 2 SITE DEVELOPMENT EXCAVATION PLAN SHEET 2 OF 2							
REVISION		DATE		REVISION		DATE	
				0		8/25/2022	
ISSUED FOR PERMIT							
BY	CHK'D	CIVIL APPR	ELECT APPR	I/C APPR	MECH APPR	MGR APPR	
ANR	RBL						
SCALE		PROJ. I.D.		DRAWING NUMBER		SH. CONTD. REV.	
1"=100'		10207		<b>H-15065</b>		1 FINAL 0	

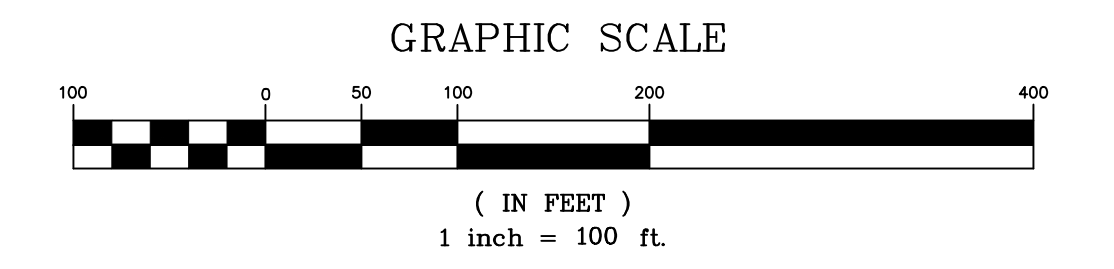




**CELL No. 1 OUTLET CHANNEL DETAIL**  
**NOTE:** DASHED CONTOURS INDICATE CLOSURE OF OUTLET CHANNEL AS THE CELL IS FILLED.

- LEGEND:**
- + TOP OF ROCK BORING/TEMPORARY PIEZOMETER LOCATION
  - x SOIL BORING/TEMPORARY PIEZOMETER LOCATION
  - x DEEP BORING/TEMPORARY PIEZOMETER LOCATION
  - - - SITE BOUNDARY
  - 200' BUFFER
  - - - FAVORABLE/UNFAVORABLE AREA DELINEATION
  - - - LIMIT OF WASTE
  - FENCE
  - - - EXISTING GROUND CONTOURS
  - - - FINAL GRADE CONTOURS

- EROSION CONTROL LEGEND**
- Sd1 SILT FENCE (SEE H-15299)
  - D1 DIVERSION (SEE H-15299)
  - Dn1 TEMPORARY DOWNDRAIN (SEE H-15296)
  - Lv LEVEL SPREADER
  - Ds3 DISTURBED AREA STABILIZATION (PERMANENT VEGETATION SEE H-15303)



- NOTES:**
- ALL EARTHEN STRUCTURES ARE ENGINEERED TO WITHSTAND A MAXIMUM HORIZONTAL ACCELERATION OF 0.22g.
- REFERENCE DRAWINGS:**
- FOR A COMPLETE DRAWING LIST SEE SHEET H-15061.
  - SEE SHEET H-15063 FOR GENERAL NOTES AND REFERENCES.

**GEORGIA**  
DEPARTMENT OF NATURAL RESOURCES  
Approved  
Solid Waste Management Program  
Approved By: Keith Stevens

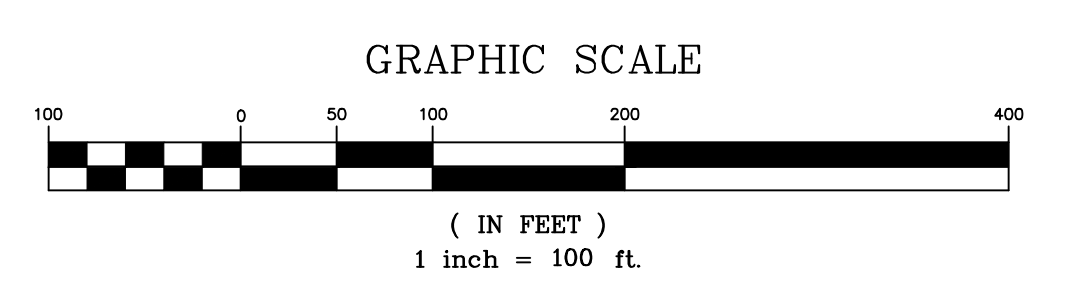
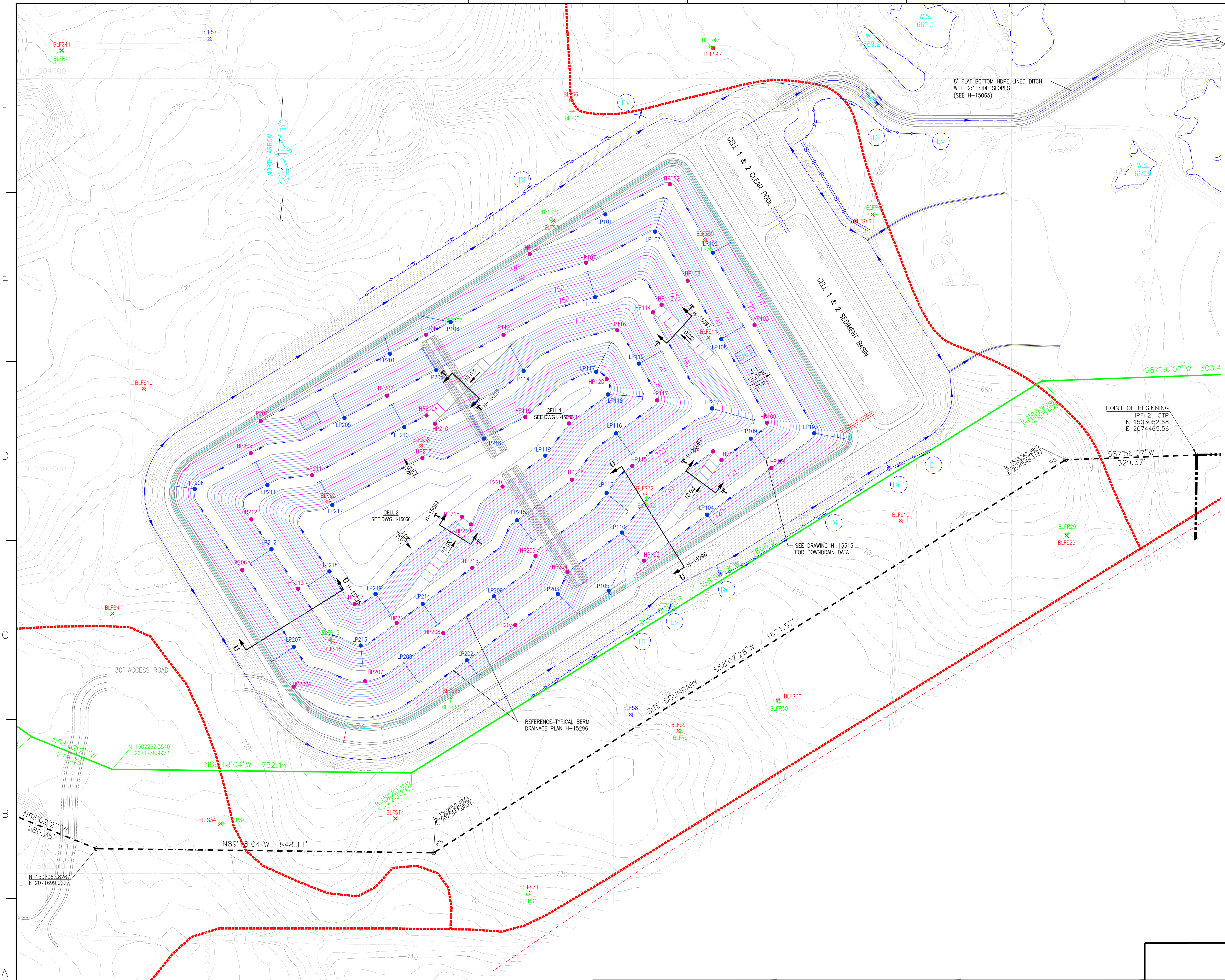
8/29/22

8/29/22

REVISION	DATE	REVISION	DATE	REVISION	DATE	REVISION	DATE
BY	CHK'D	CIVIL APPR	ELECT APPR	L/C APPR	MECH APPR	MGR APPR	

Southern Company Generation FOR		ISSUED FOR PERMIT	
<b>GEORGIA POWER COMPANY</b>		PLANT BOWEN CCR LANDFILL CELL 1 & 2 SITE DEVELOPMENT BASE GRADE PLAN	
SCALE	PROJ. I.D.	DRAWING NUMBER	SH. CONTS. REV.
1"=100'	10207	<b>H-15066</b>	1 FINAL 0





- LEGEND:**
- + TOP OF ROCK BORING/TEMPORARY PIEZOMETER LOCATION
  - x SOIL BORING/TEMPORARY PIEZOMETER LOCATION
  - x DEEP BORING/TEMPORARY PIEZOMETER LOCATION
  - - - SITE BOUNDARY
  - 200' BUFFER
  - - - FAVORABLE/UNFAVORABLE AREA DELINEATION
  - - - EXCAVATION LAYOUT CONTROL
  - FENCE
  - 50' EXISTING GROUND CONTOURS
  - 50' FINAL GRADE CONTOURS

- EROSION CONTROL LEGEND**
- (Sd1) SILT FENCE (SEE H-15299)
  - (Di) DIVERSION (SEE H-15299)
  - (Dn1) TEMPORARY DOWNDRAIN (SEE H-15296)
  - (Lv) LEVEL SPREADER
  - (Ds3) DISTURBED AREA STABILIZATION (PERMANENT VEGETATION SEE H-15303)
  - LP114 DRAINAGE LOW POINT WITH DOWNDRAIN NUMBER
  - HP110 DRAINAGE HIGH POINT/NUMBER

**NOTES:**

- ALL EARTHEN STRUCTURES ARE ENGINEERED TO WITHSTAND A MAXIMUM HORIZONTAL ACCELERATION OF 0.22g.

**REFERENCE DRAWINGS:**

- FOR A COMPLETE DRAWING LIST SEE SHEET H-15061.
- SEE SHEET H-15063 FOR GENERAL NOTES AND REFERENCES.

**GEORGIA**  
DEPARTMENT OF NATURAL RESOURCES  
Environmental Protection Division  
**Approved**  
Solid Waste Management Program  
Approved By: Keith Stevens

8/29/22

8/29/22

REVISION	DATE	REVISION	DATE	REVISION	DATE	REVISION	DATE
BY	CHK'D	CIVL APPR	ELECT APPR	I/C APPR	MECH APPR	MGR APPR	

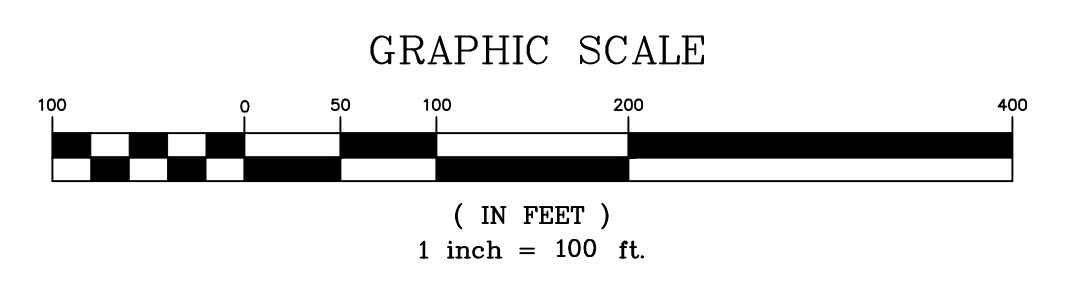
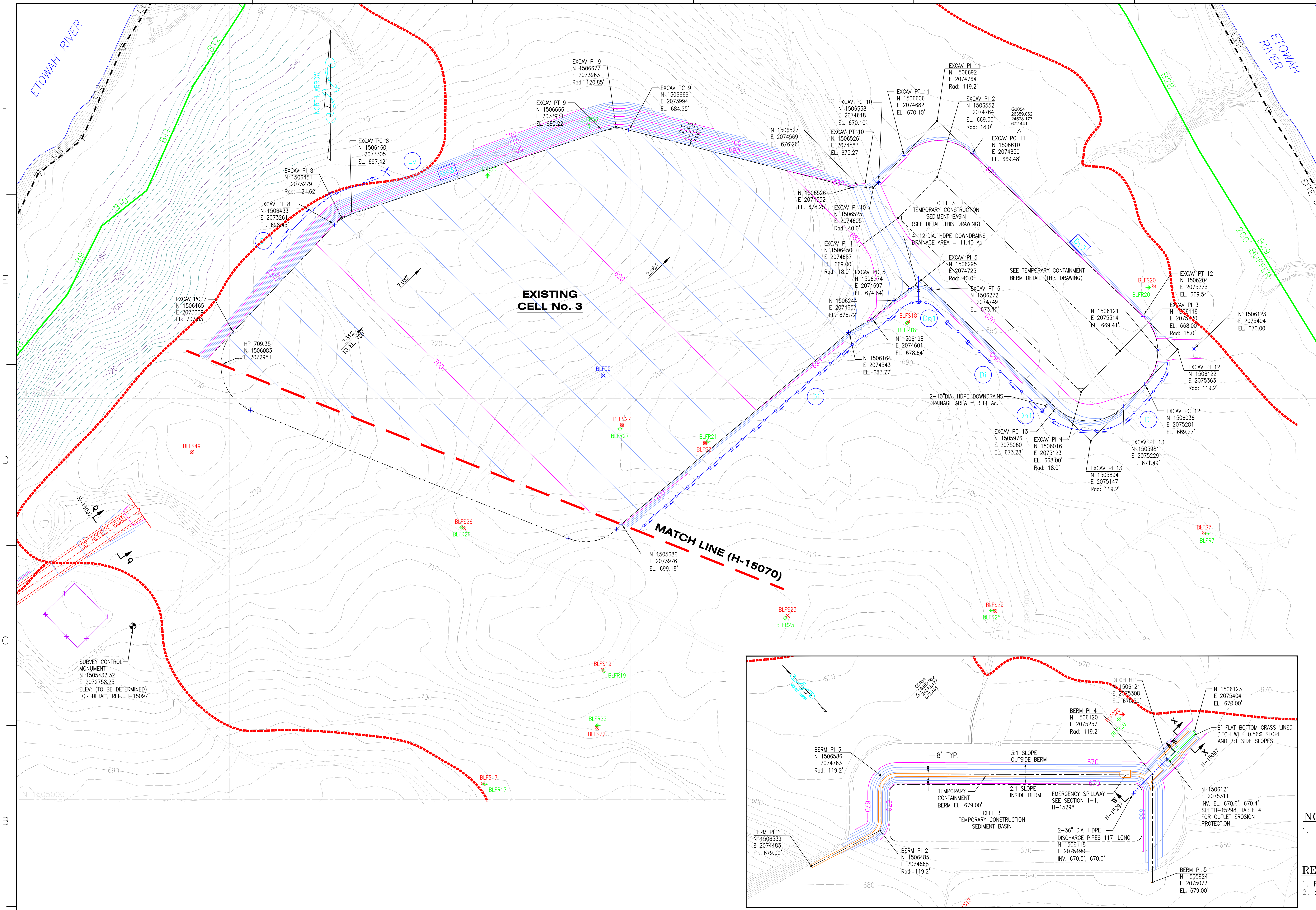
REVISION	0	DATE	8/25/2022
ISSUED FOR PERMIT			

Southern Company Generation  
FOR  
**GEORGIA POWER COMPANY**

PLANT BOWEN  
CCB DISPOSAL FACILITY  
CELL 1 & 2 FINAL STACKING PLAN

SCALE	PROJ. I.D.	DRAWING NUMBER	SH.	CONTD.	REV.
1"=100'	10207	<b>H-15067</b>	1	FINAL	0



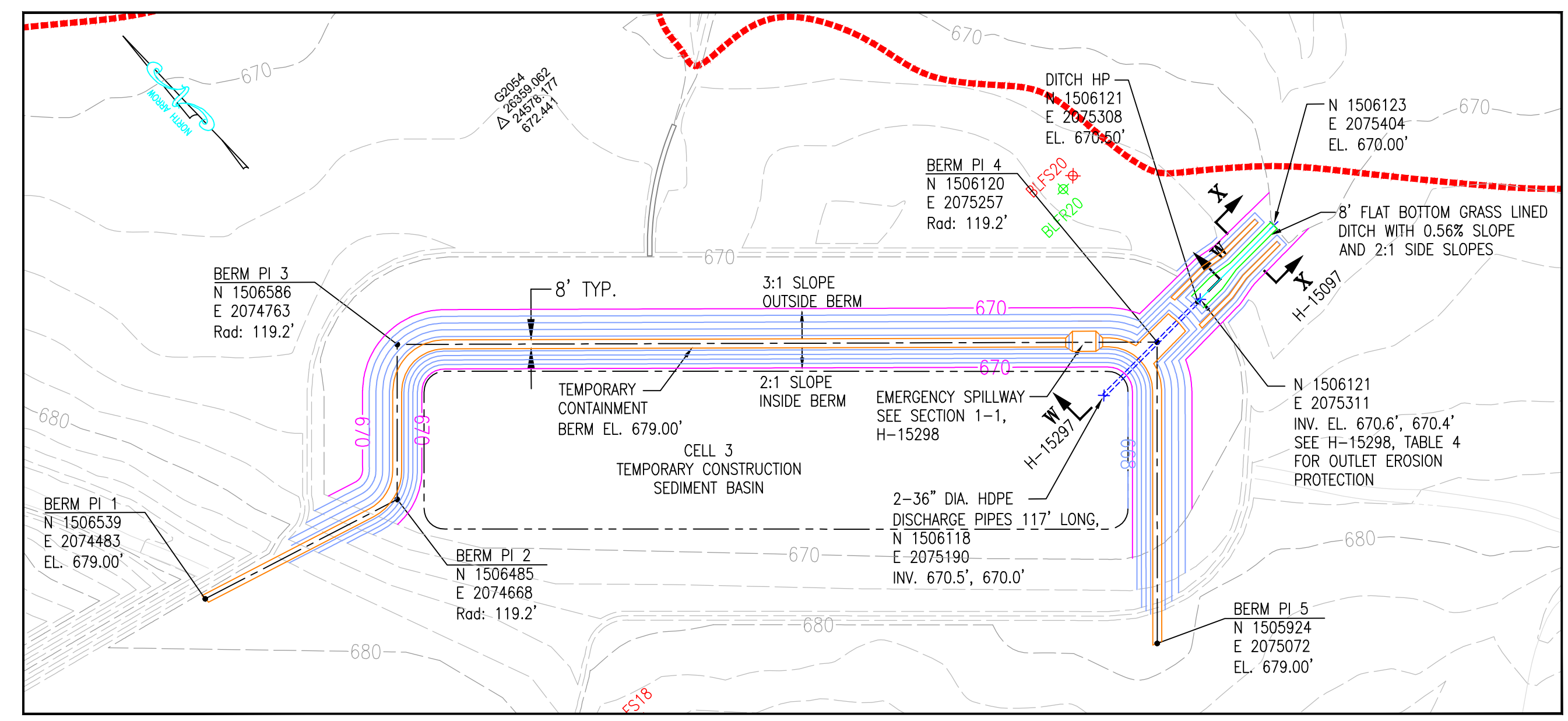


- LEGEND:**
- + TOP OF ROCK BORING/TEMPORARY PIEZOMETER LOCATION
  - x SOIL BORING/TEMPORARY PIEZOMETER LOCATION
  - x DEEP BORING/TEMPORARY PIEZOMETER LOCATION
  - - - SITE BOUNDARY
  - 200' BUFFER
  - FAVORABLE/UNFAVORABLE AREA DELINEATION
  - - - EXCAVATION LAYOUT CONTROL
  - x FENCE
  - 50' EXISTING GROUND CONTOURS
  - 50' FINAL GRADE CONTOURS

- EROSION CONTROL LEGEND**
- Sd1 SILT FENCE (SEE H-15299)
  - Di DIVERSION (SEE H-15299)
  - Dn1 TEMPORARY DOWNDRAIN (SEE H-15296)
  - Lv LEVEL SPREADER
  - Ds3 DISTURBED AREA STABILIZATION (PERMANENT VEGETATION, SEE H-15303)

- NOTES:**
- ALL EARTHEN STRUCTURES ARE ENGINEERED TO WITHSTAND A MAXIMUM HORIZONTAL ACCELERATION OF 0.22g.

- REFERENCE DRAWINGS:**
- FOR A COMPLETE DRAWING LIST SEE SHEET H-15061.
  - SEE SHEET H-15063 FOR GENERAL NOTES AND REFERENCES.



**TEMPORARY CONTAINMENT BERM**  
SCALE 1"=100'

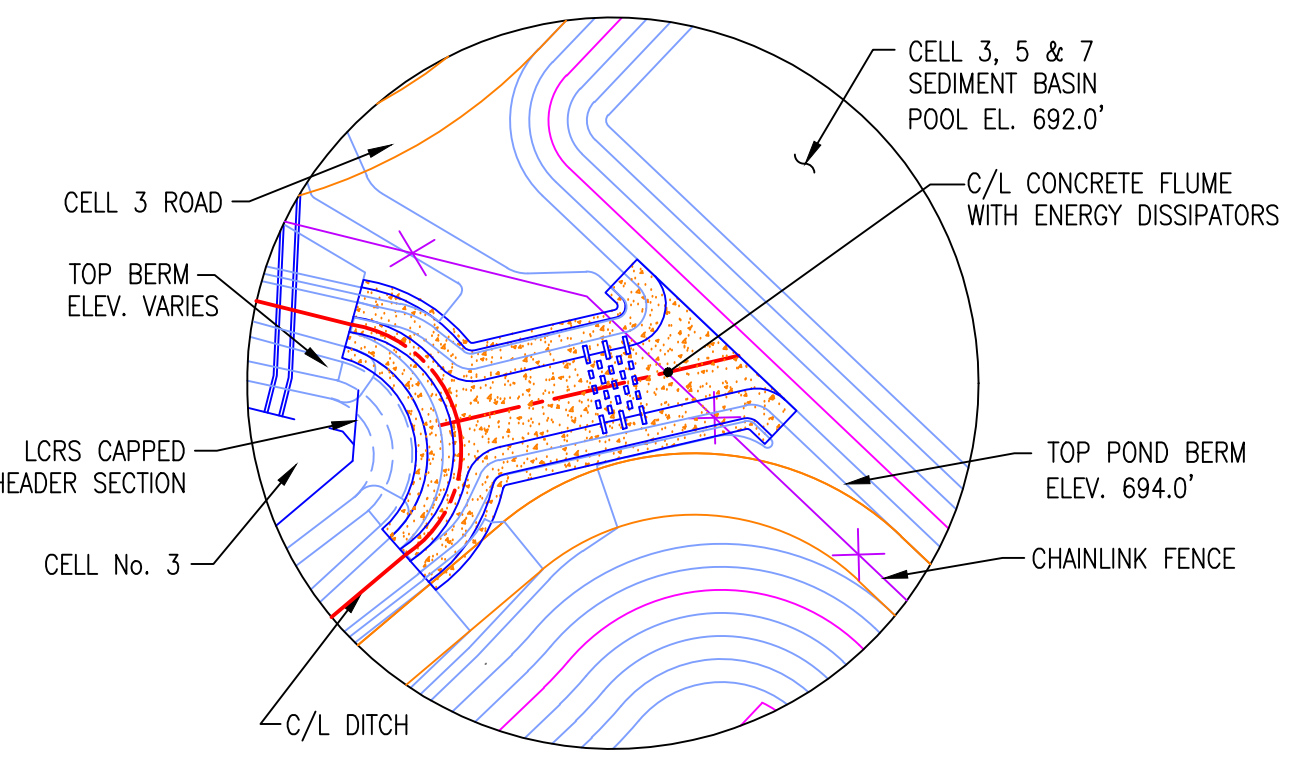
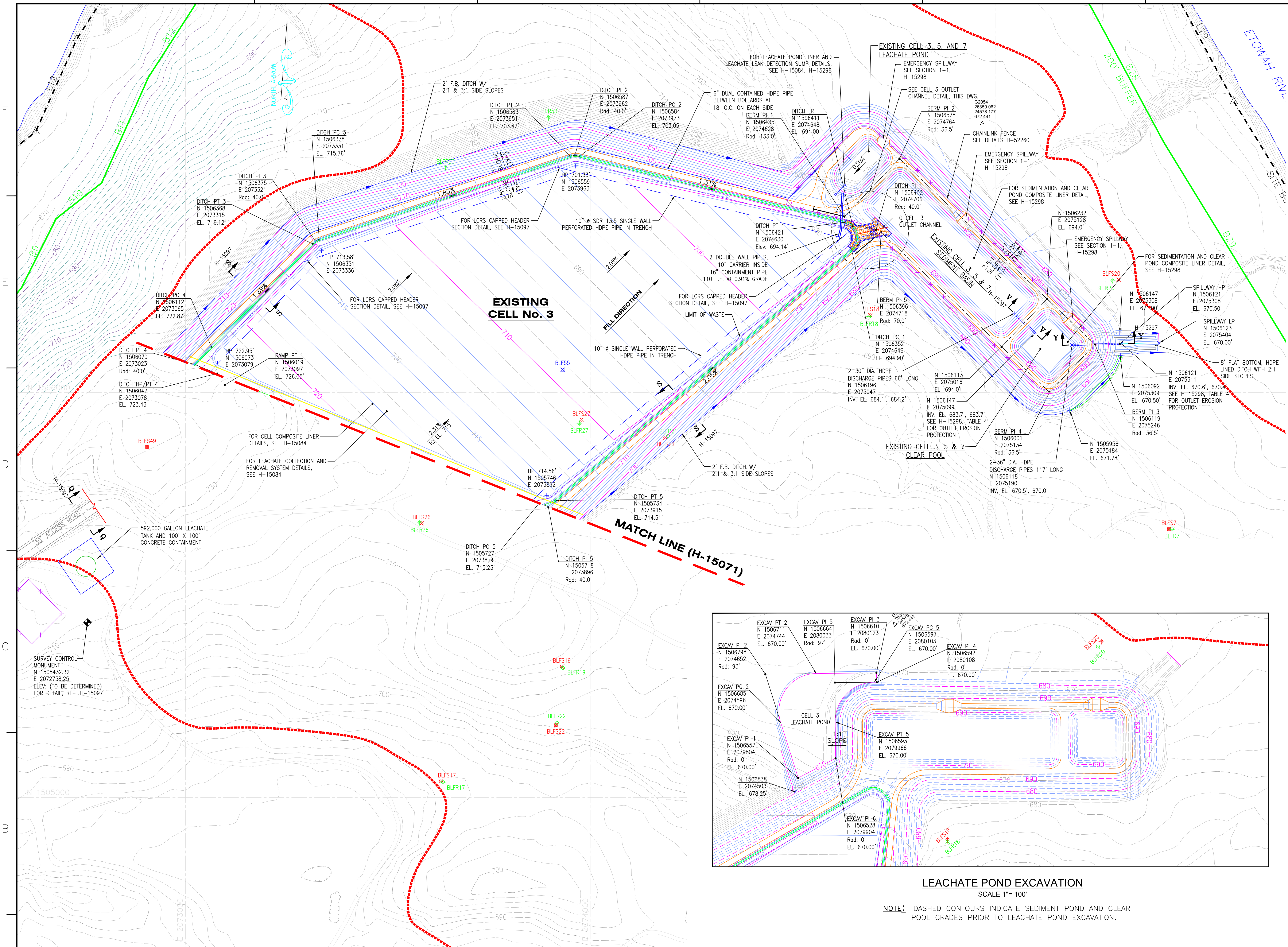
**Approved**  
Solid Waste Management Program  
Approved By: Keith Stevens

REVISION	DATE	REVISION	DATE	REVISION	DATE	REVISION	DATE
BY	CHK'D	CIVIL APPR	ELECT APPR	I/C APPR	MECH APPR	MGR APPR	

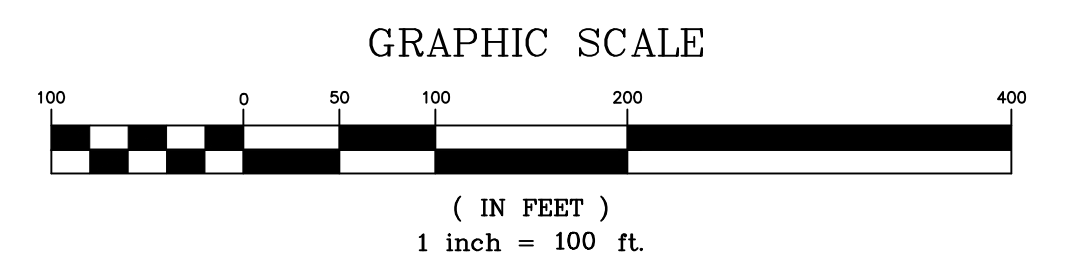
REVISION	0	DATE	8/25/2022
ISSUED FOR PERMIT			
BY	CHK'D	CIVIL APPR	ELECT APPR
ANR	RBL		

Southern Company Generation FOR	
<b>GEORGIA POWER COMPANY</b>	
PLANT BOWEN CCR LANDFILL CELL 3 SITE DEVELOPMENT EXCAVATION PLAN	
SCALE	1"=100'
PROJ. I.D.	10207
DRAWING NUMBER	<b>H-15068</b>
SH	1
CONTD.	
REV	FINAL





**CELL No. 3 OUTLET CHANNEL DETAIL**  
 NOTE: DASHED CONTOURS INDICATE CLOSURE OF OUTLET CHANNEL AS THE CELL IS FILLED.



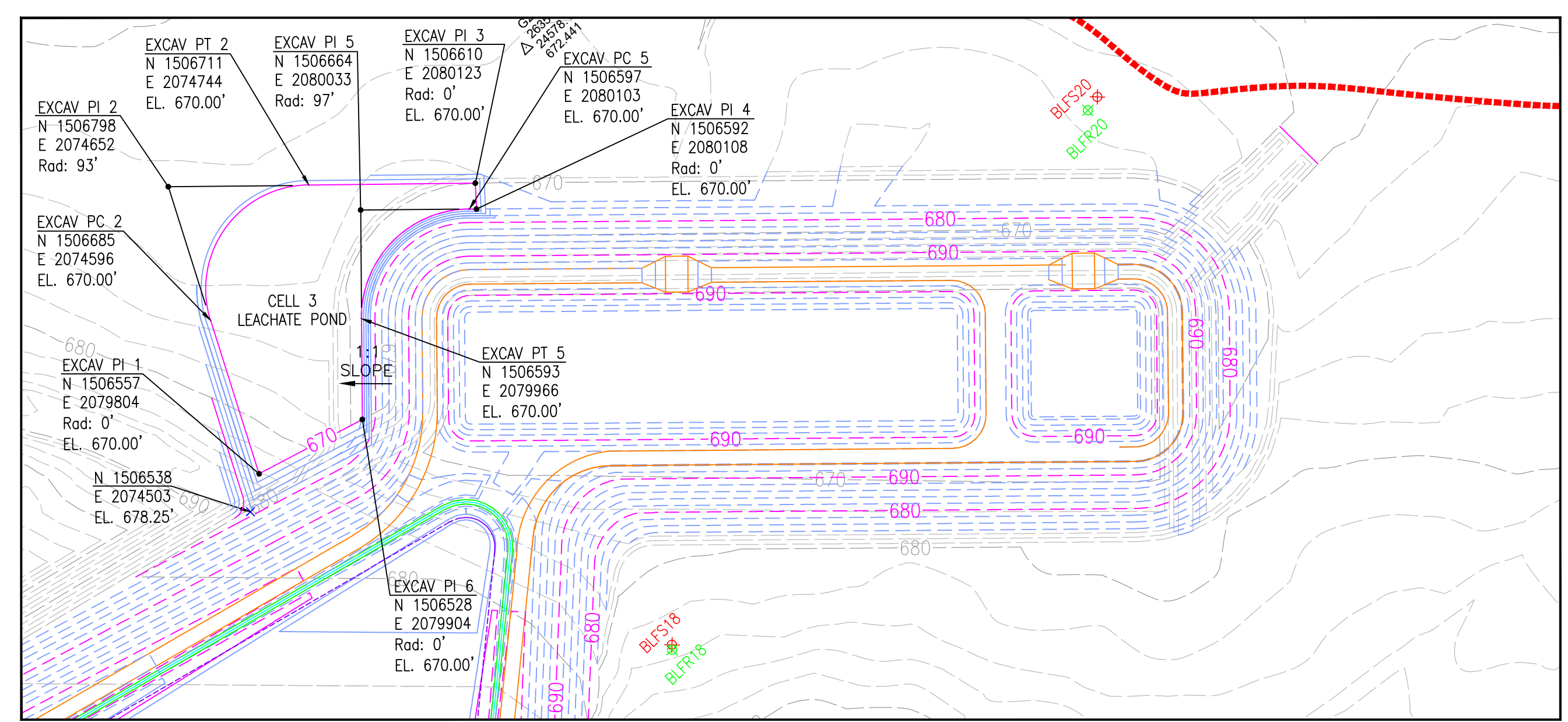
- LEGEND:**
- + TOP OF ROCK BORING/TEMPORARY PIEZOMETER LOCATION
  - x SOIL BORING/TEMPORARY PIEZOMETER LOCATION
  - x DEEP BORING/TEMPORARY PIEZOMETER LOCATION
  - - - SITE BOUNDARY
  - 200' BUFFER
  - FAVORABLE/UNFAVORABLE AREA DELINEATION
  - LIMIT OF WASTE
  - FENCE
  - 50' EXISTING GROUND CONTOURS
  - 50' FINAL GRADE CONTOURS
  - LCRS PIPES, 10"  $\phi$
- EROSION CONTROL LEGEND**
- Sd SILT FENCE (SEE H-15299)
  - D DIVERSION (SEE H-15299)
  - Dn TEMPORARY DOWNDRAIN (SEE H-15296)
  - Lv LEVEL SPREADER
  - Ds DISTURBED AREA STABILIZATION (PERMANENT VEGETATION, SEE H-15303)

**NOTES:**

- ALL EARTHEN STRUCTURES ARE ENGINEERED TO WITHSTAND A MAXIMUM HORIZONTAL ACCELERATION OF 0.22g.

**REFERENCE DRAWINGS:**

- FOR A COMPLETE DRAWING LIST SEE SHEET H-15061.
- SEE SHEET H-15063 FOR GENERAL NOTES AND REFERENCES.

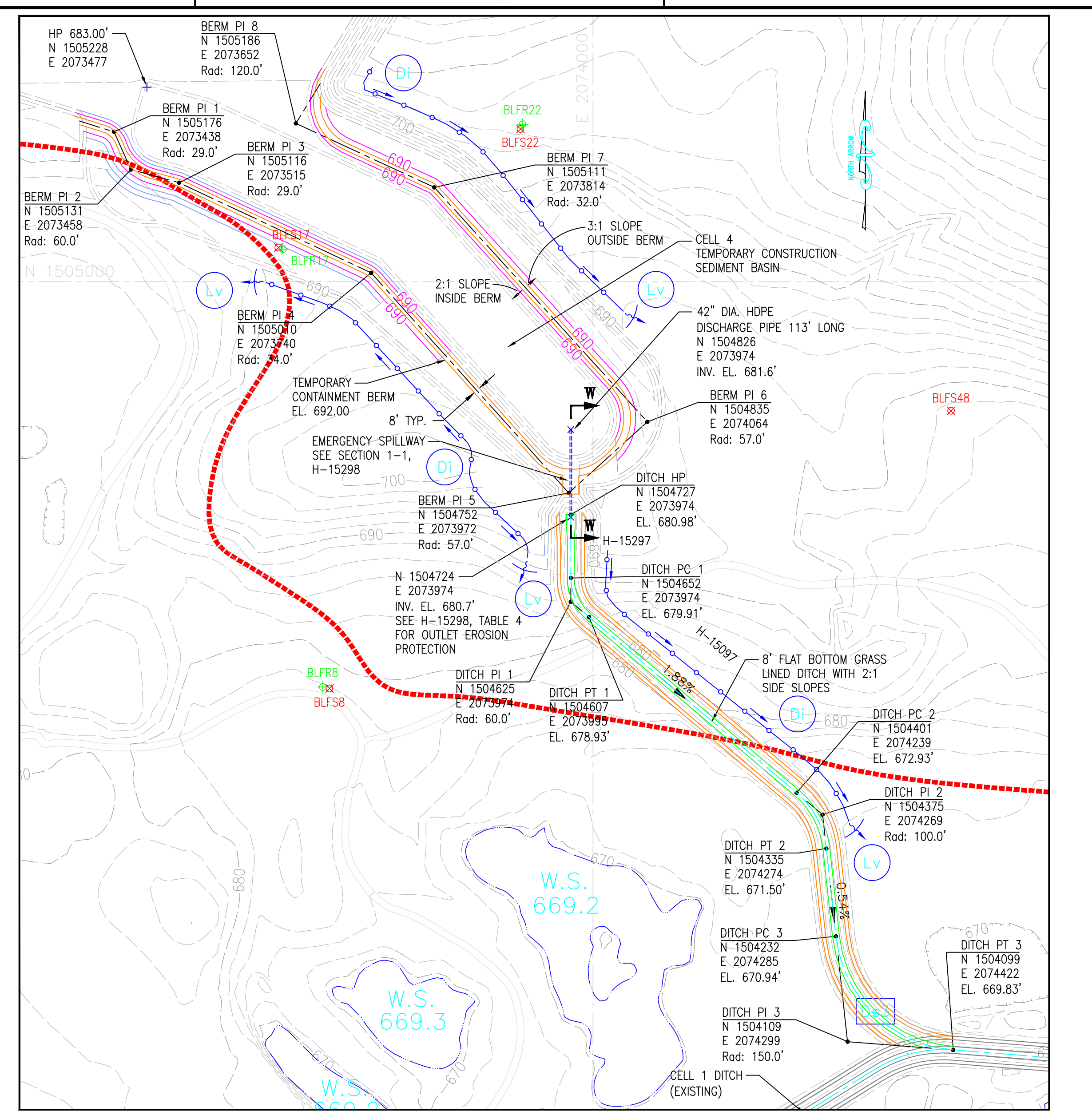
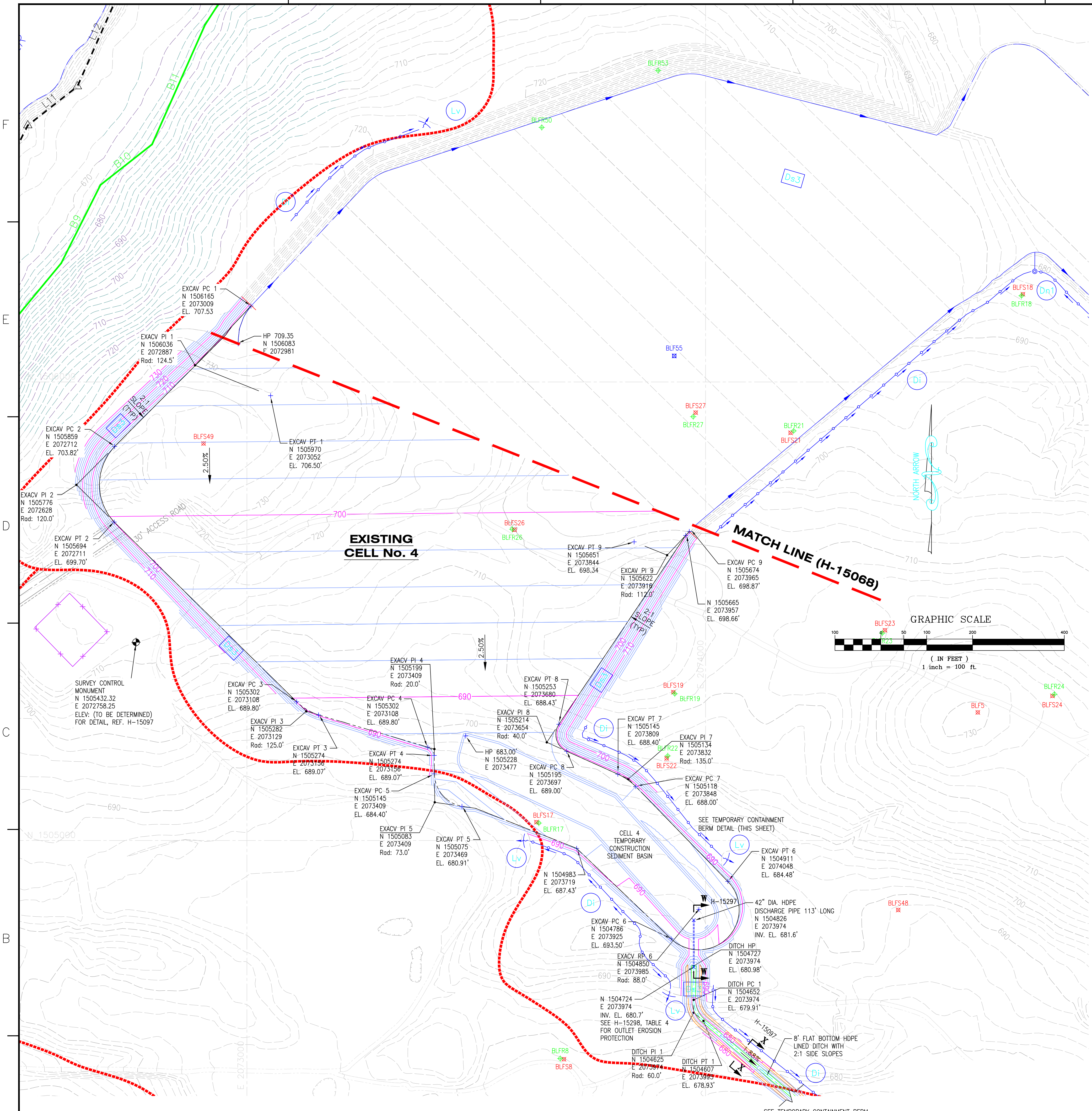


**LEACHATE POND EXCAVATION**  
 SCALE 1"=100'  
 NOTE: DASHED CONTOURS INDICATE SEDIMENT POND AND CLEAR POOL GRADES PRIOR TO LEACHATE POND EXCAVATION.

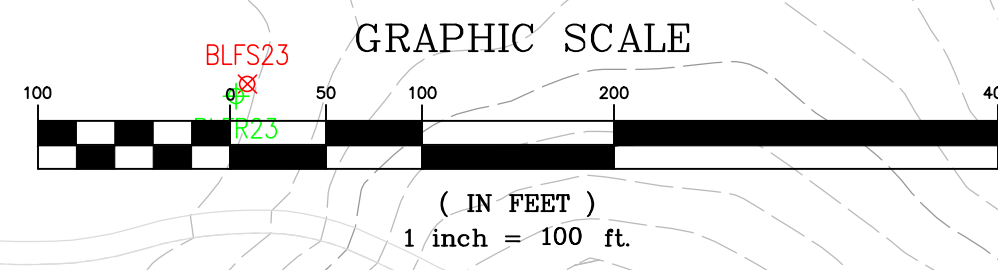
REVISION	DATE	REVISION	DATE	REVISION	DATE	REVISION	DATE
BY	CHK'D	CIVL APPR	ELECT APPR	I/C APPR	MECH APPR	MGR APPR	

REVISION 0		DATE 8/25/2022	
ISSUED FOR PERMIT			
Southern Company Generation FOR <b>GEORGIA POWER COMPANY</b>			
PLANT BOWEN CCR LANDFILL CELL 3 SITE DEVELOPMENT BASE GRADE PLAN			
SCALE	PROJ. I.D.	DRAWING NUMBER	SH. CONTD. REV.
1"=100'	10207	<b>H-15069</b>	1 FINAL 0





TEMPORARY CONTAINMENT BERM  
SCALE 1"=100'



**LEGEND:**

- ◆ TOP OF ROCK BORING/TEMPORARY PIEZOMETER LOCATION
- ✖ SOIL BORING/TEMPORARY PIEZOMETER LOCATION
- ⊠ DEEP BORING/TEMPORARY PIEZOMETER LOCATION
- - - SITE BOUNDARY
- 200' BUFFER
- FAVORABLE/UNFAVORABLE AREA DELINEATION
- - - EXCAVATION LAYOUT CONTROL
- FENCE
- - - EXISTING GROUND CONTOURS
- - - FINAL GRADE CONTOURS

**EROSION CONTROL LEGEND**

- (Sd) SILT FENCE (SEE H-15299)
- (Di) DIVERSION (SEE H-15299)
- (Bn) TEMPORARY DOWNDRAIN (SEE H-15296)
- (Lv) LEVEL SPREADER
- (Ds) DISTURBED AREA STABILIZATION (PERMANENT VEGETATION, SEE H-15303)
- LP308 DRAINAGE LOW POINT WITH DOWNDRAIN NUMBER
- HP307 DRAINAGE HIGH POINT WITH NUMBER

**NOTES:**

1. ALL EARTHEN STRUCTURES ARE ENGINEERED TO WITHSTAND A MAXIMUM HORIZONTAL ACCELERATION OF 0.22g.

**REFERENCE DRAWINGS:**

1. FOR A COMPLETE DRAWING LIST SEE SHEET H-15061.
2. SEE SHEET H-15063 FOR GENERAL NOTES AND REFERENCES.

**Approved**  
Solid Waste Management Program  
Approved By: Keith Stevens

REVISION	DATE	REVISION	DATE	REVISION	DATE

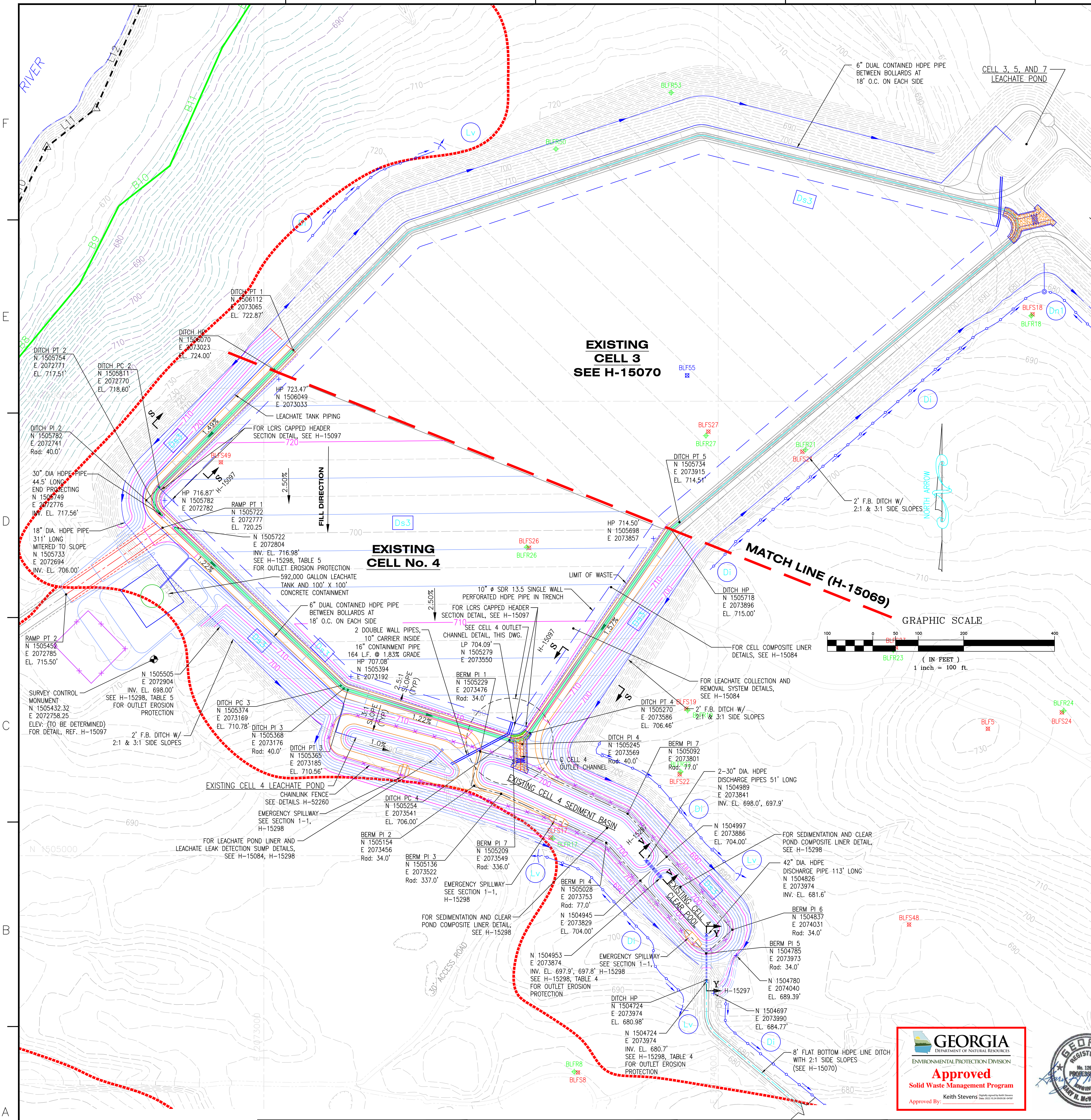
REVISION	0	DATE	8/25/2022
ISSUED FOR PERMIT			

Southern Company Generation  
FOR  
**GEORGIA POWER COMPANY**

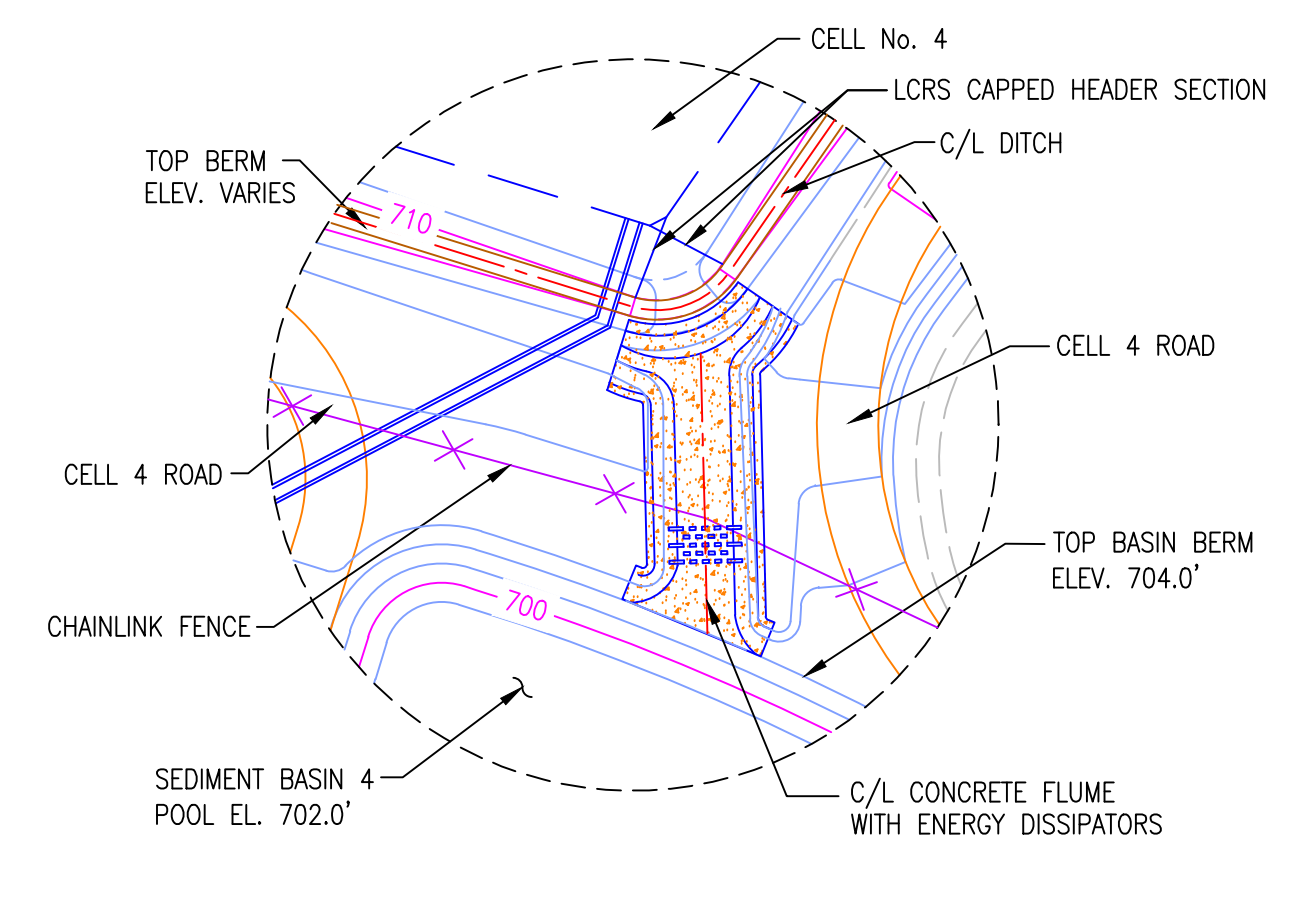
PLANT BOWEN  
CCR LANDFILL  
CELL 4 SITE DEVELOPMENT  
EXCAVATION PLAN

SCALE	PROJ. I.D.	DRAWING NUMBER	SH	CONTD.	REV
1"=100'	10207	<b>H-15070</b>	1	FINAL	0





- LEGEND:**
- ⊕ TOP OF ROCK BORING/TEMPORARY PIEZOMETER LOCATION
  - ⊗ SOIL BORING/TEMPORARY PIEZOMETER LOCATION
  - ⊗ DEEP BORING/TEMPORARY PIEZOMETER LOCATION
  - PROPERTY LINE
  - - - SITE BOUNDARY
  - 200' BUFFER
  - FAVORABLE/UNFAVORABLE AREA DELINEATION
  - LIMIT OF WASTE
  - FENCE
  - 50' EXISTING GROUND CONTOURS
  - 50' FINAL GRADE CONTOURS
  - LCRS PIPES, 10" Ø



**CELL No. 4 OUTLET CHANNEL DETAIL**  
 NOTE: DASHED CONTOURS INDICATE CLOSURE OF OUTLET CHANNEL AS THE CELL IS FILLED.

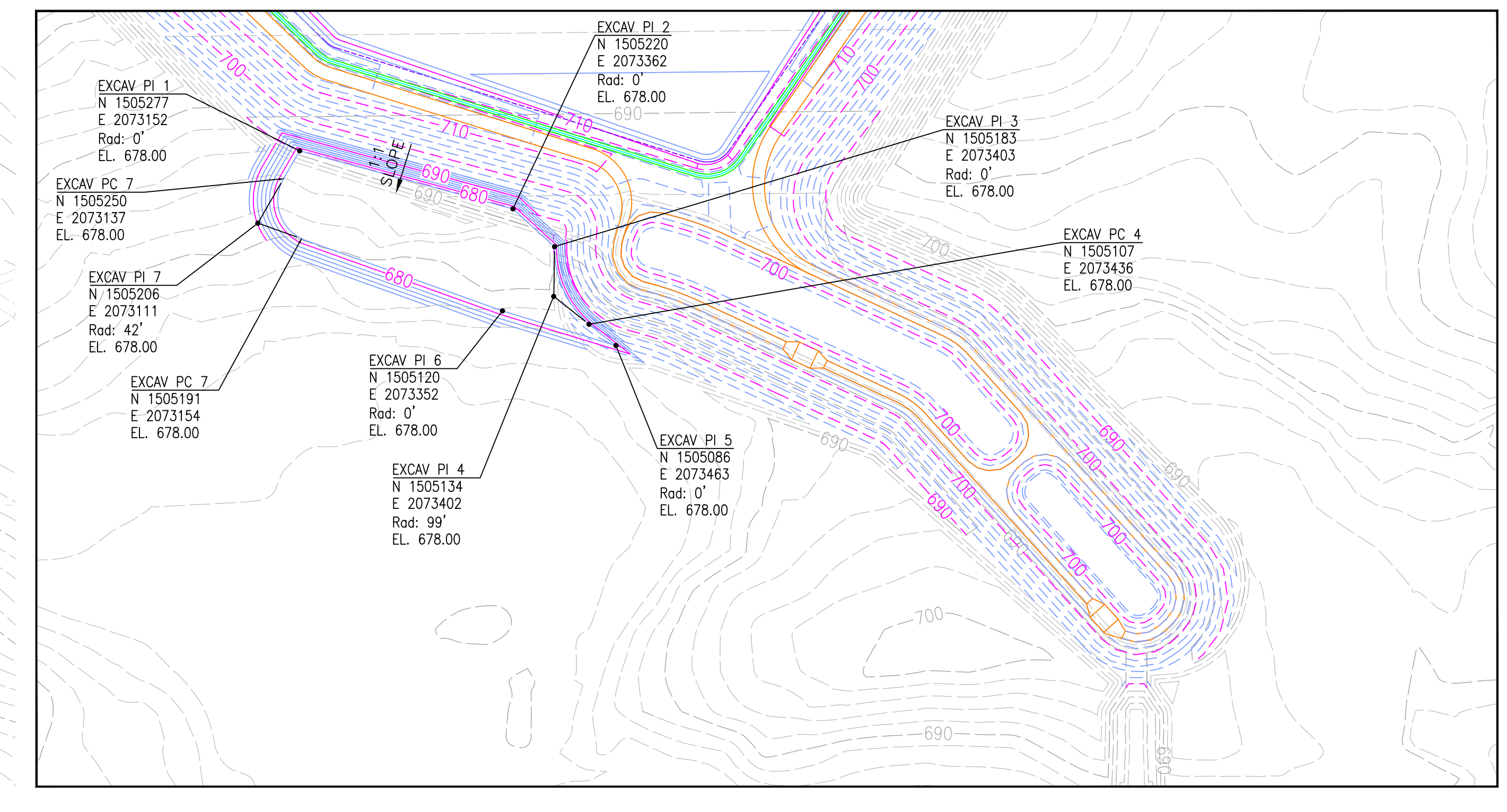
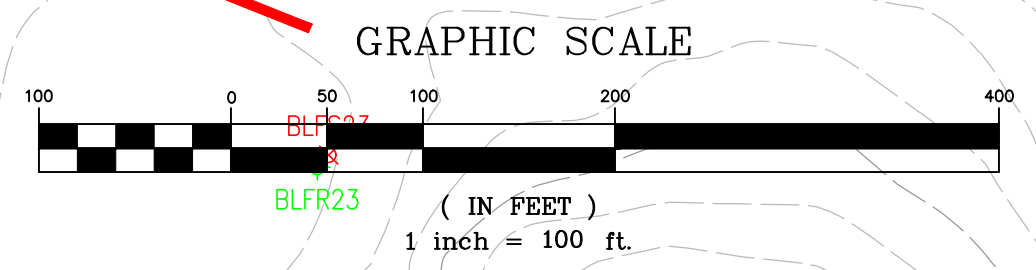
- EROSION CONTROL LEGEND**
- (Sd1) SILT FENCE (SEE H-15299)
  - (Di) DIVERSION (SEE H-15299)
  - (Dni) TEMPORARY DOWNDRAIN (SEE H-15296)
  - (Lv) LEVEL SPREADER
  - (Ds3) DISTURBED AREA STABILIZATION (PERMANENT VEGETATION SEE H-15303)
  - LP114 DRAINAGE LOW POINT WITH DOWNDRAIN NUMBER
  - HP110 DRAINAGE HIGH POINT WITH NUMBER

**NOTES:**

- ALL EARTHEN STRUCTURES ARE ENGINEERED TO WITHSTAND A MAXIMUM HORIZONTAL ACCELERATION OF 0.22g.

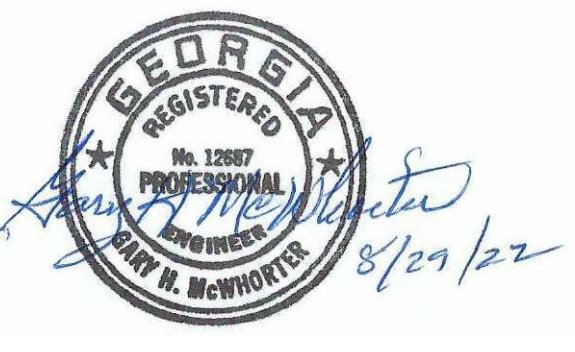
**REFERENCE DRAWINGS:**

- FOR A COMPLETE DRAWING LIST SEE SHEET H-15061.
- SEE SHEET H-15063 FOR GENERAL NOTES AND REFERENCES.



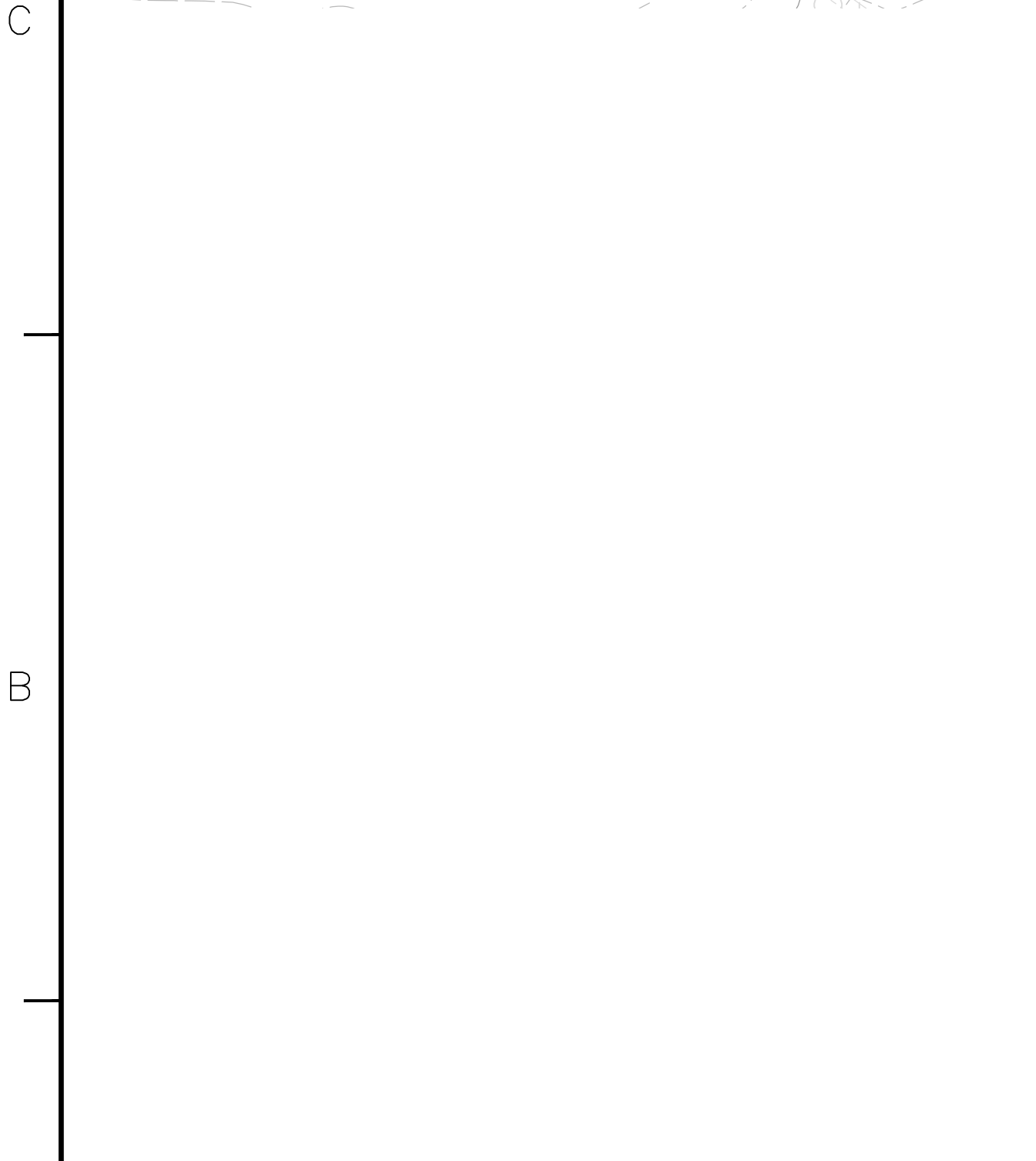
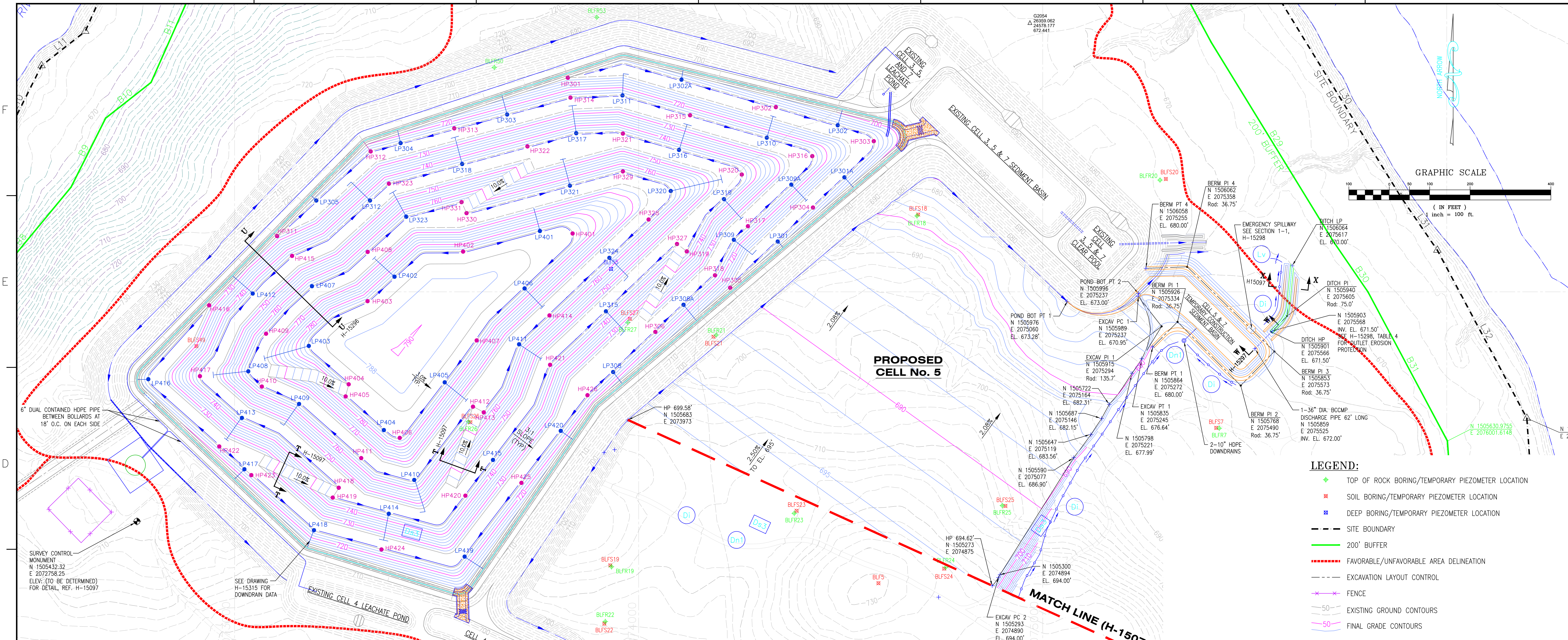
**LEACHATE POND EXCAVATION**  
 SCALE 1"=100'

NOTE: DASHED CONTOURS INDICATE SEDIMENT POND AND CLEAR POOL GRADES PRIOR TO LEACHATE POND EXCAVATION.



REVISION		DATE	REVISION		DATE	REVISION		DATE	REVISION		DATE	REVISION		DATE	REVISION		DATE	REVISION		DATE									
BY	CHK'D		BY	CHK'D		BY	CHK'D		BY	CHK'D		BY	CHK'D		BY	CHK'D		BY	CHK'D										
CIVL APPR	ELECT APPR	L/C APPR	CIVL APPR	ELECT APPR	L/C APPR	CIVL APPR	ELECT APPR	L/C APPR	CIVL APPR	ELECT APPR	L/C APPR	CIVL APPR	ELECT APPR	L/C APPR	CIVL APPR	ELECT APPR	L/C APPR	CIVL APPR	ELECT APPR	L/C APPR									
												REVISION	0	DATE	8/25/2022														
												ISSUED FOR PERMIT																	
														<b>Southern Company Generation</b> FOR <b>GEORGIA POWER COMPANY</b> PLANT BOWEN CCR LANDFILL CELL 4 SITE DEVELOPMENT BASE GRADE PLAN															
												SCALE	1"=100'	PROJ. I.D.	10207	DRAWING NUMBER	<b>H-15071</b>	SH	1	CONTD.		REV	0						
												ANR	RBL																





REVISION	DATE	REVISION	DATE	REVISION	DATE	REVISION	DATE	REVISION	DATE

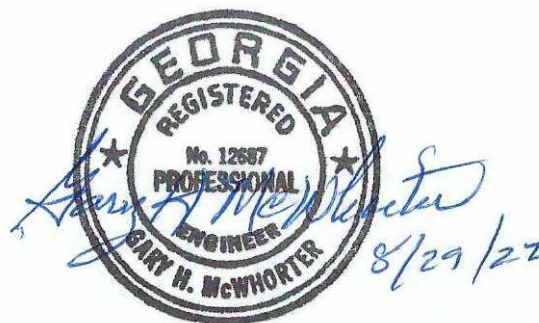
BY	CHK'D	CIVL APPR	ELECT APPR	L/C APPR	MECH APPR	MGR APPR	BY	CHK'D	CIVL APPR	ELECT APPR	L/C APPR	MECH APPR	MGR APPR	BY	CHK'D	CIVL APPR	ELECT APPR	L/C APPR	MECH APPR	MGR APPR	BY	CHK'D	CIVL APPR	ELECT APPR	L/C APPR	MECH APPR	MGR APPR

Southern Company Generation  
FOR  
**GEORGIA POWER COMPANY**

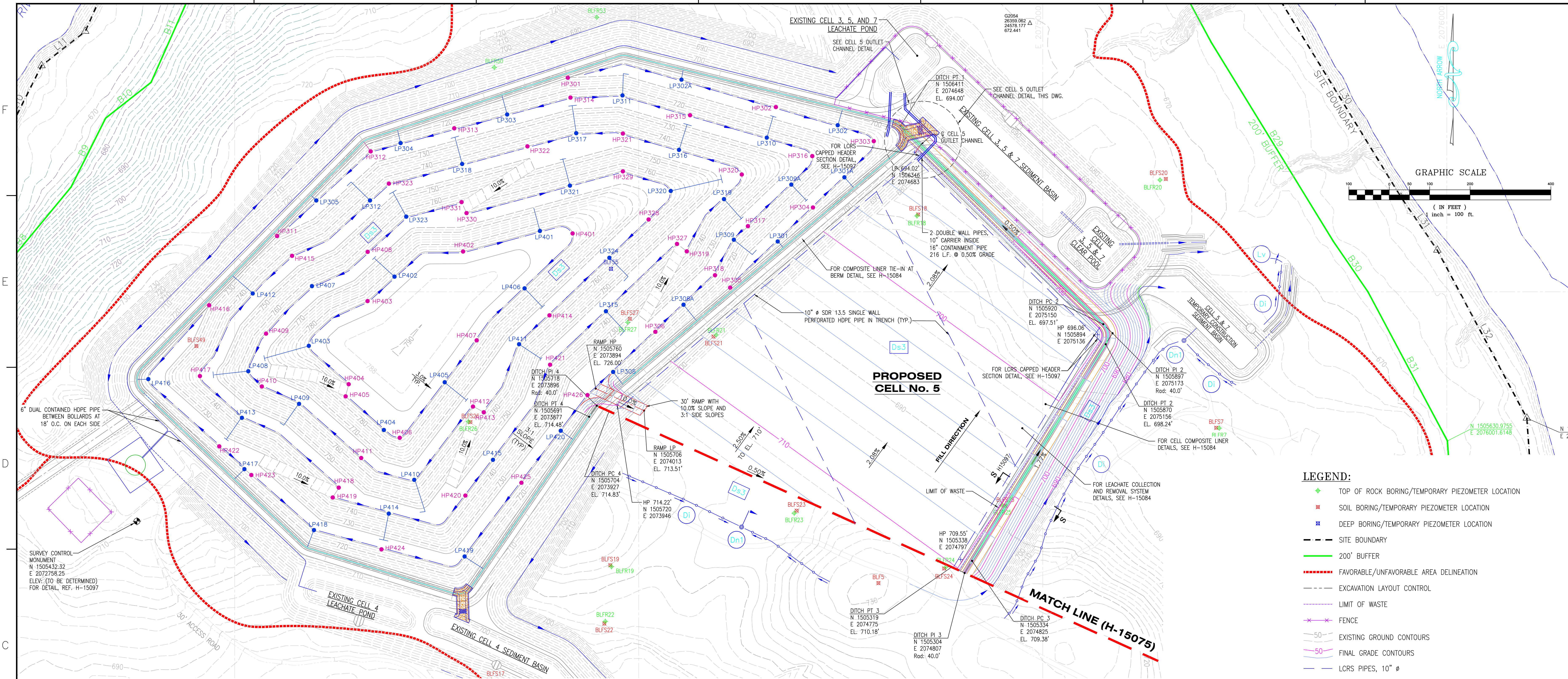
PLANT BOWEN  
CCR LANDFILL  
CELL 5 SITE DEVELOPMENT  
EXCAVATION PLAN

ISSUED FOR PERMIT

SCALE: 1"=100'  
PROJ. I.D.: 10207  
DRAWING NUMBER: **H-15072**  
SH: 1  
CONTD: FINAL  
REV: 0







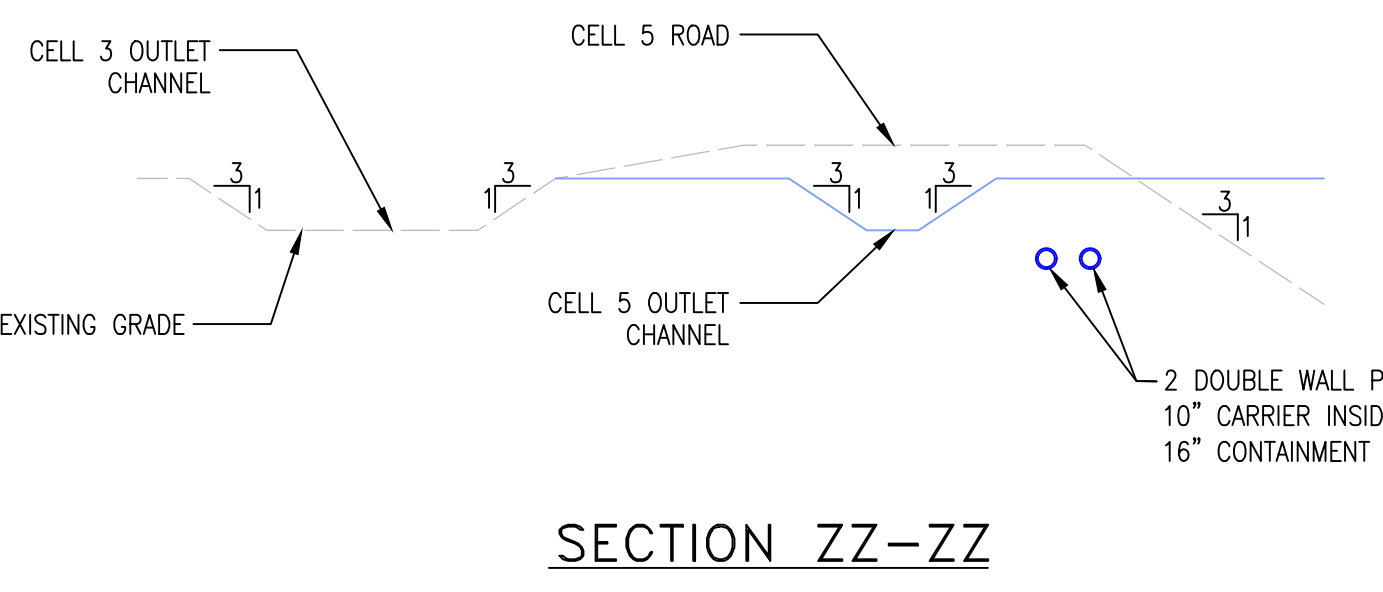
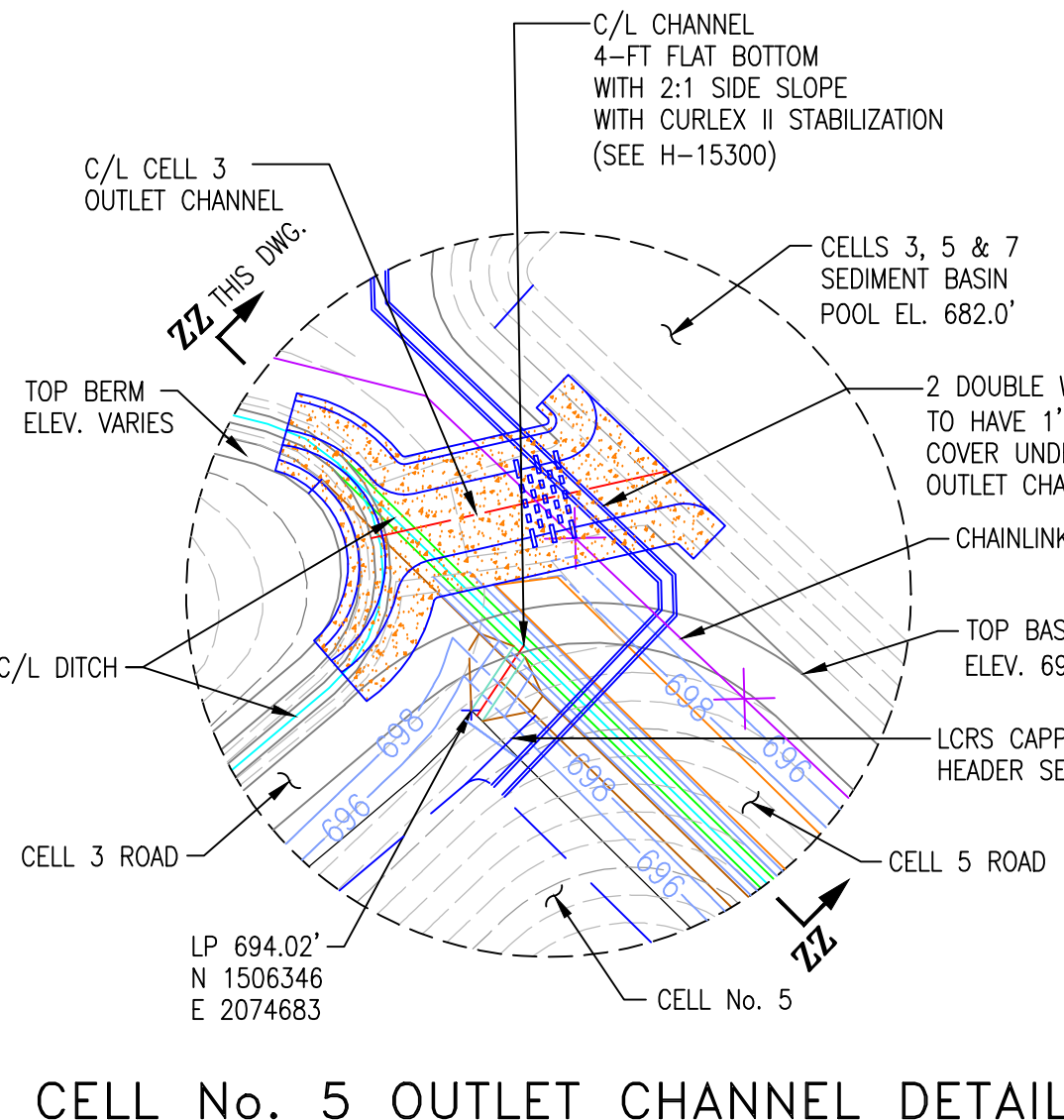
- LEGEND:**
- ◆ TOP OF ROCK BORING/TEMPORARY PIEZOMETER LOCATION
  - ✕ SOIL BORING/TEMPORARY PIEZOMETER LOCATION
  - ⊠ DEEP BORING/TEMPORARY PIEZOMETER LOCATION
  - - - SITE BOUNDARY
  - 200' BUFFER
  - FAVORABLE/UNFAVORABLE AREA DELINEATION
  - - - EXCAVATION LAYOUT CONTROL
  - - - LIMIT OF WASTE
  - FENCE
  - EXISTING GROUND CONTOURS
  - FINAL GRADE CONTOURS
  - LCRS PIPES, 10" Ø
- EROSION CONTROL LEGEND**
- (Sd1) SILT FENCE (SEE H-15299)
  - (Di) DIVERSION (SEE H-15299)
  - (Dn1) TEMPORARY DOWNDRAIN (SEE H-15296)
  - (Lv) LEVEL SPREADER
  - (Ds3) DISTURBED AREA STABILIZATION (PERMANENT VEGETATION SEE H-15303)
  - LP114 DRAINAGE LOW POINT WITH DOWNDRAIN NUMBER
  - HP110 DRAINAGE HIGH POINT/NUMBER

**NOTES:**

- ALL EARTHEN STRUCTURES ARE ENGINEERED TO WITHSTAND A MAXIMUM HORIZONTAL ACCELERATION OF 0.22g.

**REFERENCE DRAWINGS:**

- FOR A COMPLETE DRAWING LIST SEE SHEET H-15061.
- SEE SHEET H-15063 FOR GENERAL NOTES AND REFERENCES.



**Approved**  
Solid Waste Management Program  
Keith Stevens

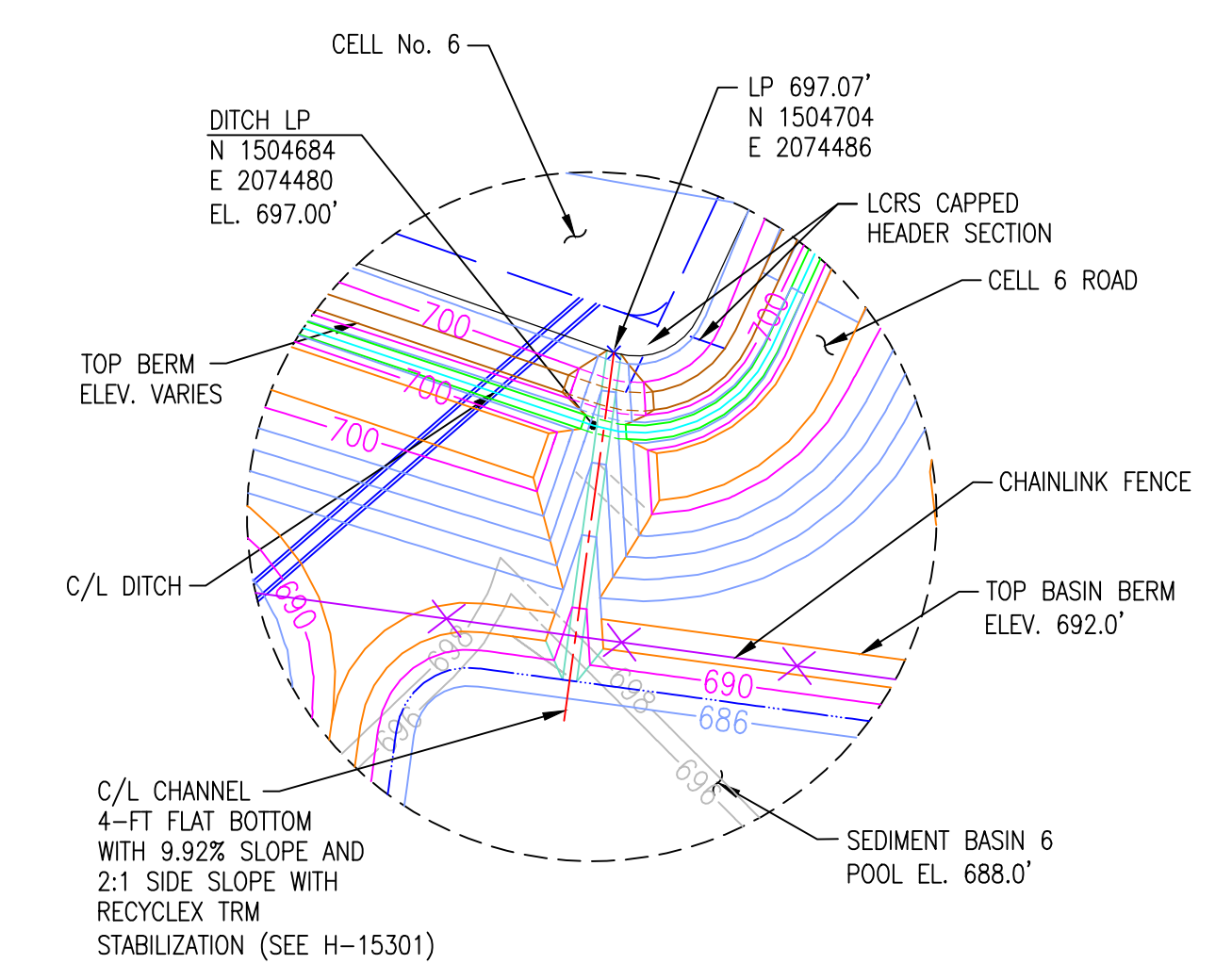
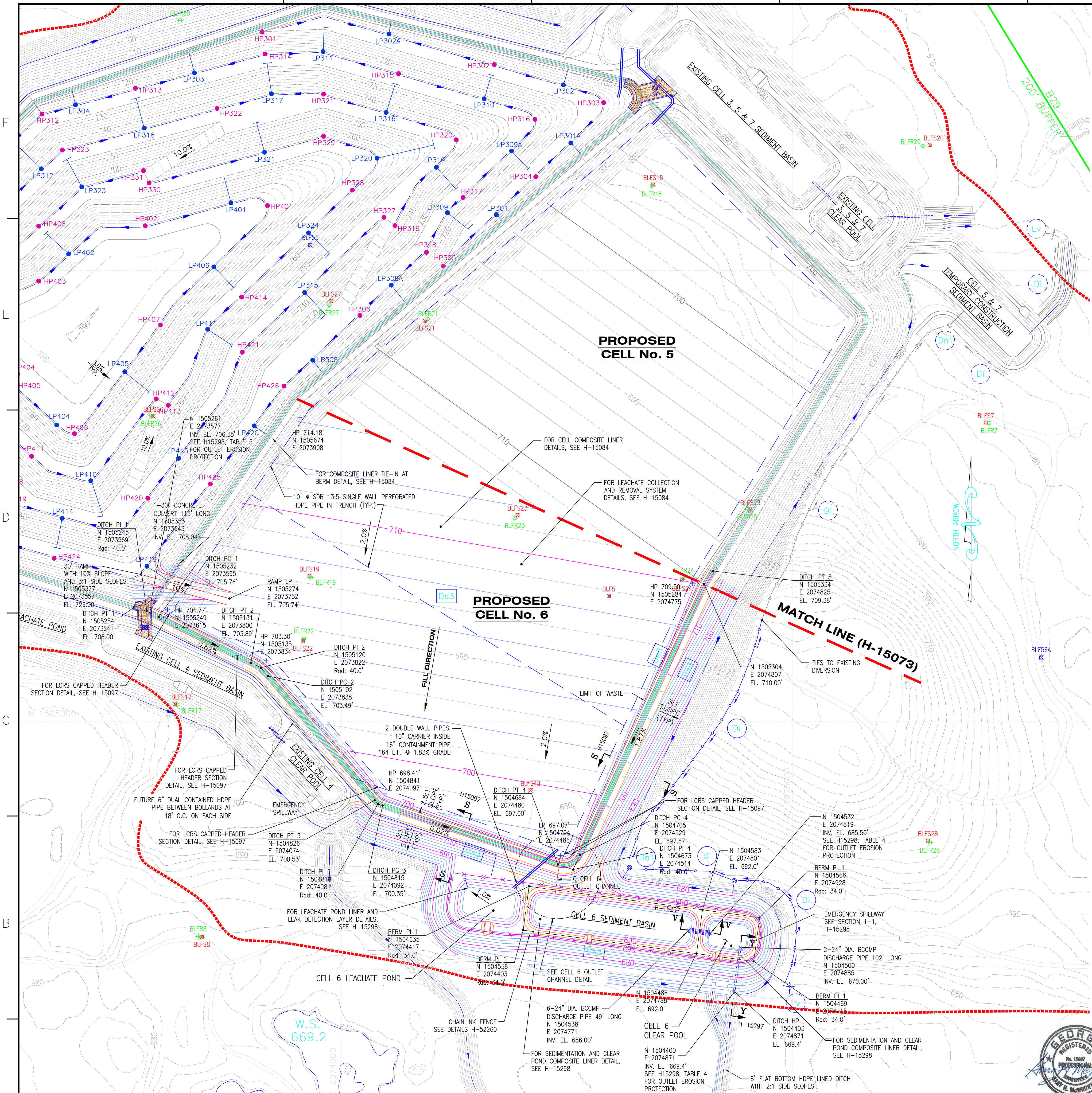
REVISION	DATE	REVISION	DATE	REVISION	DATE	REVISION	DATE
BY	CHK'D	CIVL APPR	ELECT APPR	I/C APPR	MECH APPR	MGR APPR	

REVISION 0		DATE 8/25/2022		Southern Company Generation FOR	
ISSUED FOR PERMIT				<b>GEORGIA POWER COMPANY</b>	
				PLANT BOWEN CCR LANDFILL CELL 5 SITE DEVELOPMENT BASE GRADE PLAN	
SCALE	PROJ. I.D.	DRAWING NUMBER	SH	CONTD	REV
1"=100'	10207	<b>H-15073</b>	1	FINAL	0



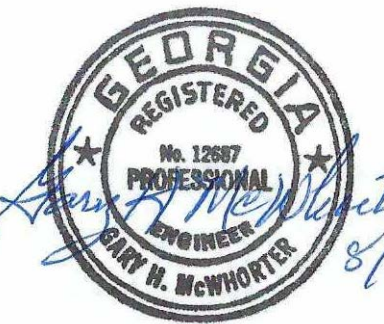
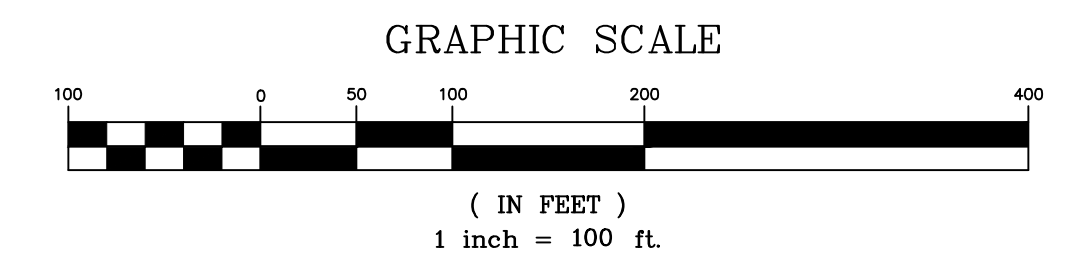






**CELL No. 6 OUTLET CHANNEL DETAIL**  
 NOTE: DASHED CONTOURS INDICATE CLOSURE OF OUTLET CHANNEL AS THE CELL IS FILLED.

- LEGEND:**
- + TOP OF ROCK BORING/TEMPORARY PIEZOMETER LOCATION
  - x SOIL BORING/TEMPORARY PIEZOMETER LOCATION
  - x DEEP BORING/TEMPORARY PIEZOMETER LOCATION
  - SITE BOUNDARY
  - 200' BUFFER
  - FAVORABLE/UNFAVORABLE AREA DELINEATION
  - LIMIT OF WASTE
  - FENCE
  - EXISTING GROUND CONTOURS
  - FINAL GRADE CONTOURS
  - LCRS PIPES, 10" Ø
- EROSION CONTROL LEGEND**
- Sd1 SILT FENCE (SEE H-15299)
  - Di DIVERSION (SEE H-15299)
  - Dn1 TEMPORARY DOWNDRAIN (SEE H-15296)
  - Lv LEVEL SPREADER
  - Ds3 DISTURBED AREA STABILIZATION (PERMANENT VEGETATION SEE H-15303)
  - LP114 DRAINAGE LOW POINT WITH DOWNDRAIN NUMBER
  - DRAINAGE HIGH POINT/NUMBER



- NOTES:**
- ALL EARTHEN STRUCTURES ARE ENGINEERED TO WITHSTAND A MAXIMUM HORIZONTAL ACCELERATION OF 0.22g.
- REFERENCE DRAWINGS:**
- FOR A COMPLETE DRAWING LIST SEE SHEET H-15061.
  - SEE SHEET H-15063 FOR GENERAL NOTES AND REFERENCES.

REVISION	DATE	REVISION	DATE	REVISION	DATE	REVISION	DATE	REVISION	DATE											
BY	CHK'D	CIVL APPR	ELECT APPR	L/C APPR	MECH APPR	MGR APPR	BY	CHK'D	CIVL APPR	ELECT APPR	L/C APPR	MECH APPR	MGR APPR	BY	CHK'D	CIVL APPR	ELECT APPR	L/C APPR	MECH APPR	MGR APPR

Southern Company Generation  
FOR

**GEORGIA POWER COMPANY**

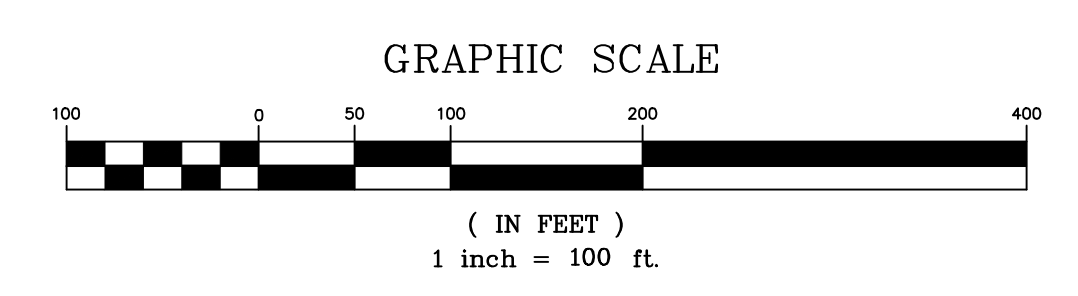
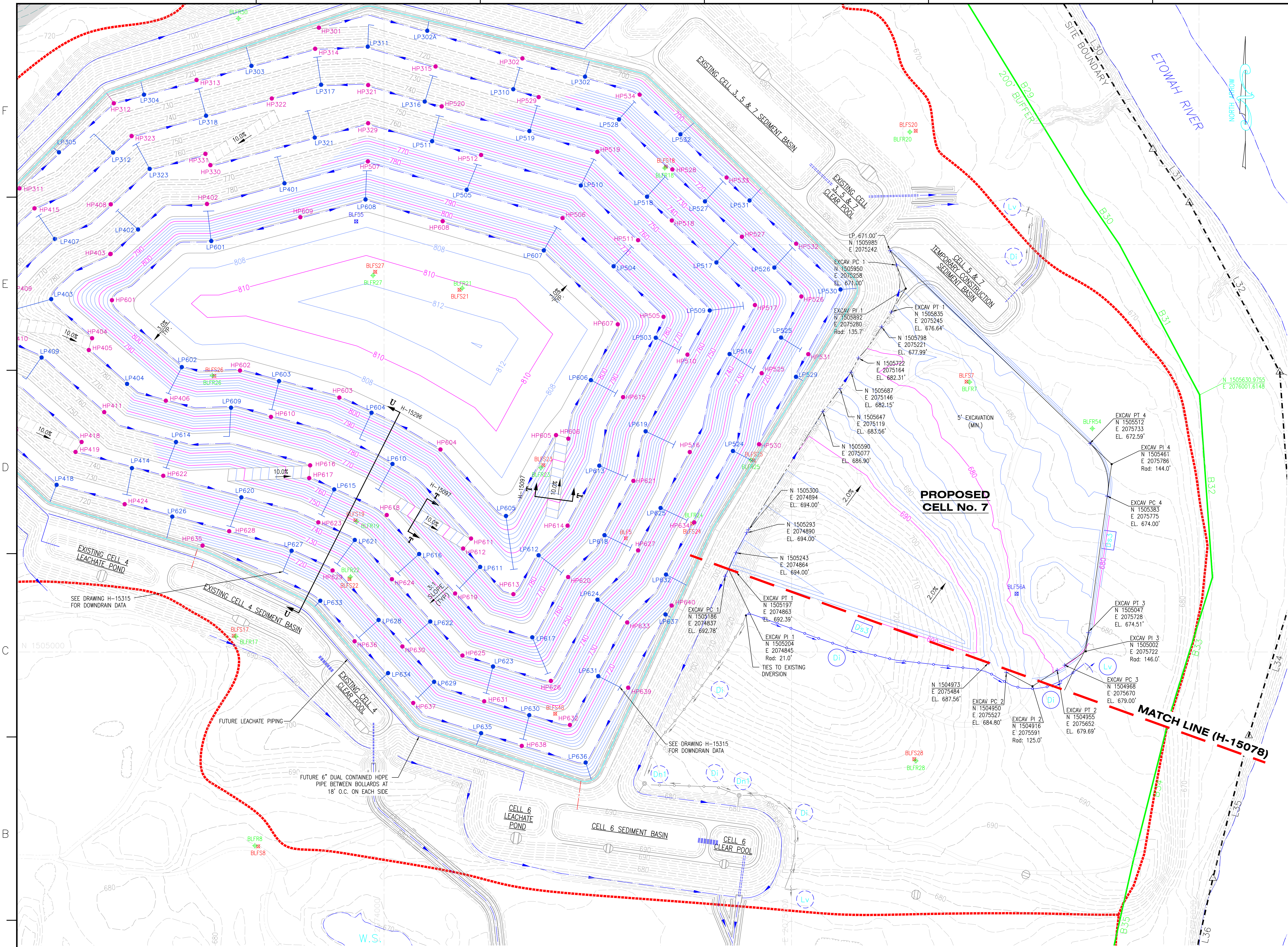
PLANT BOWEN  
CCR LANDFILL  
CELL 6 SITE DEVELOPMENT  
BASE GRADE PLAN

ISSUED FOR PERMIT

REVISION 0      DATE 8/25/2022

SCALE	PROJ. I.D.	DRAWING NUMBER	SH	CONTD	REV
1"=100'	10207	<b>H-15075</b>	1	FINAL	0





- LEGEND:**
- + TOP OF ROCK BORING/TEMPORARY PIEZOMETER LOCATION
  - x SOIL BORING/TEMPORARY PIEZOMETER LOCATION
  - + DEEP BORING/TEMPORARY PIEZOMETER LOCATION
  - - - SITE BOUNDARY
  - 200' BUFFER
  - FAVORABLE/UNFAVORABLE AREA DELINEATION
  - - - EXCAVATION LAYOUT CONTROL
  - x FENCE
  - 50' EXISTING GROUND CONTOURS
  - 50' FINAL GRADE CONTOURS

- EROSION CONTROL LEGEND**
- Sd1 SILT FENCE (SEE H-15299)
  - Di DIVERSION (SEE H-15299)
  - Dn1 TEMPORARY DOWNDRAIN (SEE H-15296)
  - Lv LEVEL SPREADER
  - Ds3 DISTURBED AREA STABILIZATION (PERMANENT VEGETATION SEE H-15303)
  - LP114 DRAINAGE LOW POINT WITH DOWNDRAIN NUMBER
  - DRAINAGE HIGH POINT/NUMBER

- NOTES:**
- ALL EARTHEN STRUCTURES ARE ENGINEERED TO WITHSTAND A MAXIMUM HORIZONTAL ACCELERATION OF 0.22g.

- REFERENCE DRAWINGS:**
- FOR A COMPLETE DRAWING LIST SEE SHEET H-15061.
  - SEE SHEET H-15063 FOR GENERAL NOTES AND REFERENCES.

**GEORGIA**  
DEPARTMENT OF NATURAL RESOURCES  
ENVIRONMENTAL PROTECTION DIVISION

**Approved**

Solid Waste Management Program

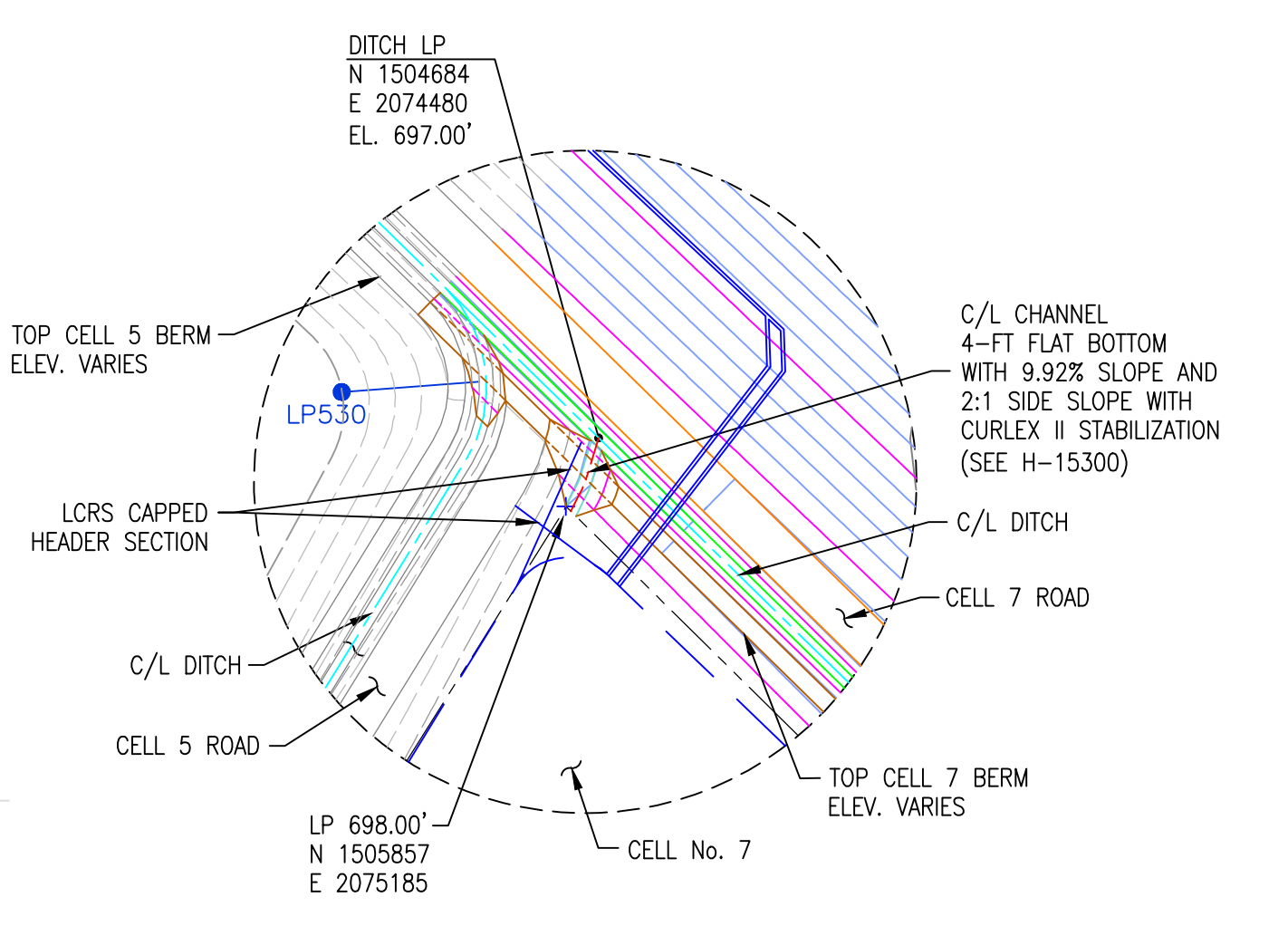
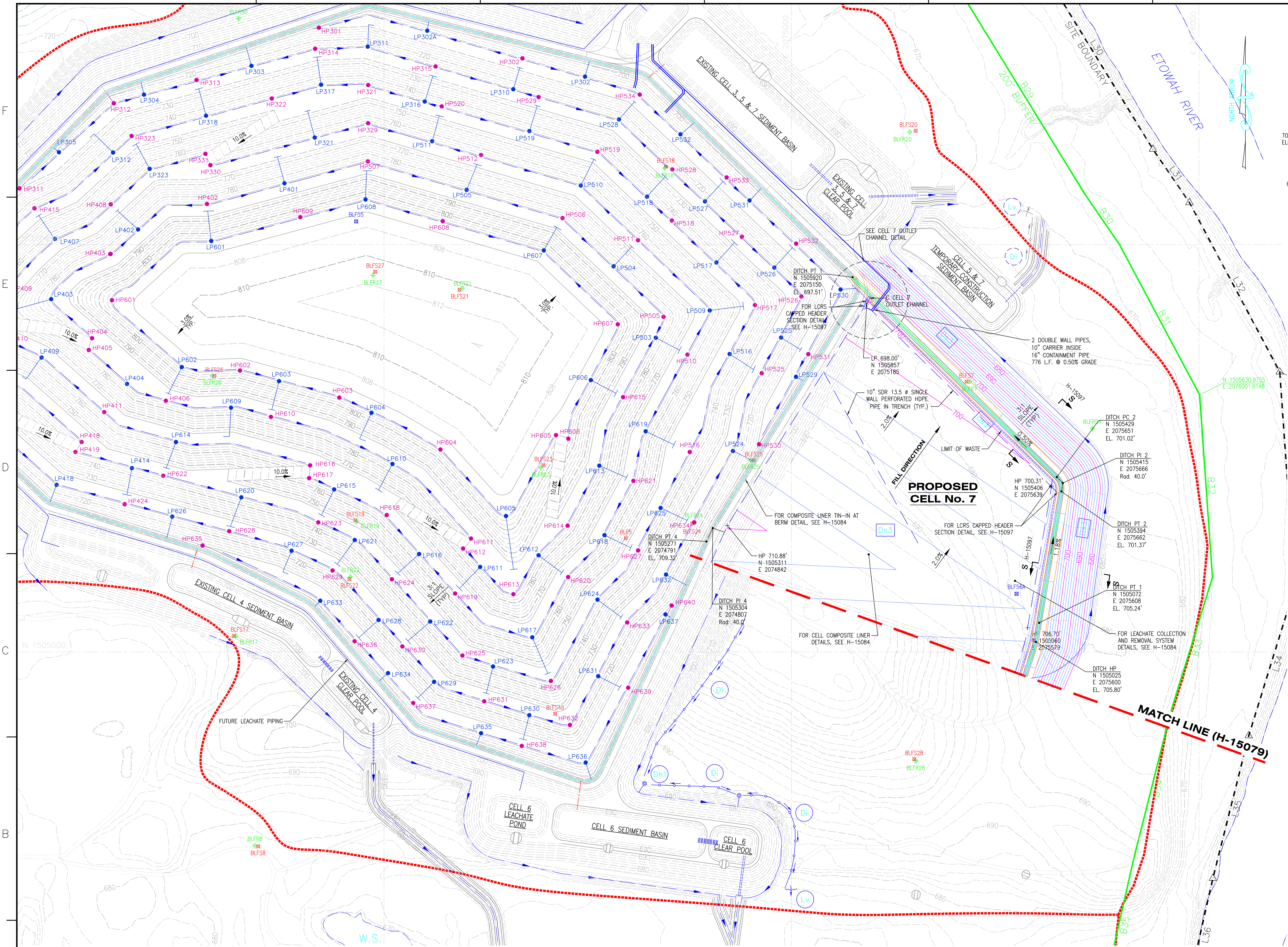
Approved By: Keith Stevens

REVISION	DATE	REVISION	DATE	REVISION	DATE	REVISION	DATE
BY	CHK'D	CIVIL APPR	ELECT APPR	L/C APPR	MECH APPR	MGR APPR	

REVISION	0	DATE	8/25/2022
ISSUED FOR PERMIT			

Southern Company Generation FOR			
<b>GEORGIA POWER COMPANY</b>			
PLANT BOWEN CCR LANDFILL CELL 7 SITE DEVELOPMENT EXCAVATION PLAN			
SCALE	PROJ. I.D.	DRAWING NUMBER	SH. CONTD. REV.
1"=100'	10207	<b>H-15076</b>	1 FINAL 0





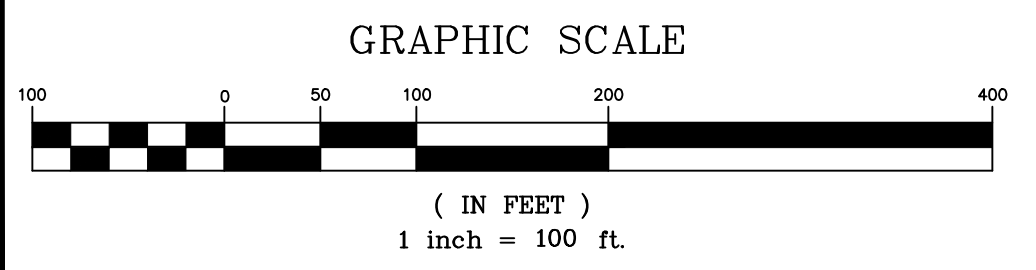
**CELL No. 7 OUTLET CHANNEL DETAIL**  
 NOTE: DASHED CONTOURS INDICATE CLOSURE OF OUTLET CHANNEL AS THE CELL IS FILLED.

- LEGEND:**
- + TOP OF ROCK BORING/TEMPORARY PIEZOMETER LOCATION
  - x SOIL BORING/TEMPORARY PIEZOMETER LOCATION
  - x DEEP BORING/TEMPORARY PIEZOMETER LOCATION
  - - - SITE BOUNDARY
  - 200' BUFFER
  - FAVORABLE/UNFAVORABLE AREA DELINEATION
  - - - LIMIT OF WASTE
  - FENCE
  - - - EXISTING GROUND CONTOURS
  - FINAL GRADE CONTOURS
  - LGRS PIPES, 10"  $\phi$

- EROSION CONTROL LEGEND**
- Sd1 SILT FENCE (SEE H-15299)
  - Di DIVERSION (SEE H-15299)
  - Dn1 TEMPORARY DOWNDRAIN (SEE H-15296)
  - Lv LEVEL SPREADER
  - Ds3 DISTURBED AREA STABILIZATION (PERMANENT VEGETATION SEE H-15303)
  - LP114 DRAINAGE LOW POINT WITH DOWNDRAIN NUMBER
  - HP110 DRAINAGE HIGH POINT/NUMBER

**NOTES:**  
 1. ALL EARTHEN STRUCTURES ARE ENGINEERED TO WITHSTAND A MAXIMUM HORIZONTAL ACCELERATION OF 0.22g.

**REFERENCE DRAWINGS:**  
 1. FOR A COMPLETE DRAWING LIST SEE SHEET H-15061.  
 2. SEE SHEET H-15063 FOR GENERAL NOTES AND REFERENCES.

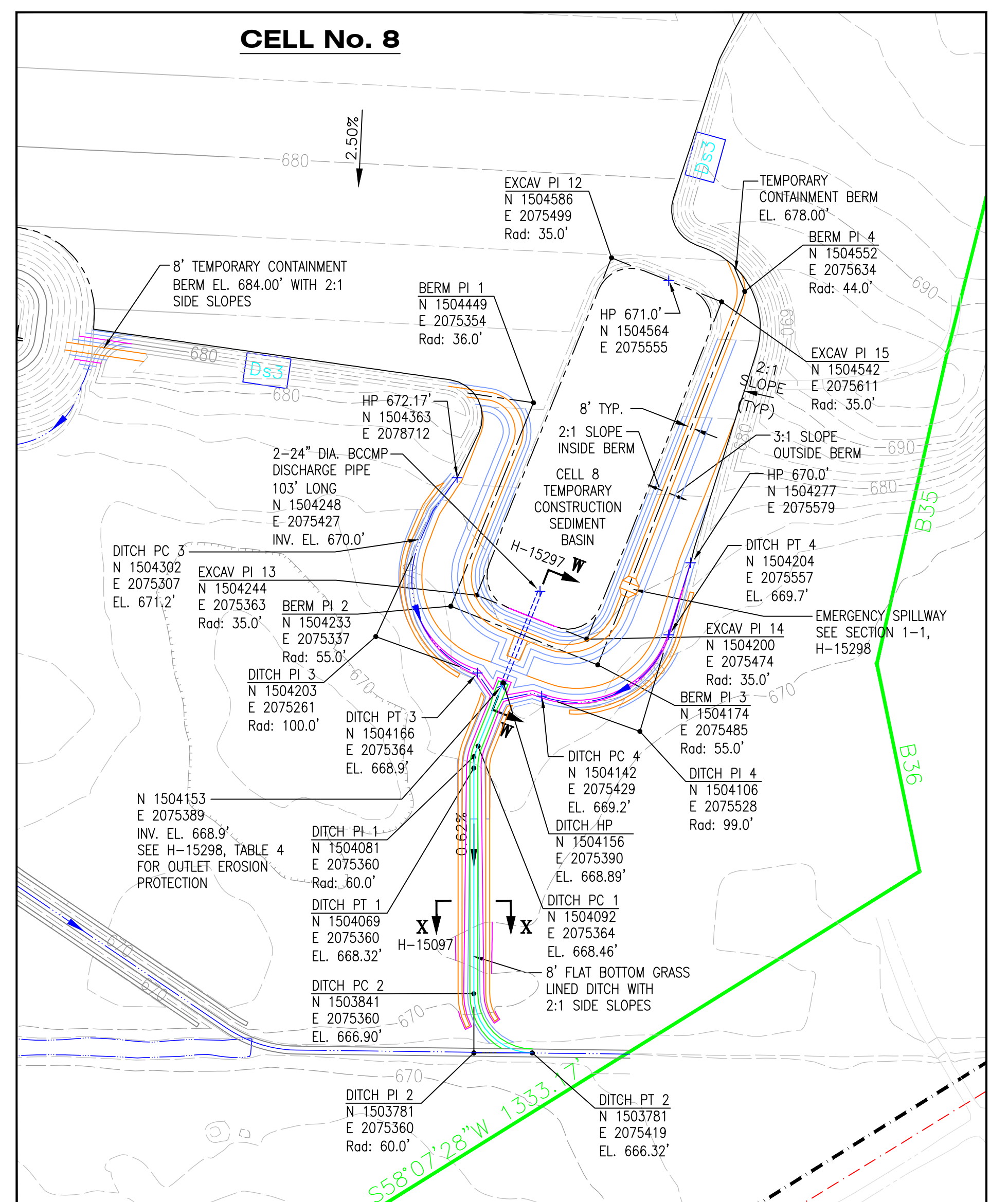
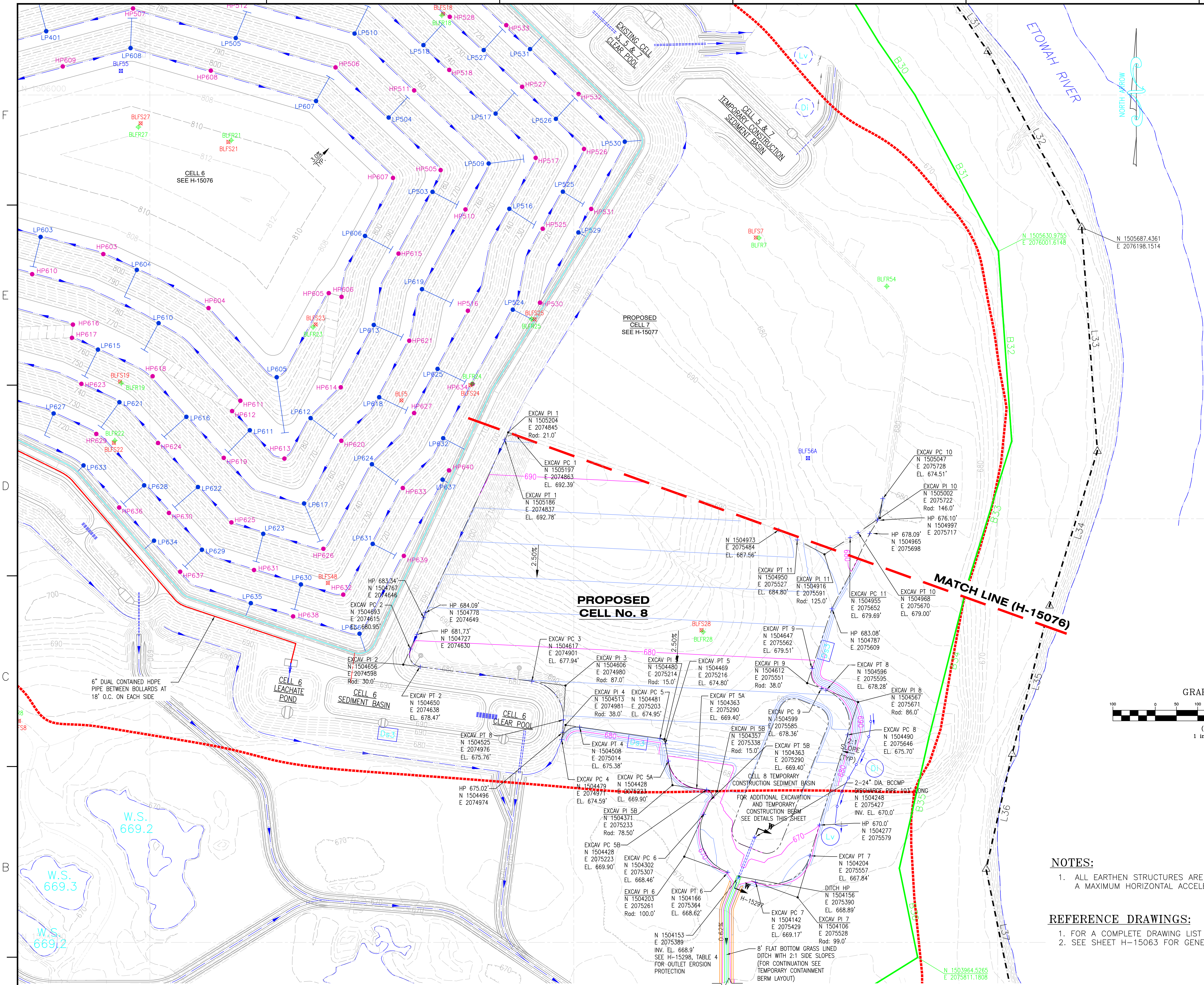


**GEORGIA**  
 ENVIRONMENTAL PROTECTION DIVISION  
**Approved**  
 Solid Waste Management Program  
 Keith Stevens  
 Approved By: \_\_\_\_\_

REVISION	DATE	REVISION	DATE	REVISION	DATE	REVISION	DATE
BY:	CHK'D:	CIVL APPR:	ELECT APPR:	L/C APPR:	MECH APPR:	MGR APPR:	

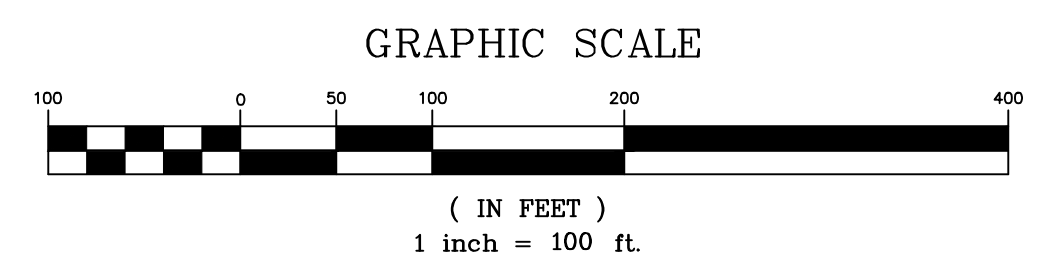
REVISION 0		DATE 8/25/2022	
ISSUED FOR PERMIT			
Southern Company Generation FOR <b>GEORGIA POWER COMPANY</b>			
PLANT BOWEN CCR LANDFILL CELL 7 SITE DEVELOPMENT BASE GRADE PLAN			
SCALE	PROJ. I.D.	DRAWING NUMBER	SH. CONTS. REV.
1"=100'	10207	<b>H-15077</b>	1 FINAL 0





**TEMPORARY CONTAINMENT BERM**  
SCALE 1"=100'

- LEGEND:**
- ⊕ TOP OF ROCK BORING/TEMPORARY PIEZOMETER LOCATION
  - ⊗ SOIL BORING/TEMPORARY PIEZOMETER LOCATION
  - ⊙ DEEP BORING/TEMPORARY PIEZOMETER LOCATION
  - - - SITE BOUNDARY
  - 200' BUFFER
  - - - FAVORABLE/UNFAVORABLE AREA DELINEATION
  - - - EXCAVATION LAYOUT CONTROL
  - - - 50' EXISTING GROUND CONTOURS
  - - - 50' FINAL GRADE CONTOURS
  - - - LEACHATE PIPING
- EROSION CONTROL LEGEND**
- (Sd) SILT FENCE (SEE H-15299)
  - (Di) DIVERSION (SEE H-15299)
  - (Bn) TEMPORARY DOWNDRAIN (SEE H-15296)
  - (Lv) LEVEL SPREADER
  - (Ds) DISTURBED AREA STABILIZATION (PERMANENT VEGETATION SEE H-15303)
  - LP114 DRAINAGE LOW POINT WITH DOWNDRAIN NUMBER
  - HP110 DRAINAGE HIGH POINT/NUMBER



- NOTES:**
- ALL EARTHEN STRUCTURES ARE ENGINEERED TO WITHSTAND A MAXIMUM HORIZONTAL ACCELERATION OF 0.22g.

- REFERENCE DRAWINGS:**
- FOR A COMPLETE DRAWING LIST SEE SHEET H-15061.
  - SEE SHEET H-15063 FOR GENERAL NOTES AND REFERENCES.

**GEORGIA**  
DEPARTMENT OF NATURAL RESOURCES  
ENVIRONMENTAL PROTECTION DIVISION  
**Approved**  
Solid Waste Management Program  
Approved By: Keith Stevens

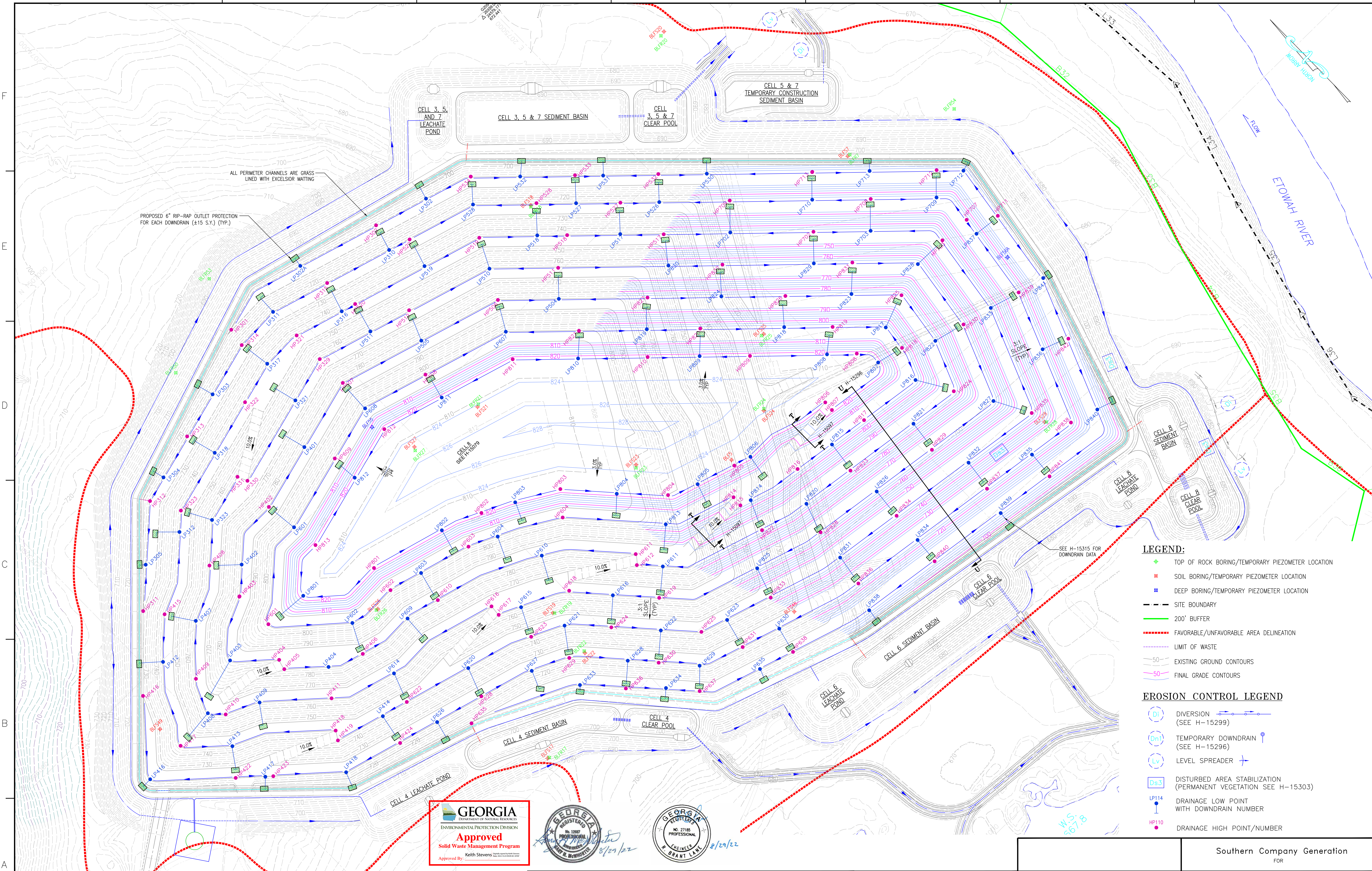
REVISION	DATE	REVISION	DATE	REVISION	DATE	REVISION	DATE
BY	CHK'D	CIVL APPR	ELECT APPR	I/C APPR	MECH APPR	MGR APPR	

Southern Company Generation FOR	
<b>GEORGIA POWER COMPANY</b>	
PLANT BOWEN CCB DISPOSAL FACILITY CELL 8 SITE DEVELOPMENT EXCAVATION PLAN	
ISSUED FOR PERMIT	
REVISION 0	DATE 8/25/2022
BY ANR	CHK'D RBL
SCALE 1"=100'	PROJ. I.D. 10207
DRAWING NUMBER <b>H-15078</b>	SH. 1
CONTD. 0	REV. 0









PROPOSED 6" RIP-RAP OUTLET PROTECTION FOR EACH DOWNDRAIN (±15 S.Y.) (TYP.)

ALL PERIMETER CHANNELS ARE GRASS LINED WITH EXCELSIOR MATTING

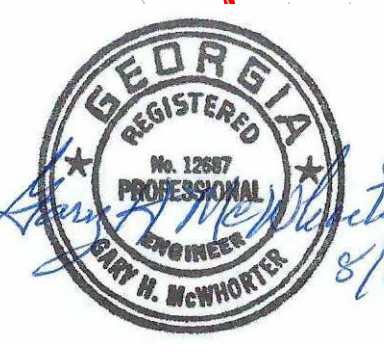
- LEGEND:**
- ◆ TOP OF ROCK BORING/TEMPORARY PIEZOMETER LOCATION
  - ⊗ SOIL BORING/TEMPORARY PIEZOMETER LOCATION
  - ⊠ DEEP BORING/TEMPORARY PIEZOMETER LOCATION
  - - - SITE BOUNDARY
  - 200' BUFFER
  - - - FAVORABLE/UNFAVORABLE AREA DELINEATION
  - - - LIMIT OF WASTE
  - 50' EXISTING GROUND CONTOURS
  - 50' FINAL GRADE CONTOURS
- EROSION CONTROL LEGEND**
- D1 DIVERSION (SEE H-15299)
  - Dn1 TEMPORARY DOWNDRAIN (SEE H-15296)
  - Lv LEVEL SPREADER
  - Ds3 DISTURBED AREA STABILIZATION (PERMANENT VEGETATION SEE H-15303)
  - LP114 DRAINAGE LOW POINT WITH DOWNDRAIN NUMBER
  - HP110 DRAINAGE HIGH POINT/NUMBER

**NOTES:**

- ALL EARTHEN STRUCTURES ARE ENGINEERED TO WITHSTAND A MAXIMUM HORIZONTAL ACCELERATION OF 0.22g.

**REFERENCE DRAWINGS:**

- FOR A COMPLETE DRAWING LIST SEE SHEET H-15061.
- SEE SHEET H-15063 FOR GENERAL NOTES AND REFERENCES.
- SEE SHEET H-15315 FOR DOWNDRAIN DATA.

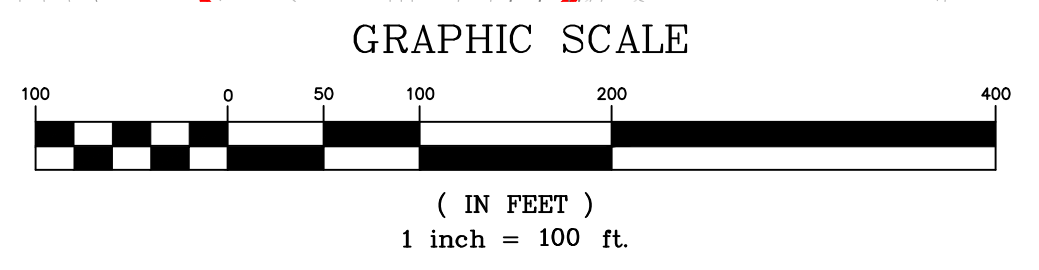


REVISION	DATE	REVISION	DATE	REVISION	DATE															
BY	CHK'D	CIVIL APPR	ELECT APPR	L/C APPR	MECH APPR	MGR APPR	BY	CHK'D	CIVIL APPR	ELECT APPR	L/C APPR	MECH APPR	MGR APPR	BY	CHK'D	CIVIL APPR	ELECT APPR	L/C APPR	MECH APPR	MGR APPR

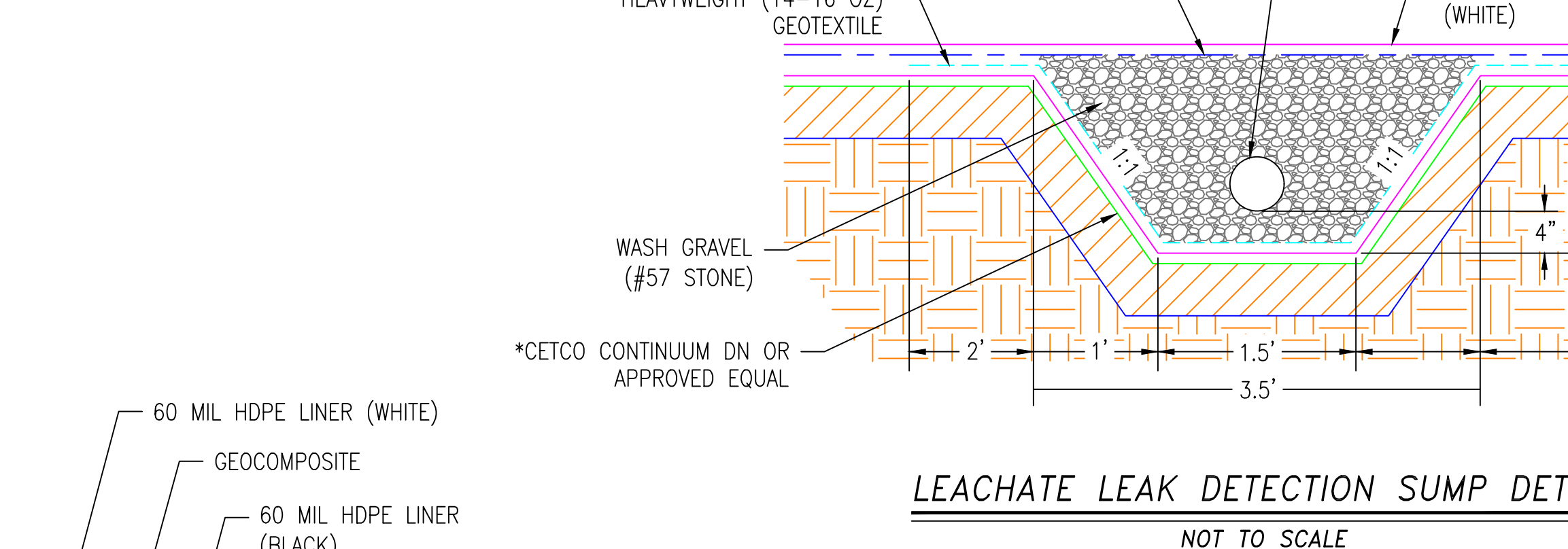
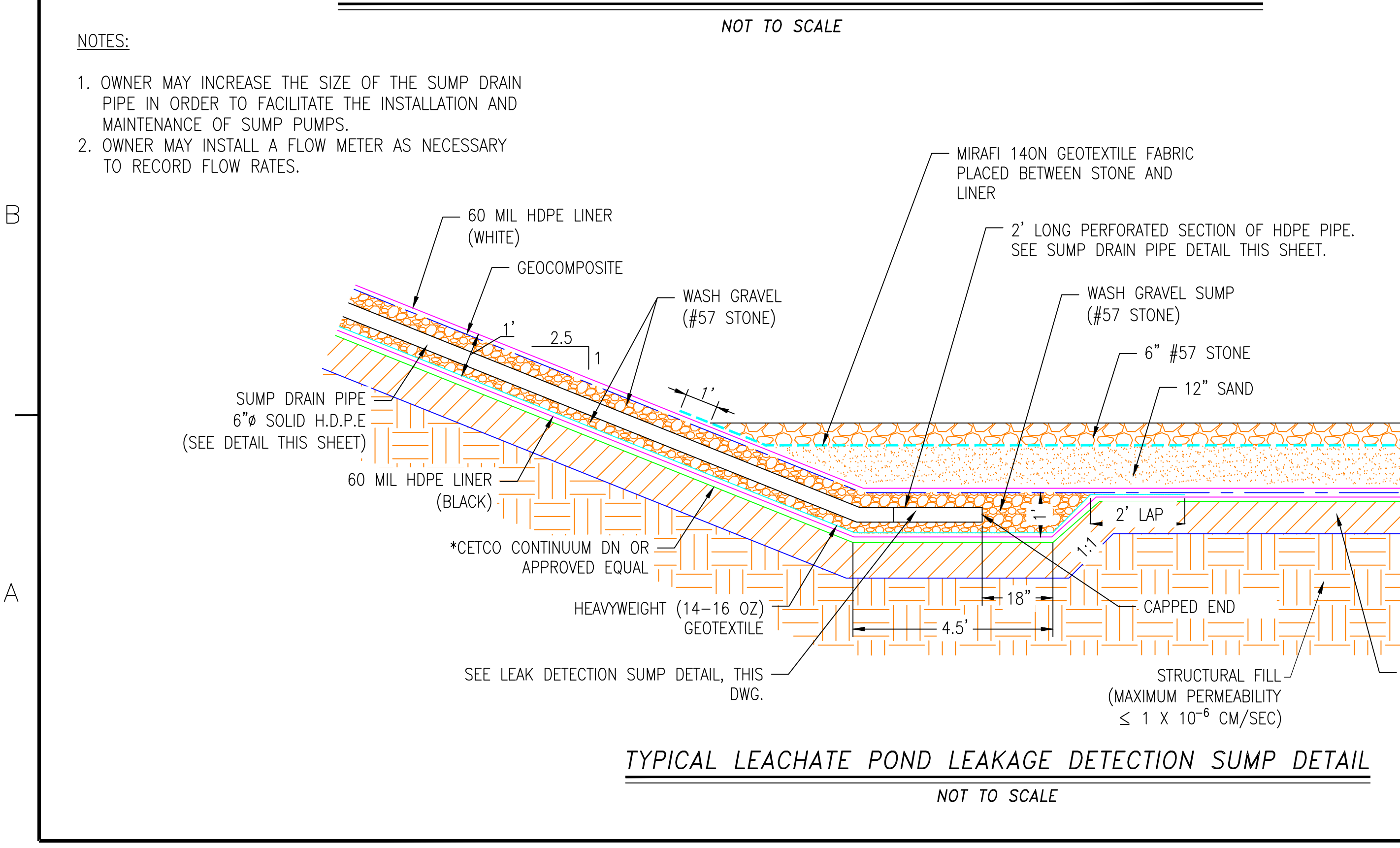
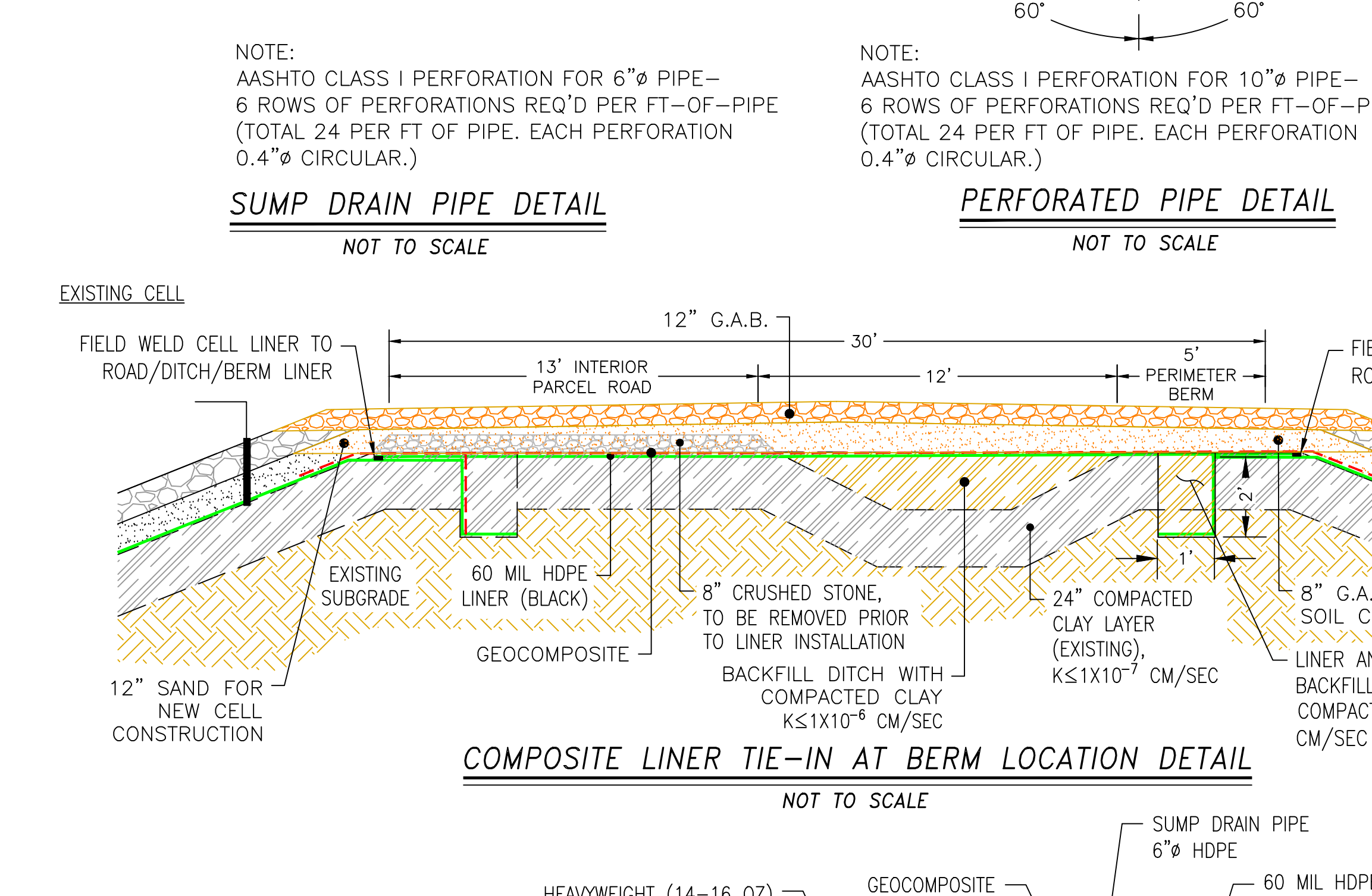
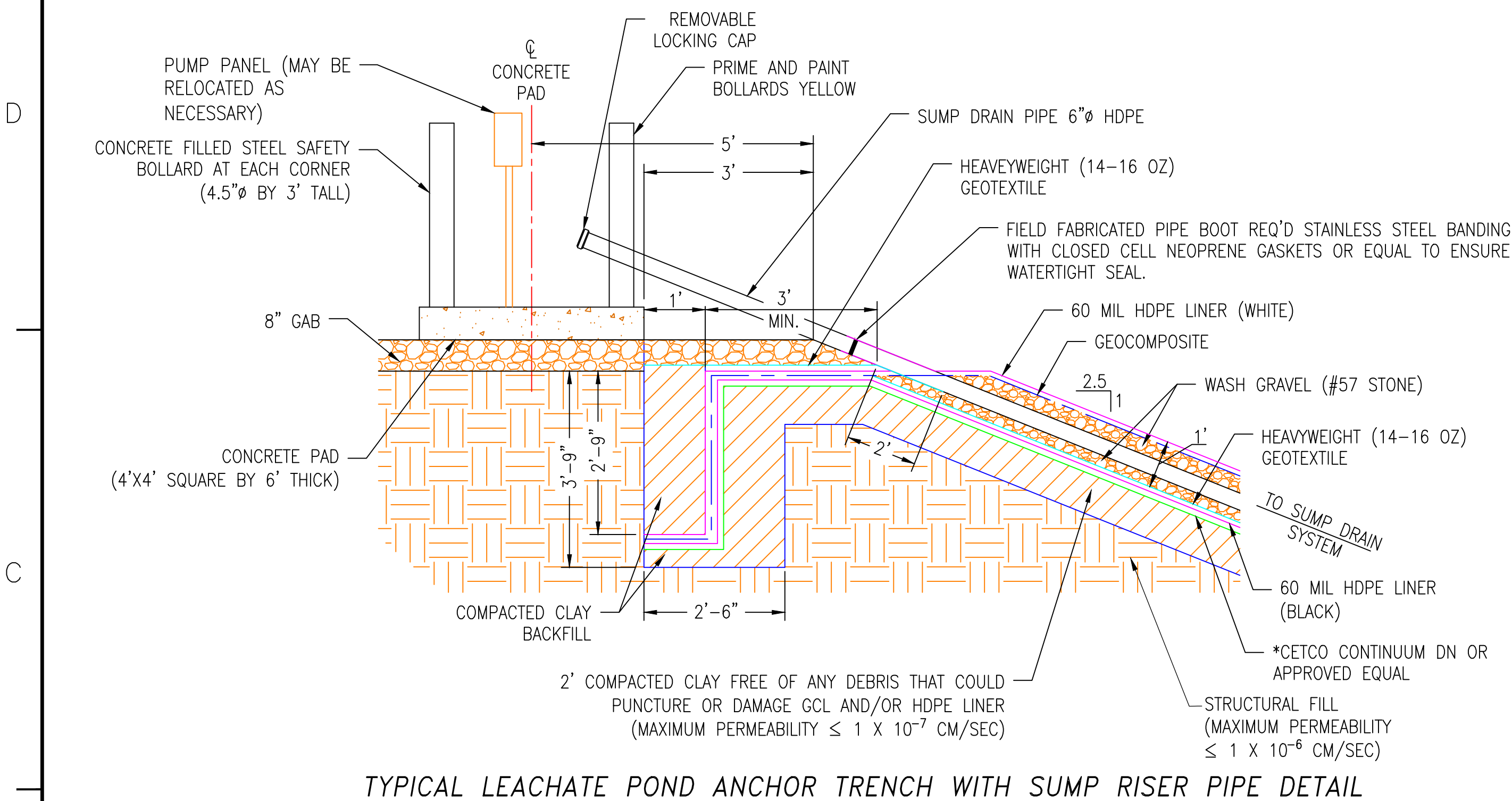
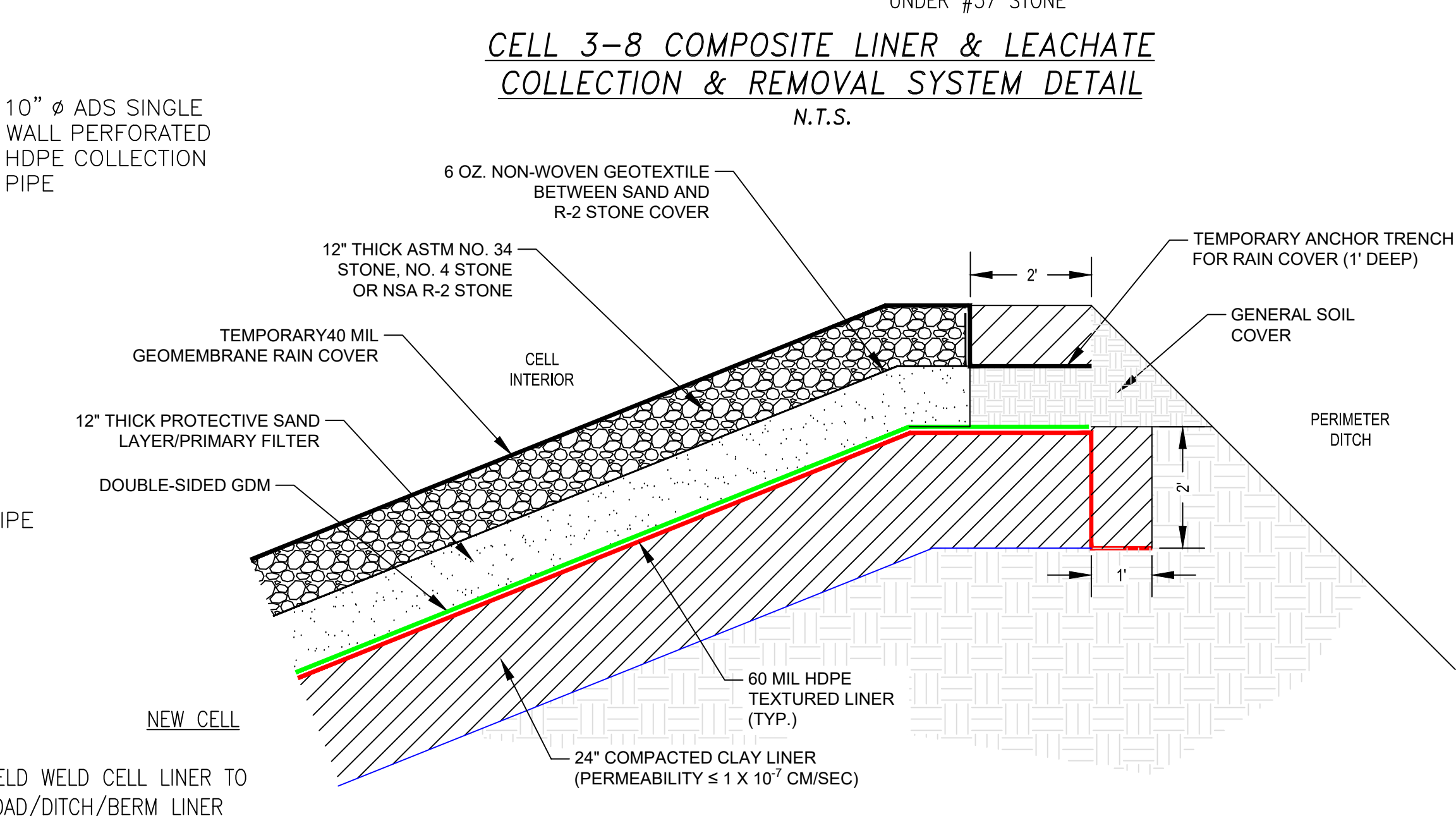
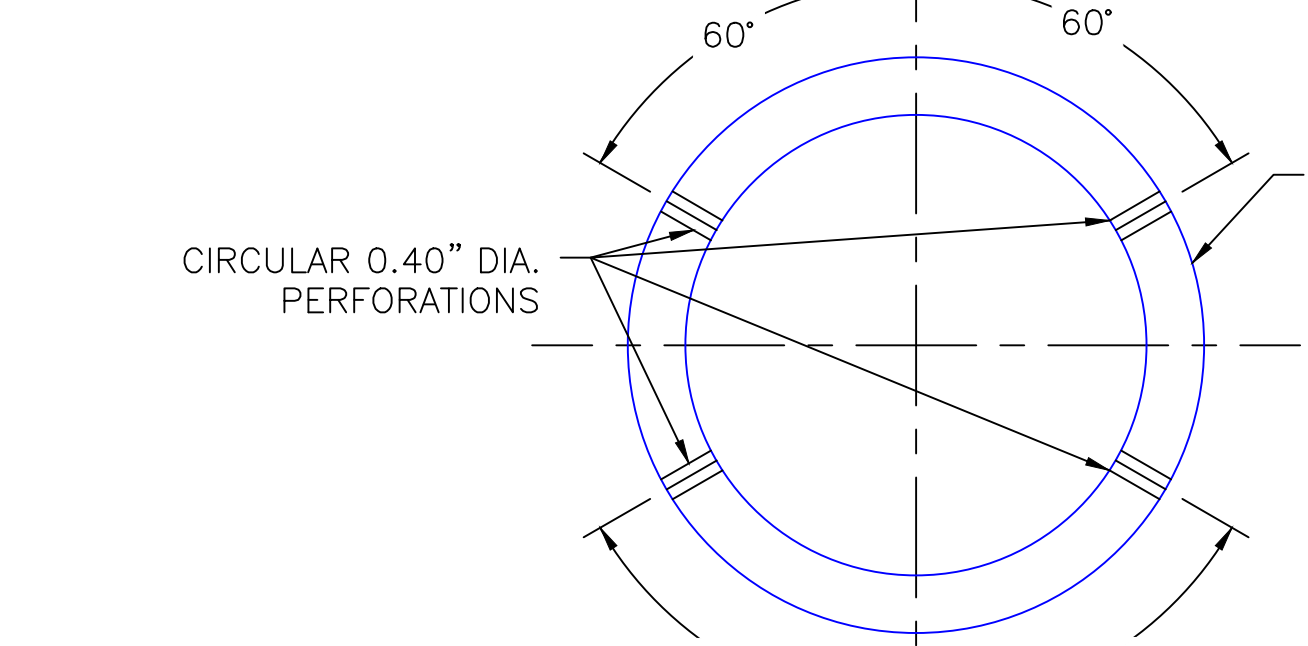
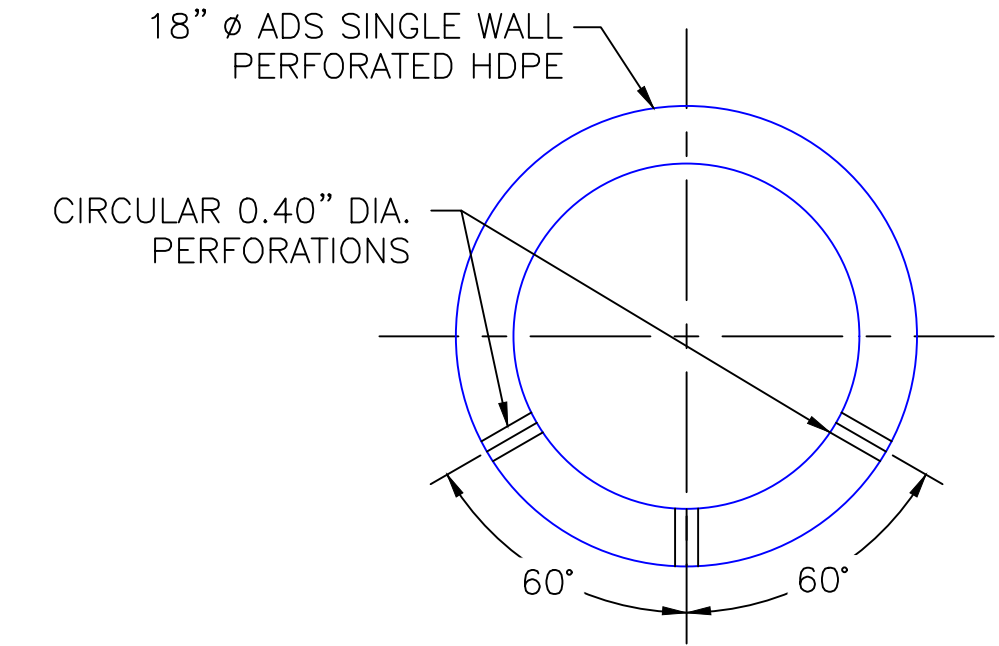
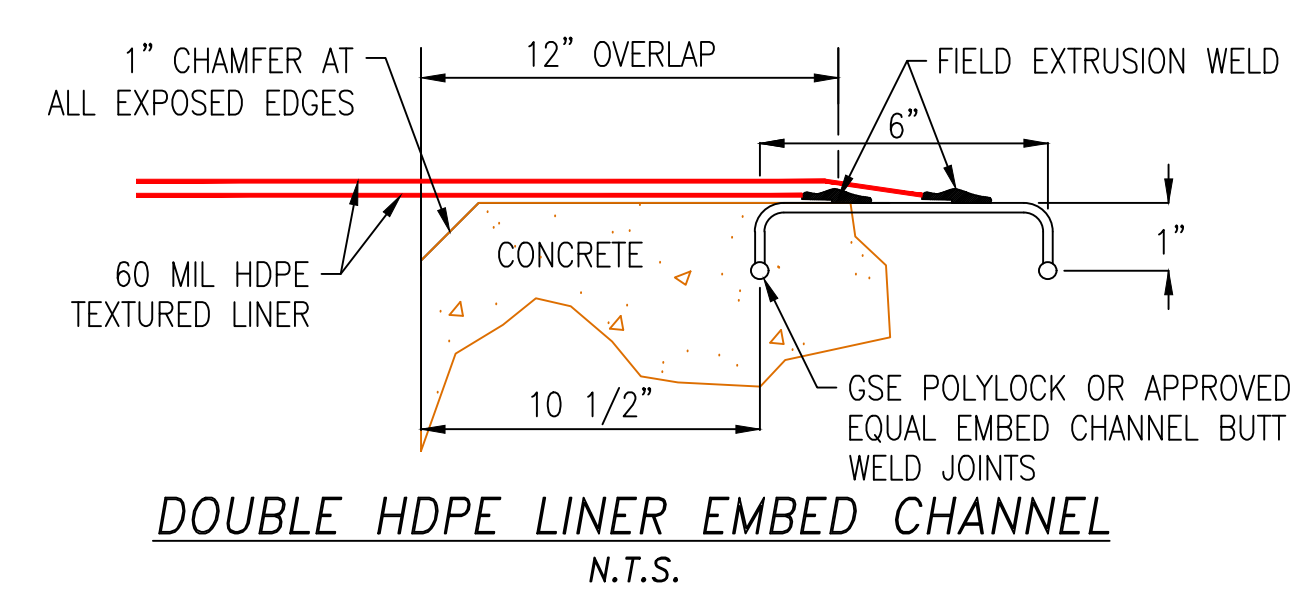
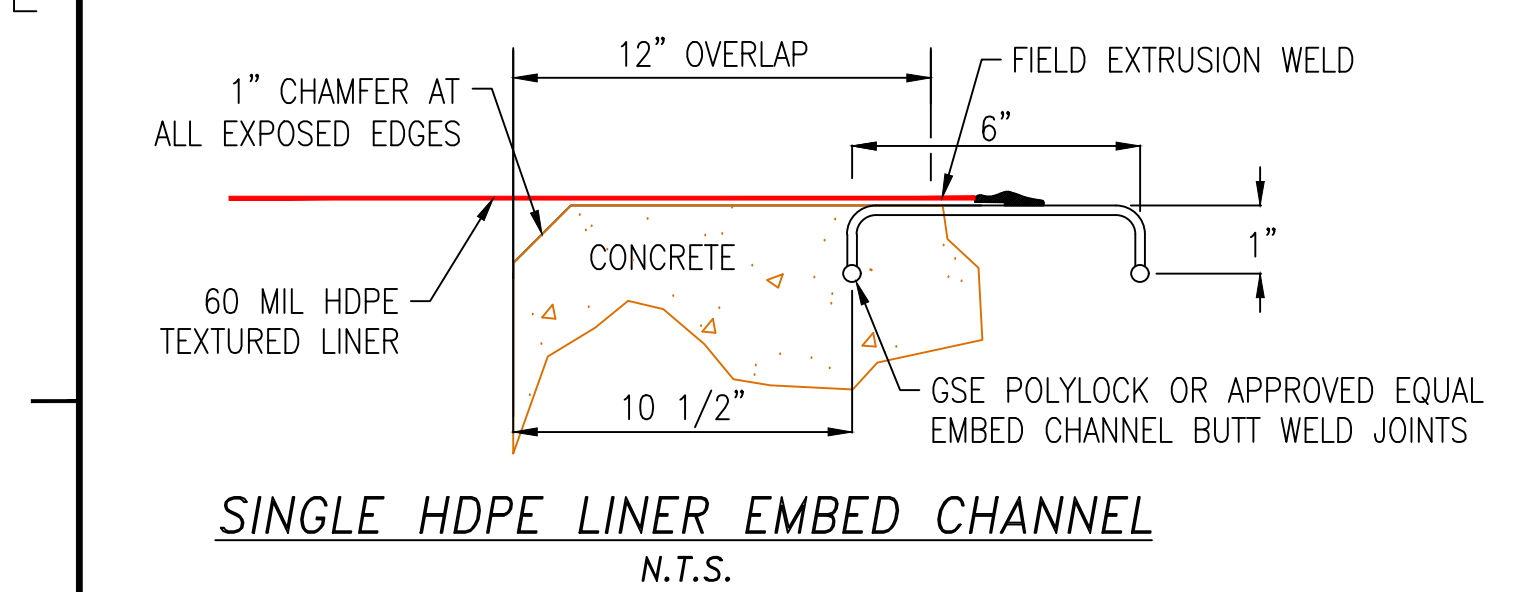
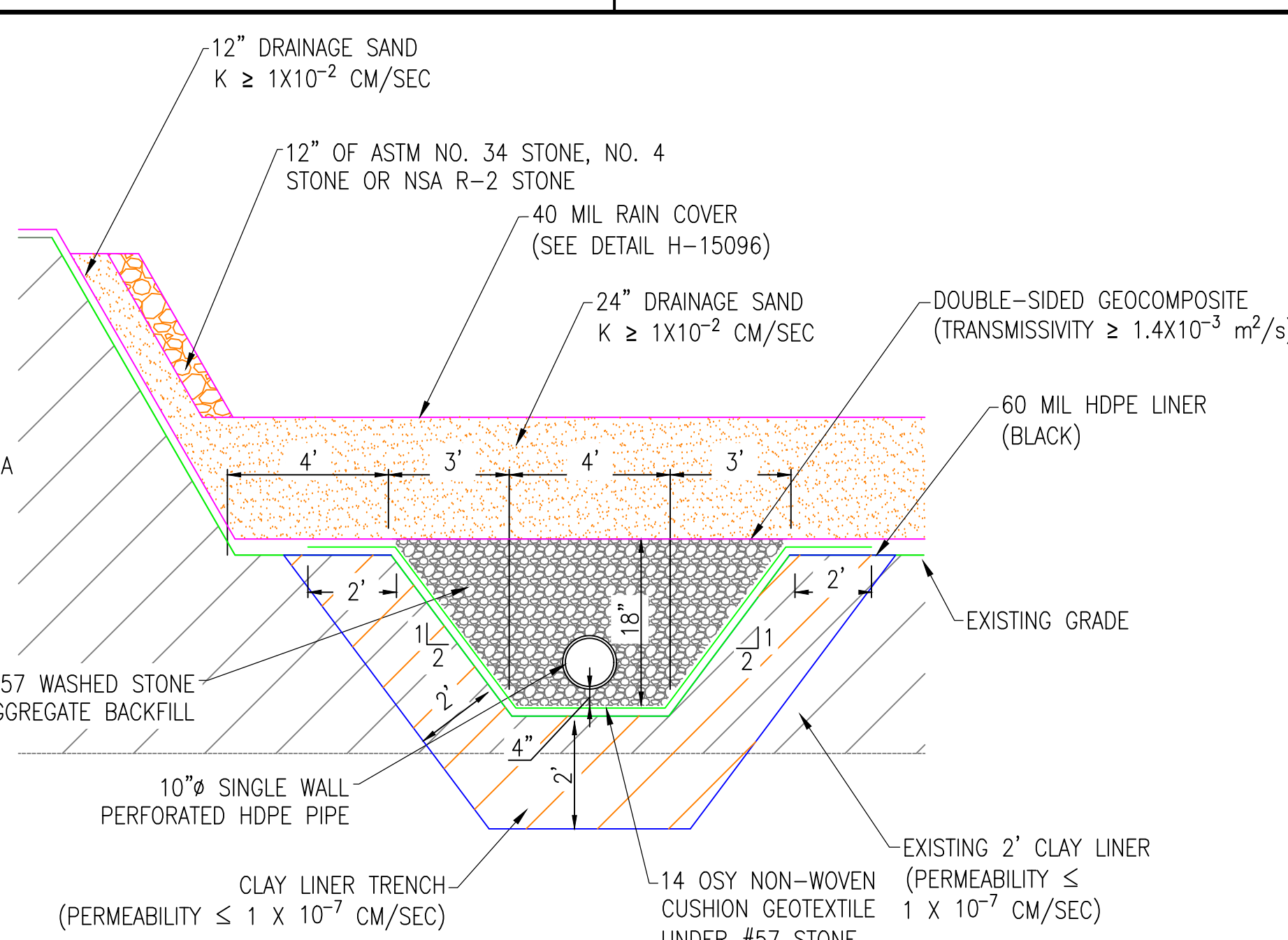
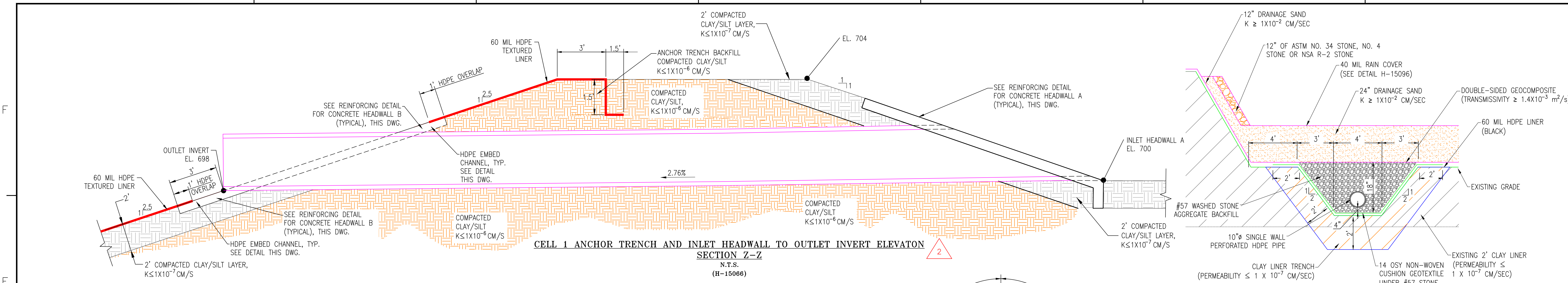
REVISION	0	DATE	8/25/2022
ISSUED FOR PERMIT			

Southern Company Generation  
FOR  
**GEORGIA POWER COMPANY**  
PLANT BOWEN  
CCB DISPOSAL FACILITY  
CELL 3, 4, 5, 6, 7 & 8 FINAL STACKING PLAN

SCALE	PROJ. I.D.	DRAWING NUMBER	SH	CONTD.	REV
1"=100'	10207	<b>H-15080</b>	1	FINAL	0







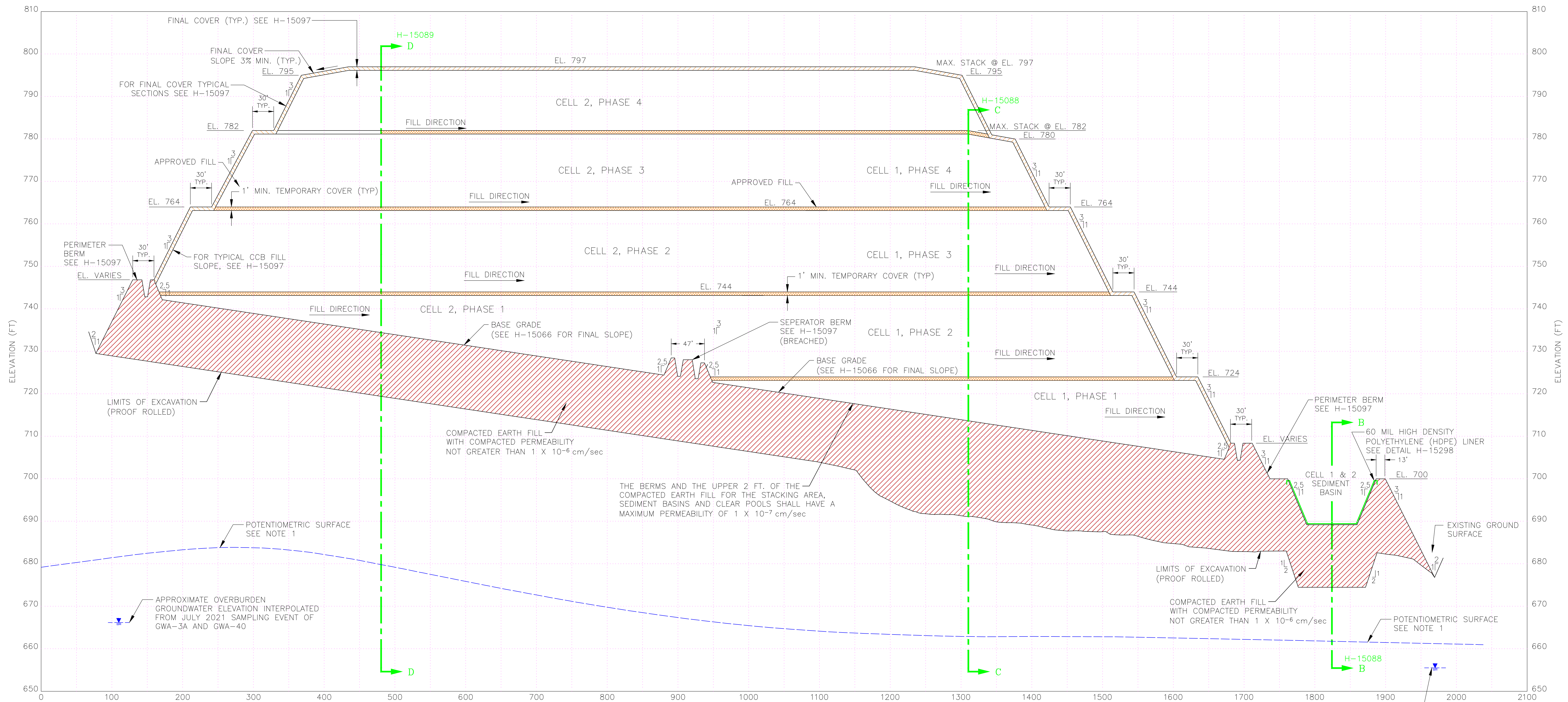
- NOTES:
- OWNER MAY INCREASE THE SIZE OF THE SUMP DRAIN PIPE IN ORDER TO FACILITATE THE INSTALLATION AND MAINTENANCE OF SUMP PUMPS.
  - OWNER MAY INSTALL A FLOW METER AS NECESSARY TO RECORD FLOW RATES.



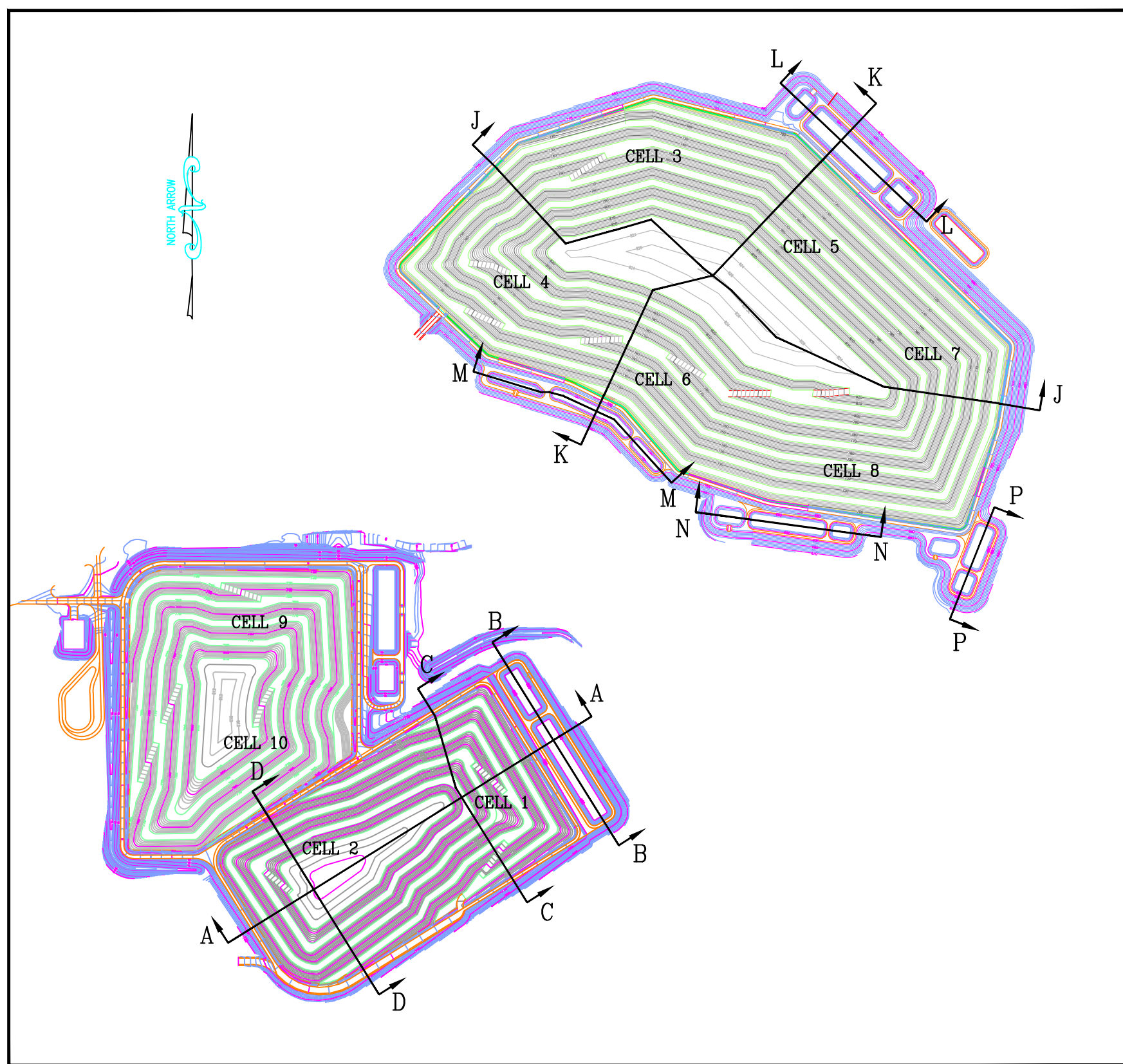
- REFERENCE DRAWINGS:
- FOR A COMPLETE DRAWING LIST SEE SHEET H-15061.
  - SEE SHEET H-15063 FOR GENERAL NOTES AND REFERENCES.

				REVISION 0 DATE 8/25/2022 ISSUED FOR PERMIT				Southern Company Generation FOR <b>GEORGIA POWER COMPANY</b> PLANT BOWEN CCR LANDFILL MISC. SECTIONS AND DETAILS SHEET 1 OF 2																			
BY	CHK'D	CIVL APPR	ELECT APPR	I/C APPR	MECH APPR	MGR APPR	BY	CHK'D	CIVL APPR	ELECT APPR	I/C APPR	MECH APPR	MGR APPR	BY	CHK'D	CIVL APPR	ELECT APPR	I/C APPR	MECH APPR	MGR APPR	SCALE	PROJ. I.D.	DRAWING NUMBER	SH	CONTD.	REV	
																						1"=100'	10207	<b>H-15084</b>	1	FINAL	0





**SECTION A-A**  
SCALE H: 1"=60' V: 1"=10'



**KEY PLAN**  
NOT TO SCALE

**NOTES:**  
1. THE POTENTIOMETRIC SURFACE WAS TAKEN FROM THE WATER LEVEL ELEVATIONS SHOWN FOR THE DATE OF DECEMBER 18, 2002 IN PELA, INC.'S "TABLE 3-1; GROUNDWATER LEVELS AND TOP OF UNWEATHERED BEDROCK", DATED JANUARY 6, 2004, PROVIDED AS PART OF "ADDENDUM I, SITE ACCEPTABILITY REPORT, HYDROGEOLOGICAL ASSESSMENT AND DEMONSTRATION OF ENGINEERING MEASURES", DATED JULY 2004.

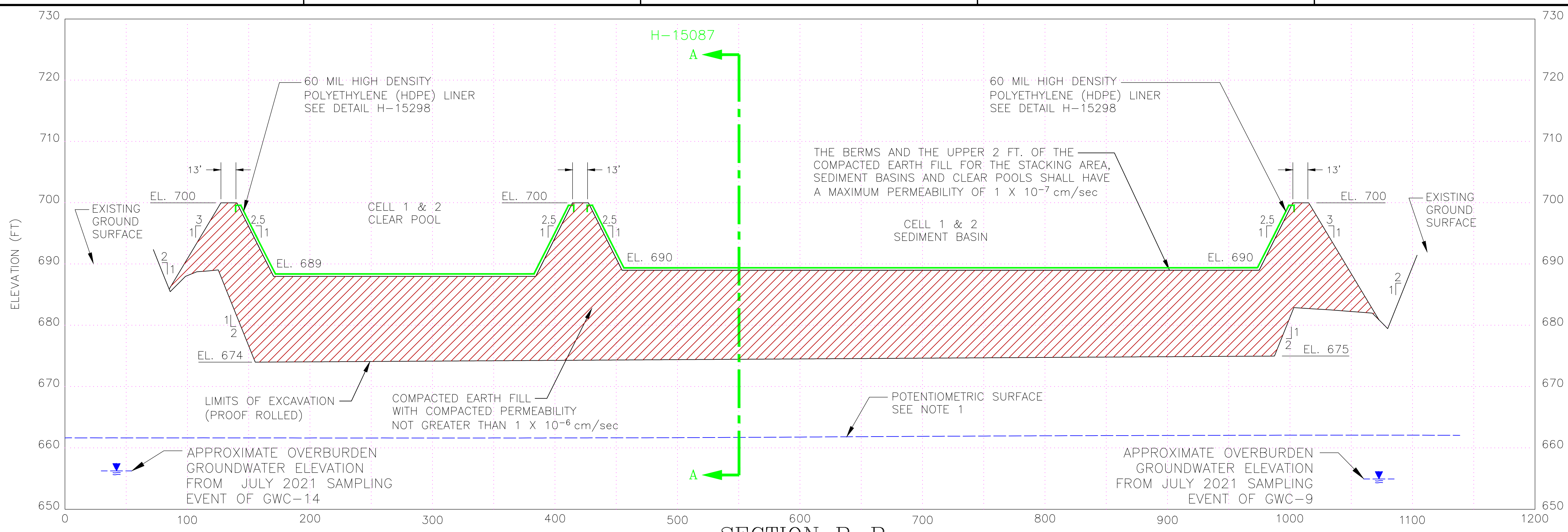
**REFERENCE DRAWINGS:**  
1. FOR A COMPLETE DRAWING LIST SEE SHEET H-15061.  
2. SEE SHEET H-15063 FOR GENERAL NOTES AND REFERENCES.

**GEORGIA**  
DEPARTMENT OF NATURAL RESOURCES  
ENVIRONMENTAL PROTECTION DIVISION  
**Approved**  
Solid Waste Management Program  
Approved By: Keith Stevens

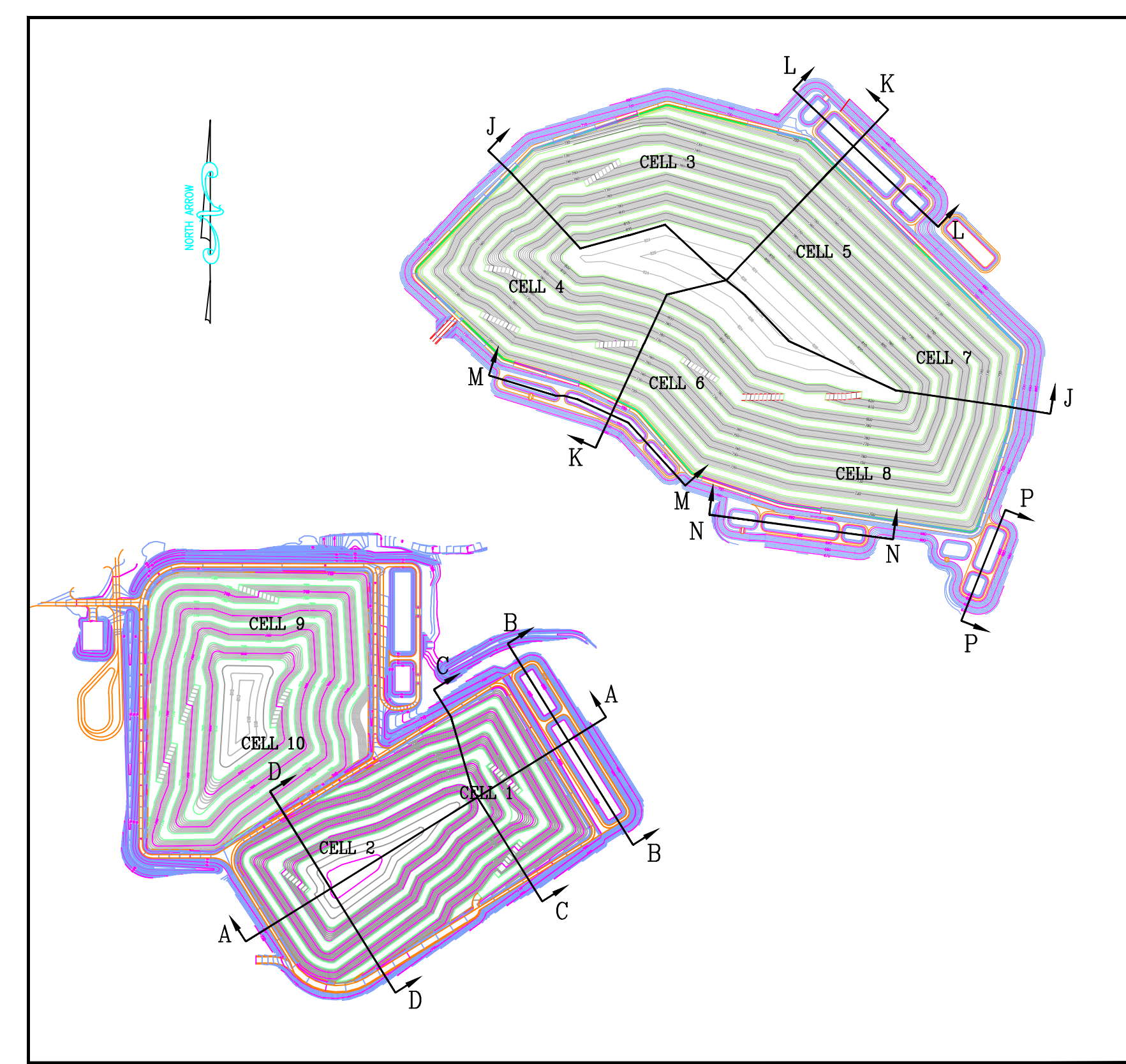


REVISION						REVISION						REVISION 0						Southern Company Generation FOR					
DATE						DATE						DATE 8/25/2022						GEORGIA POWER COMPANY					
												ISSUED FOR PERMIT						PLANT BOWEN CCR LANDFILL SECTION A-A					
BY	CHK'D	CIVIL APPR	ELECT APPR	I/C APPR	MECH APPR	BY	CHK'D	CIVIL APPR	ELECT APPR	I/C APPR	MECH APPR	BY	CHK'D	CIVIL APPR	ELECT APPR	I/C APPR	MECH APPR	SCALE	PROJ. I.D.	DRAWING NUMBER	SH	CONT'D	REV
												ANR	RBL					AS SHOWN	10207	<b>H-15087</b>	1	FINAL	0

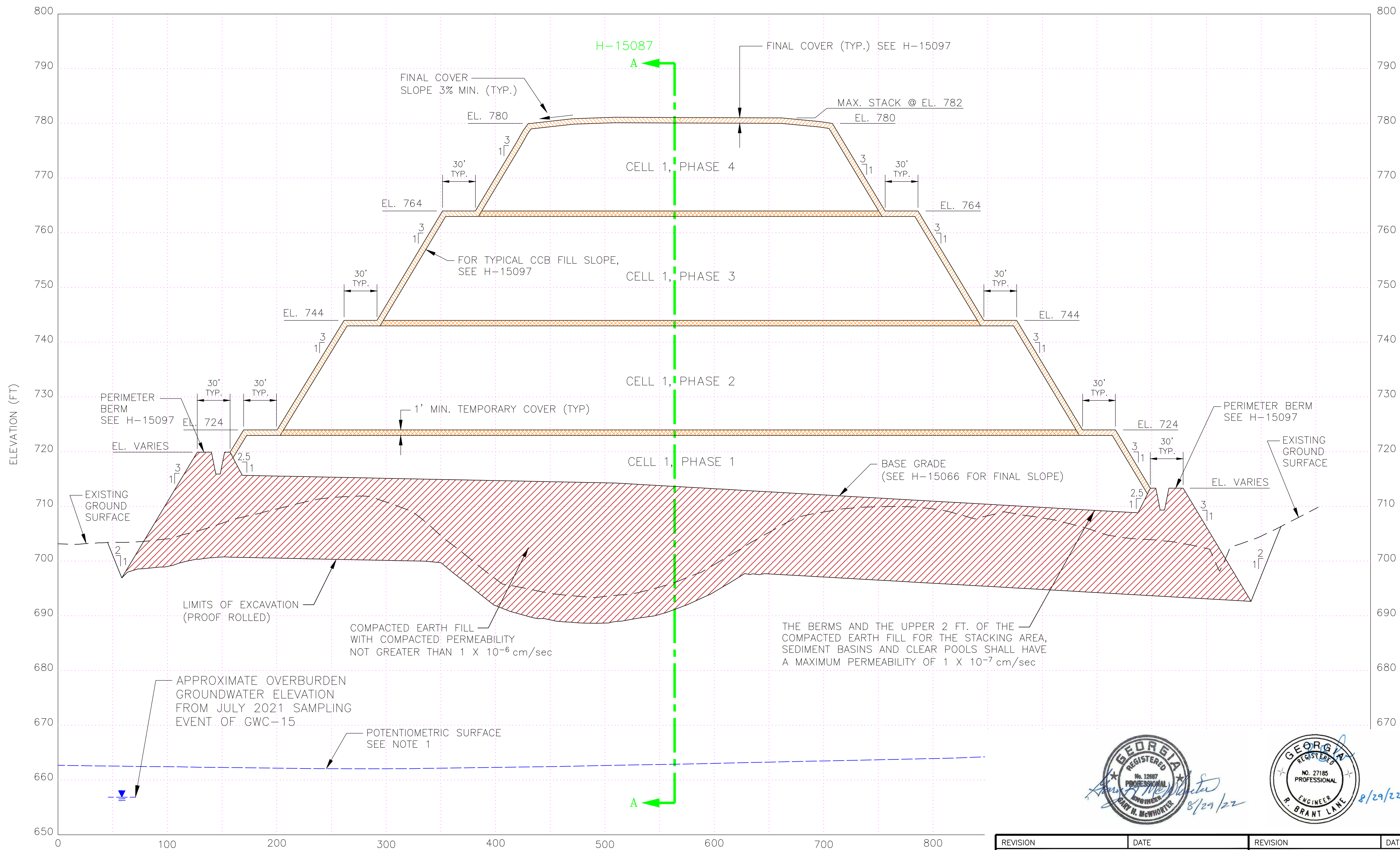




**SECTION B-B**  
SCALE H: 1"=50' V: 1"=10'



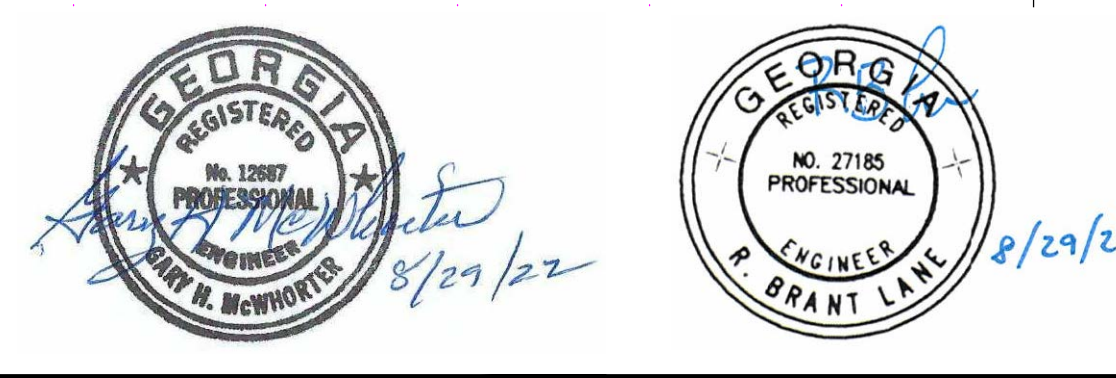
**KEY PLAN**  
NOT TO SCALE



**SECTION C-C**  
SCALE H: 1"=50' V: 1"=10'

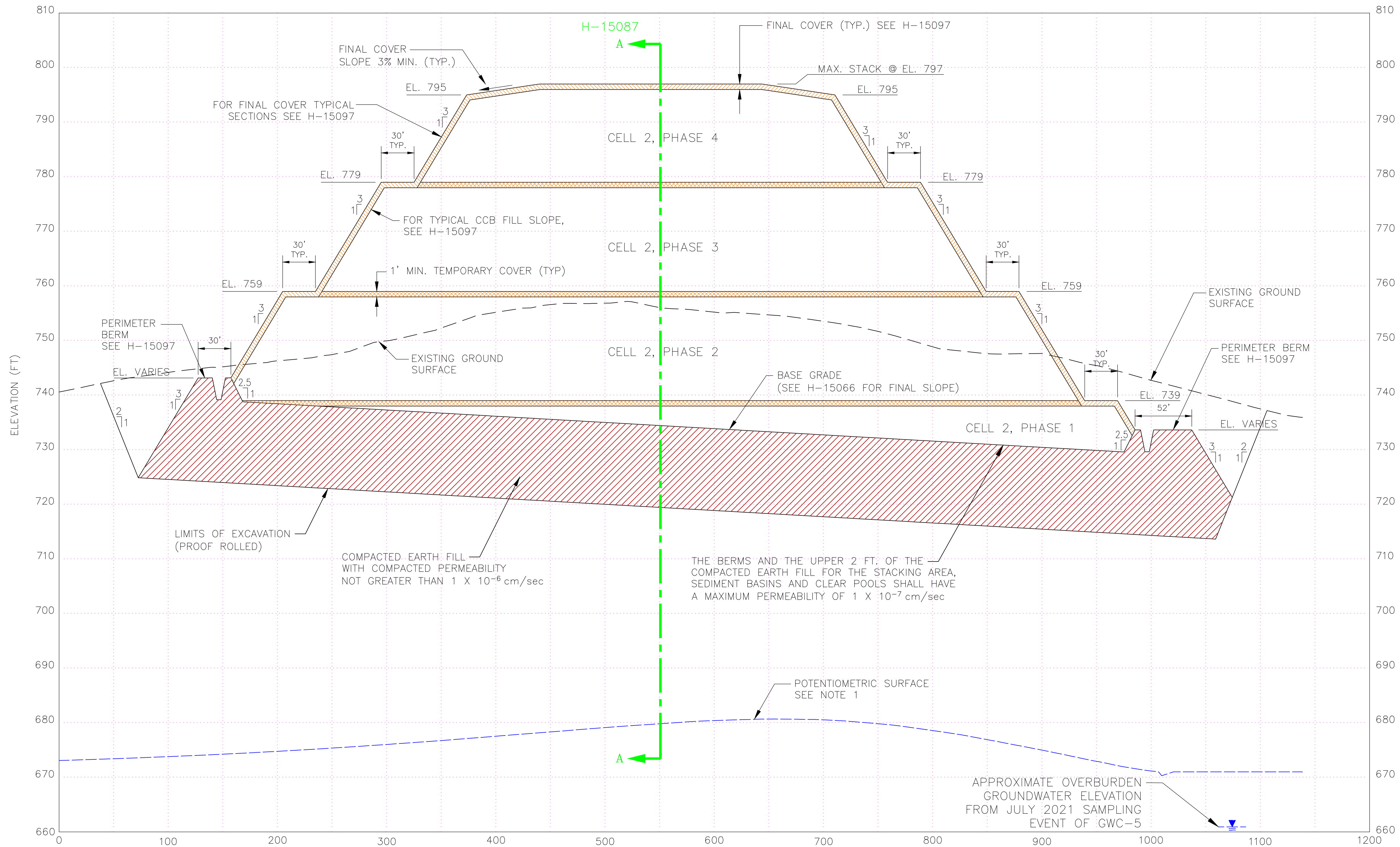
**NOTES:**  
1. THE POTENTIOMETRIC SURFACE WAS TAKEN FROM THE WATER LEVEL ELEVATIONS SHOWN FOR THE DATE OF DECEMBER 18, 2002 IN PELA, INC.'S "TABLE 3-1; GROUNDWATER LEVELS AND TOP OF UNWEATHERED BEDROCK", DATED JANUARY 6, 2004, PROVIDED AS PART OF "ADDENDUM I, SITE ACCEPTABILITY REPORT, HYDROGEOLOGICAL ASSESSMENT AND DEMONSTRATION OF ENGINEERING MEASURES", DATED JULY 2004.

**REFERENCE DRAWINGS:**  
1. FOR A COMPLETE DRAWING LIST SEE SHEET H-15061.  
2. SEE SHEET H-15063 FOR GENERAL NOTES AND REFERENCES.



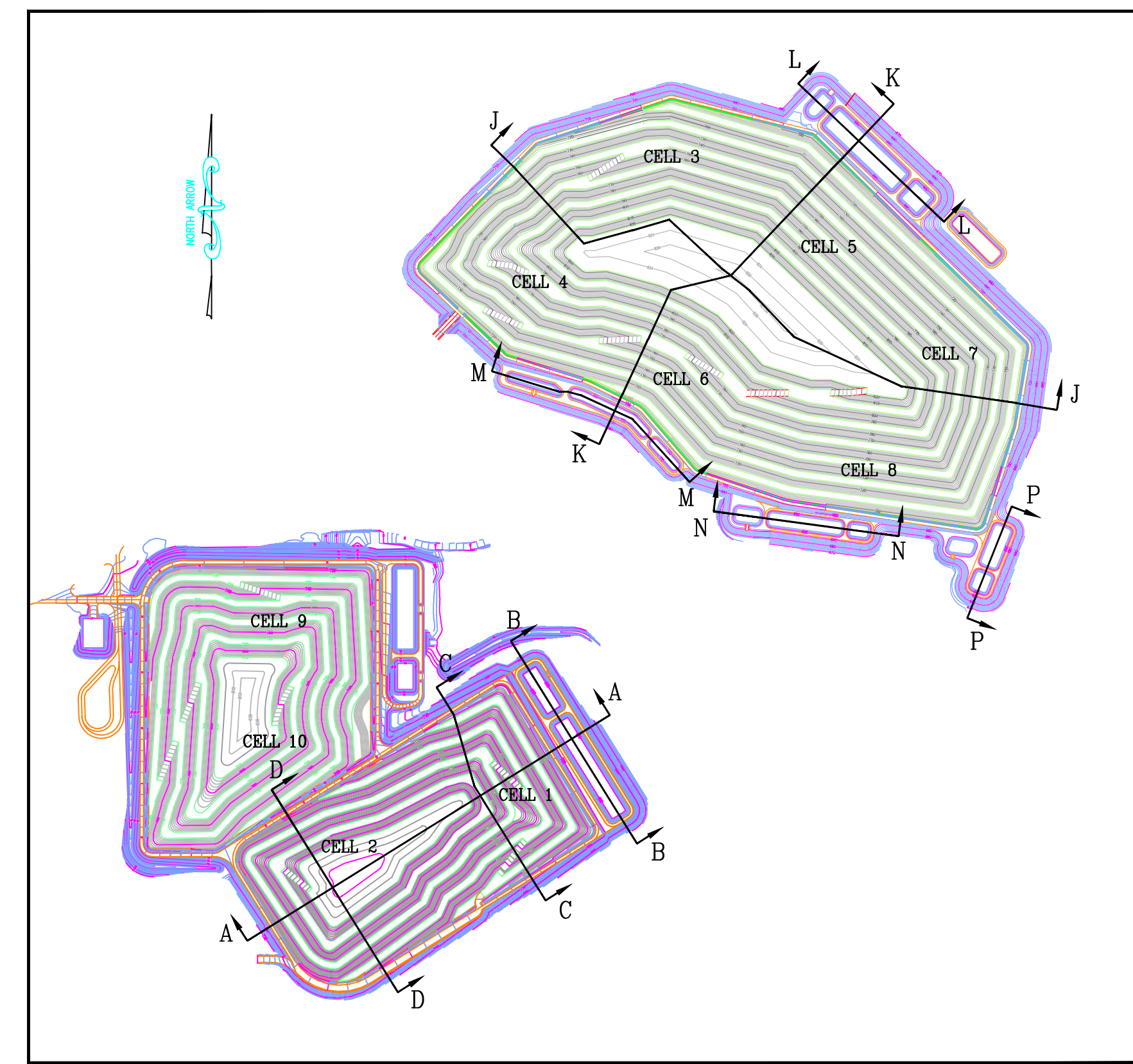
REVISION		DATE		REVISION		DATE		REVISION		DATE		Southern Company Generation FOR <b>GEORGIA POWER COMPANY</b>				
								ISSUED FOR PERMIT		8/25/2022		PLANT BOWEN CCR LANDFILL SECTIONS B-B & C-C				
BY	CHK'D	CIVL APPR	ELECT APPR	I/C APPR	MECH APPR	MGR APPR	BY	CHK'D	CIVL APPR	ELECT APPR	I/C APPR	MECH APPR	MGR APPR			
							ANR	RBL								
SCALE												PROJ. I.D.	DRAWING NUMBER	SH	CONT'D	REV
AS SHOWN												10207	<b>H-15088</b>	1	FINAL	0





**SECTION D-D**

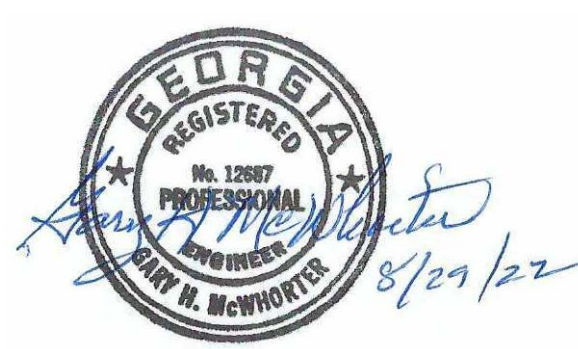
SCALE H: 1"=50' V: 1"=10'



**KEY PLAN**  
NOT TO SCALE

**NOTES:**  
 1. THE POTENTIOMETRIC SURFACE WAS TAKEN FROM THE WATER LEVEL ELEVATIONS SHOWN FOR THE DATE OF DECEMBER 18, 2002 IN PELA, INC.'S "TABLE 3-1; GROUNDWATER LEVELS AND TOP OF UNWEATHERED BEDROCK", DATED JANUARY 6, 2004, PROVIDED AS PART OF "ADDENDUM I, SITE ACCEPTABILITY REPORT, HYDROGEOLOGICAL ASSESSMENT AND DEMONSTRATION OF ENGINEERING MEASURES", DATED JULY 2004.

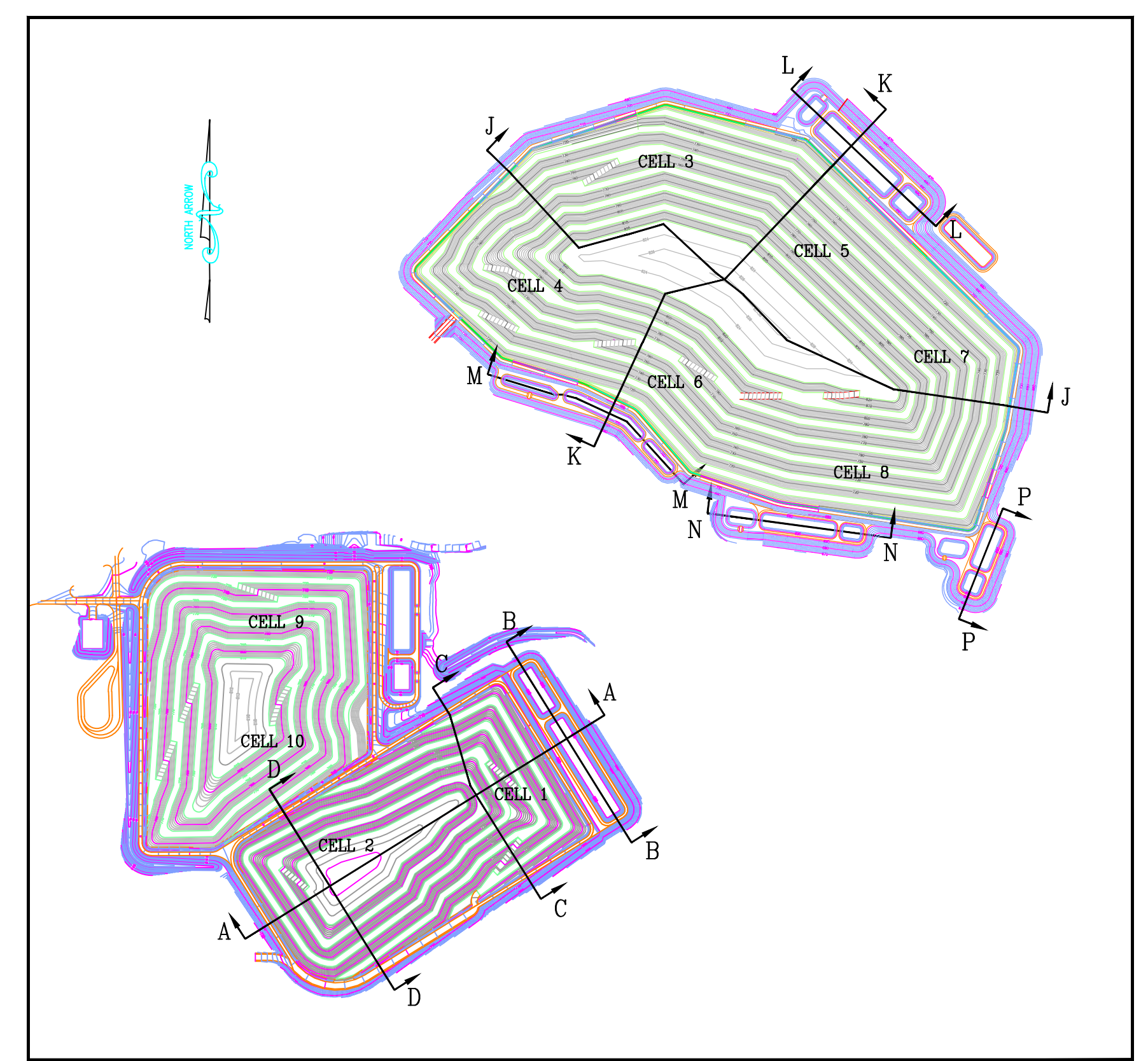
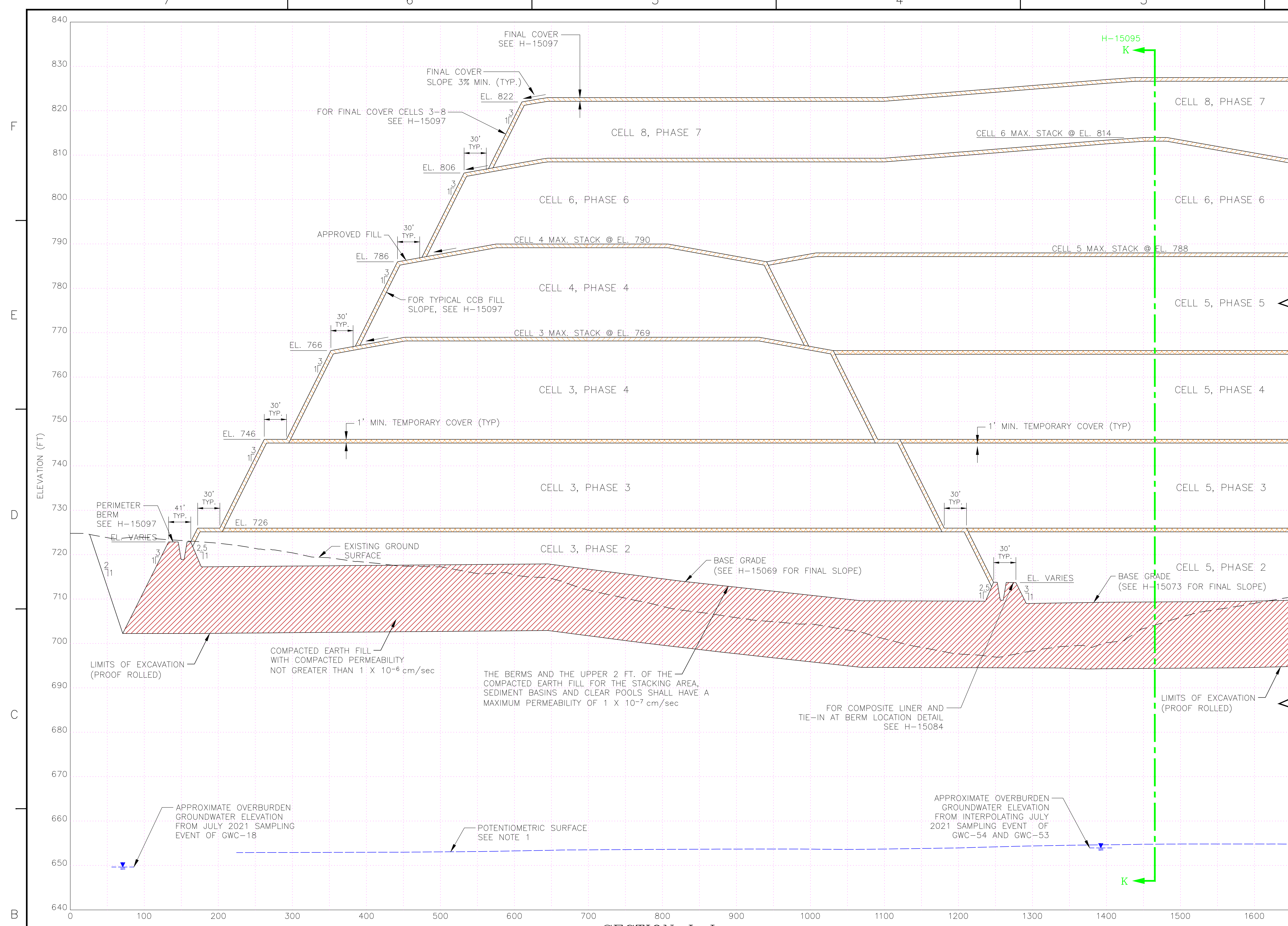
**REFERENCE DRAWINGS:**  
 1. FOR A COMPLETE DRAWING LIST SEE SHEET H-15061.  
 2. SEE SHEET H-15063 FOR GENERAL NOTES AND REFERENCES.



REVISION	DATE	REVISION	DATE

REVISION 0		DATE 8/25/2022		Southern Company Generation FOR <b>GEORGIA POWER COMPANY</b>	
ISSUED FOR PERMIT				PLANT BOWEN CCR LANDFILL SECTION D-D	
BY	CHK'D	CIVL APPR	ELECT APPR	I/C APPR	MECH APPR
ANR	RBL				
SCALE AS SHOWN		PROJ. I.D. 10207		DRAWING NUMBER <b>H-15089</b>	
				SHEET 1 OF 1	



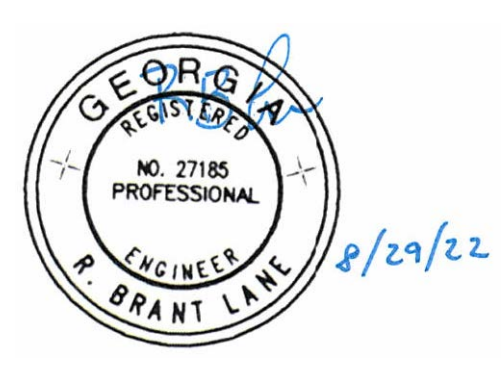
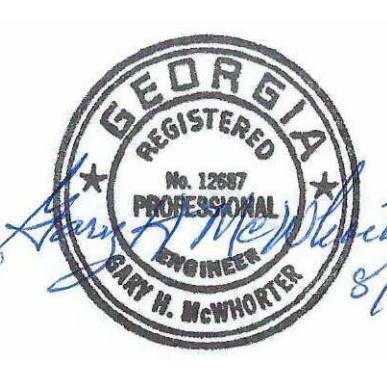


**KEY PLAN**  
NOT TO SCALE

**SECTION J-J**  
SCALE H: 1" = 60' V: 1" = 10'

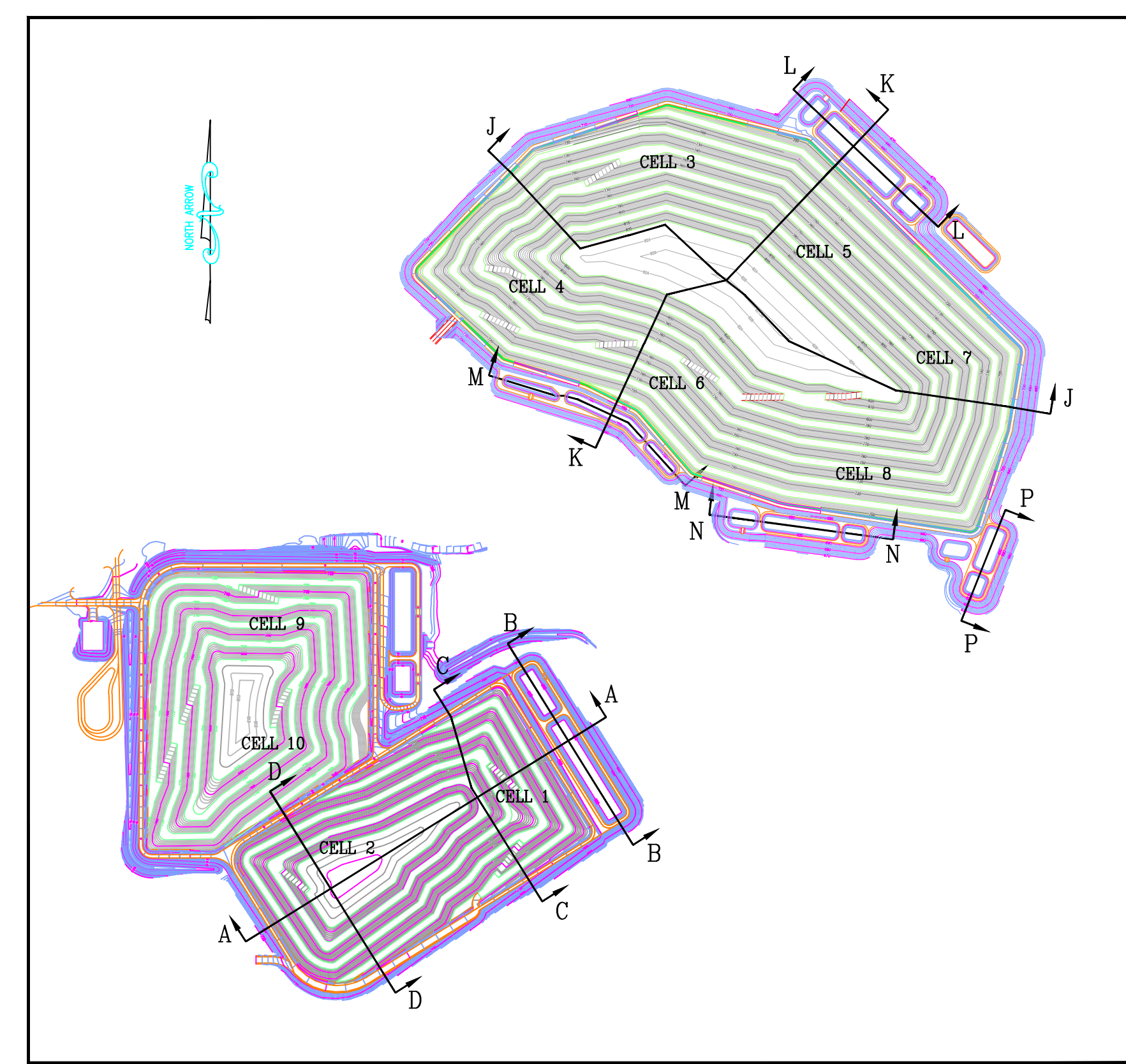
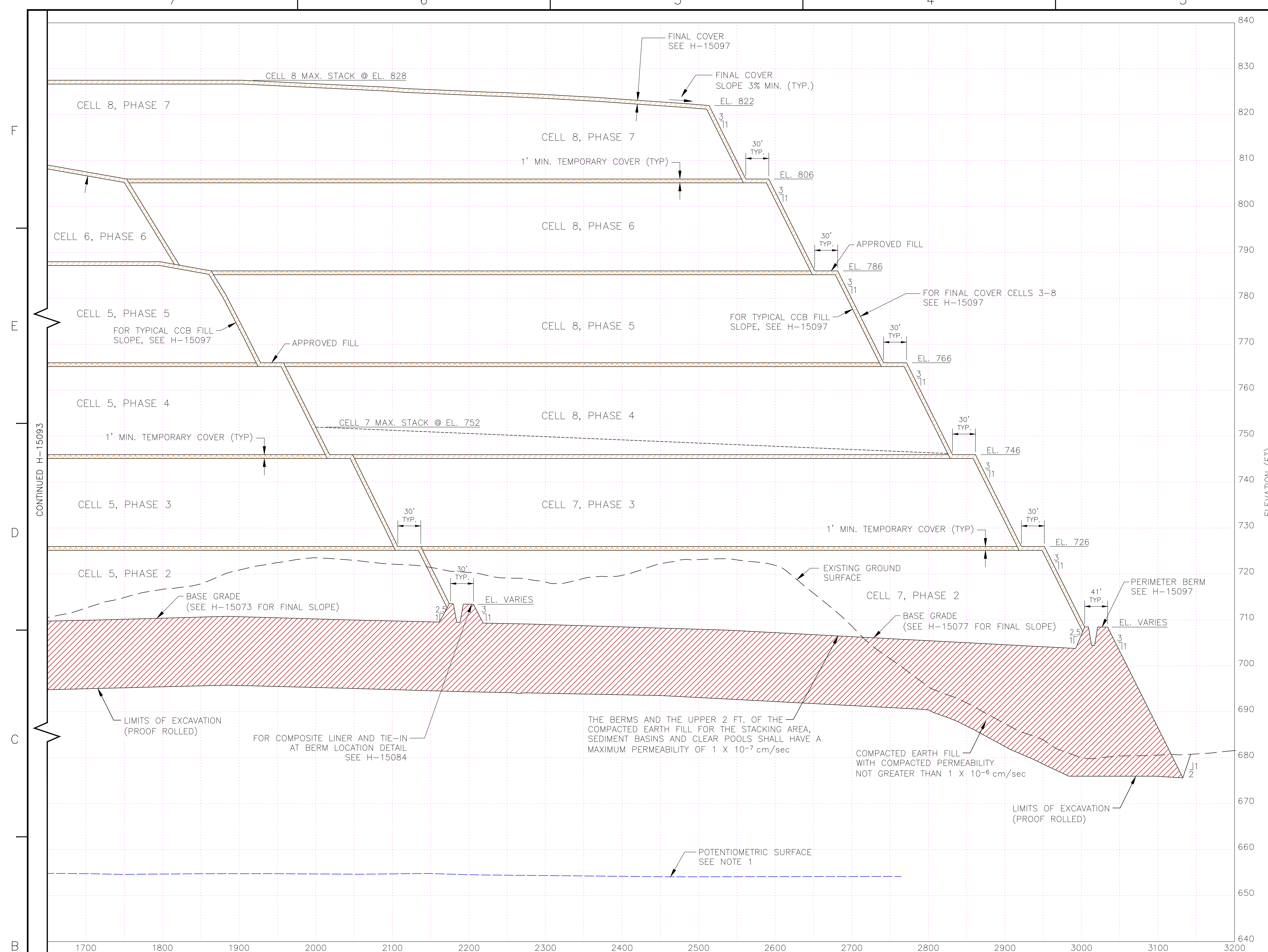
**NOTES:**  
1. THE POTENTIOMETRIC SURFACE WAS TAKEN FROM THE WATER LEVEL ELEVATIONS SHOWN FOR THE DATE OF DECEMBER 18, 2002 IN P.E.L.A., INC.'S "TABLE 3-1; GROUNDWATER LEVELS AND TOP OF UNWEATHERED BEDROCK", DATED JANUARY 6, 2004, PROVIDED AS PART OF "ADDENDUM I, SITE ACCEPTABILITY REPORT, HYDROGEOLOGICAL ASSESSMENT AND DEMONSTRATION OF ENGINEERING MEASURES", DATED JULY 2004.

**REFERENCE DRAWINGS:**  
1. FOR A COMPLETE DRAWING LIST SEE SHEET H-15061.  
2. SEE SHEET H-15063 FOR GENERAL NOTES AND REFERENCES.



REVISION		DATE	REVISION		DATE	REVISION		DATE	Southern Company Generation FOR										
						ISSUED FOR PERMIT		8/25/2022	<b>GEORGIA POWER COMPANY</b>										
									PLANT BOWEN CCR LANDFILL SECTION J-J										
BY	CHK'D	CIVIL APPR	ELECT APPR	I/C APPR	MECH APPR	MGR APPR	BY	CHK'D	CIVIL APPR	ELECT APPR	I/C APPR	MECH APPR	MGR APPR	SCALE	PROJ. I.D.	DRAWING NUMBER	SH	CONT'D	REV
							ANR	RBL						AS SHOWN	10207	<b>H-15093</b>	1	FINAL	0

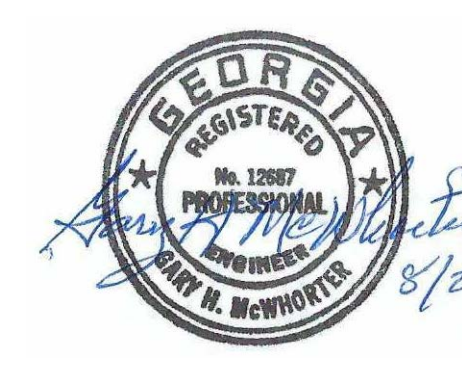




**SECTION J-J (CONTINUED)**  
SCALE H: 1" = 60' V: 1" = 10'

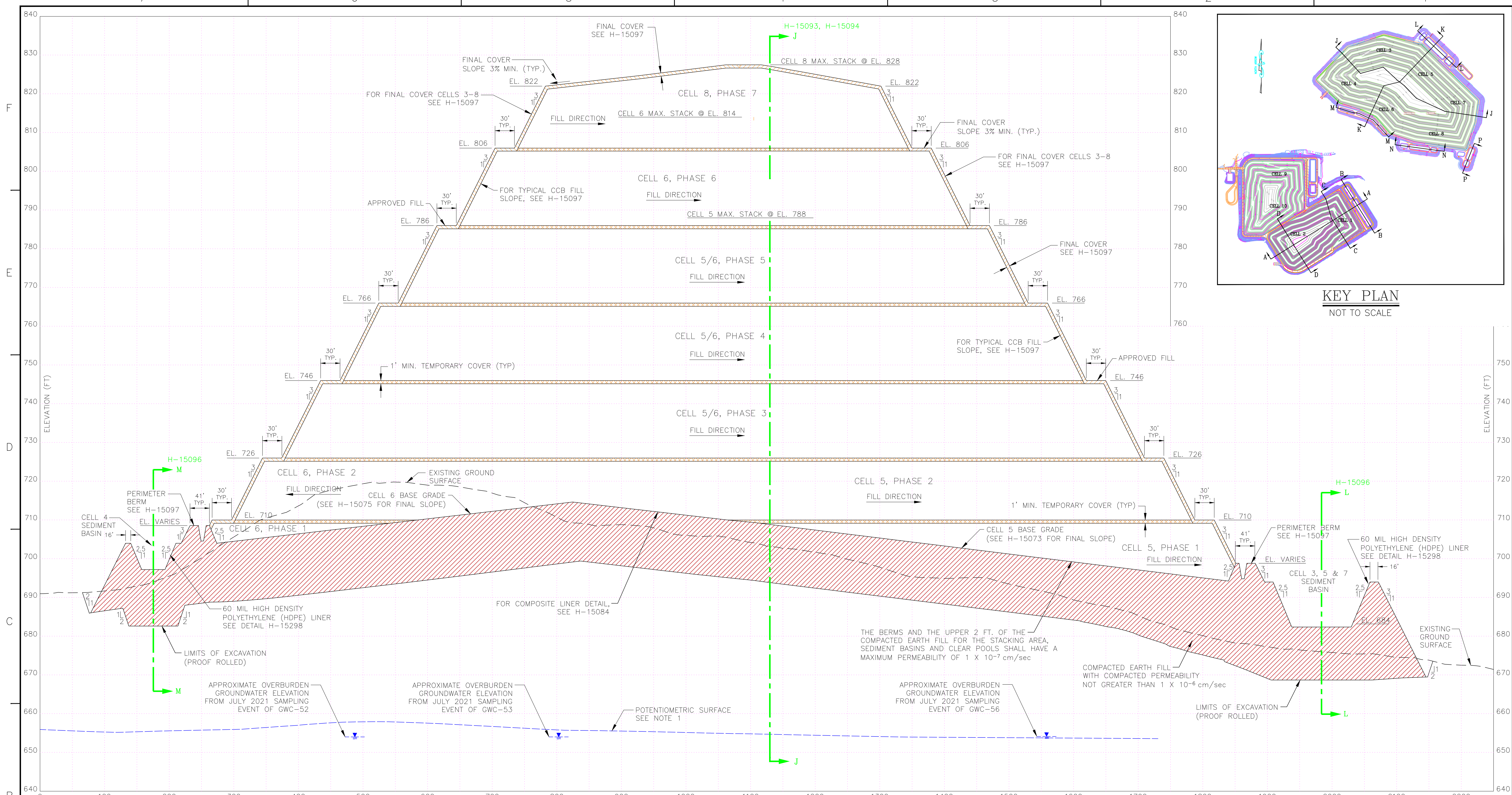
**NOTES:**  
1. THE POTENTIOMETRIC SURFACE WAS TAKEN FROM THE WATER LEVEL ELEVATIONS SHOWN FOR THE DATE OF DECEMBER 18, 2002 IN P.E.L.A., INC.'S "TABLE 3-1; GROUNDWATER LEVELS AND TOP OF UNWEATHERED BEDROCK", DATED JANUARY 6, 2004, PROVIDED AS PART OF "ADDENDUM I, SITE ACCEPTABILITY REPORT, HYDROGEOLOGICAL ASSESSMENT AND DEMONSTRATION OF ENGINEERING MEASURES", DATED JULY 2004.

**REFERENCE DRAWINGS:**  
1. FOR A COMPLETE DRAWING LIST SEE SHEET H-15061.  
2. SEE SHEET H-15063 FOR GENERAL NOTES AND REFERENCES.



REVISION 2		DATE	REVISION 0		DATE 8/25/2022	Southern Company Generation FOR	
			ISSUED FOR PERMIT				<b>GEORGIA POWER COMPANY</b>
							PLANT BOWEN CCR LANDFILL SECTION J-J (CONTINUED)
BY	CHK'D	CIVIL APPR	ELECT APPR	I/C APPR	MECH APPR	MGR APPR	SCALE
ANR	RBL						AS SHOWN
						PROJ. I.D.	DRAWING NUMBER
						10207	<b>H-15094</b>
						SH	CONT'D
						1	FINAL
						REV	0





**SECTION K-K**  
SCALE H: 1" = 60' V: 1" = 10'

**NOTES:**

1. THE POTENTIOMETRIC SURFACE WAS TAKEN FROM THE WATER LEVEL ELEVATIONS SHOWN FOR THE DATE OF DECEMBER 18, 2002 IN PELA, INC.'S "TABLE 3-1; GROUNDWATER LEVELS AND TOP OF UNWEATHERED BEDROCK", DATED JANUARY 6, 2004, PROVIDED AS PART OF "ADDENDUM I, SITE ACCEPTABILITY REPORT, HYDROGEOLOGICAL ASSESSMENT AND DEMONSTRATION OF ENGINEERING MEASURES", DATED JULY 2004.

**REFERENCE DRAWINGS:**

1. FOR A COMPLETE DRAWING LIST SEE SHEET H-15061.
2. SEE SHEET H-15063 FOR GENERAL NOTES AND REFERENCES.

**Approved**  
Solid Waste Management Program  
Keith Stevens

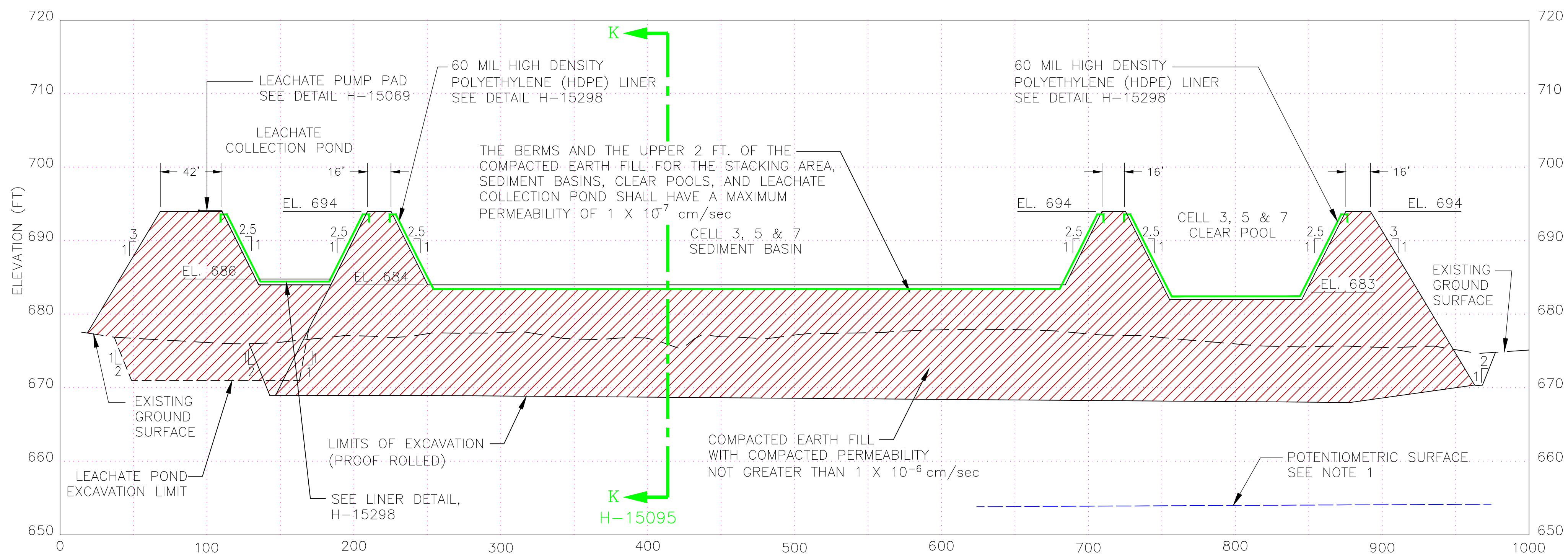
REVISION	DATE	REVISION	DATE	REVISION	DATE	REVISION	DATE

Southern Company Generation  
FOR  
**GEORGIA POWER COMPANY**

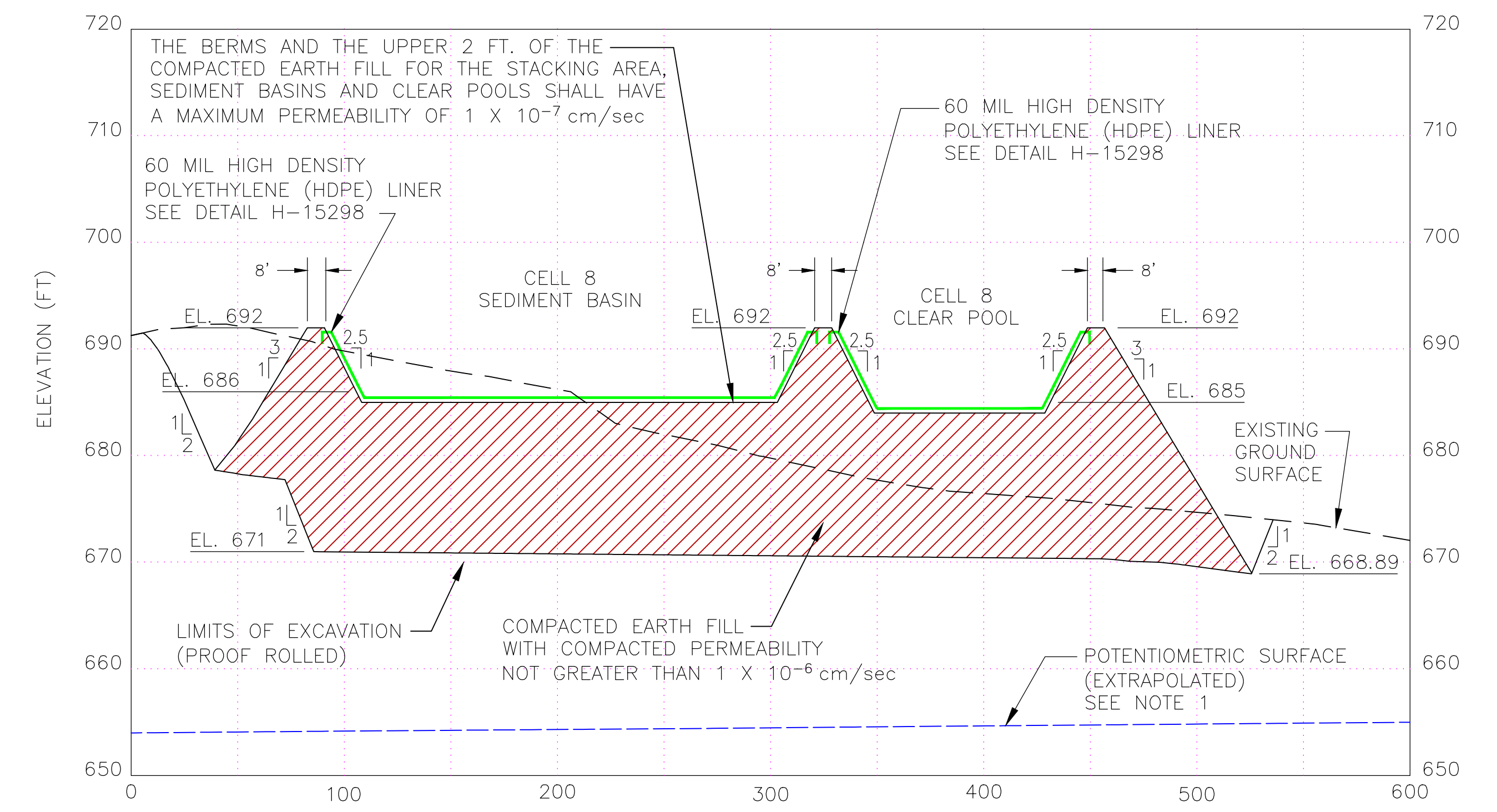
PLANT BOWEN  
CCR LANDFILL  
SECTION K-K

BY	CHK'D	CIVL APPR	ELECT APPR	I/C APPR	MECH APPR	MGR APPR
ANR	RBL					

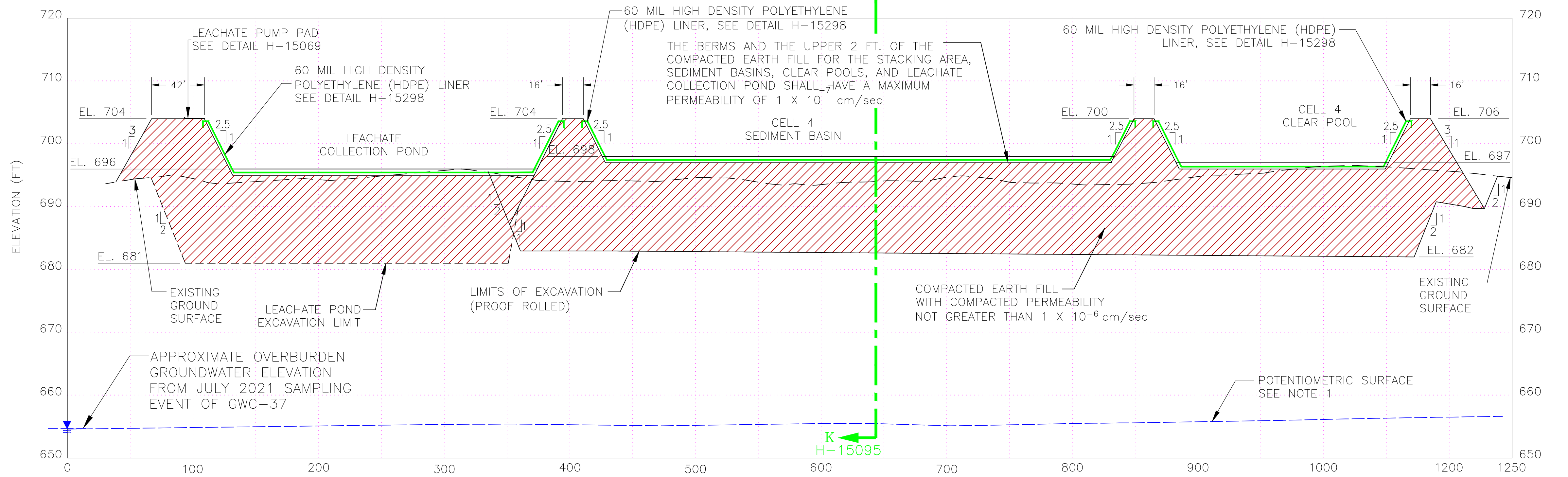
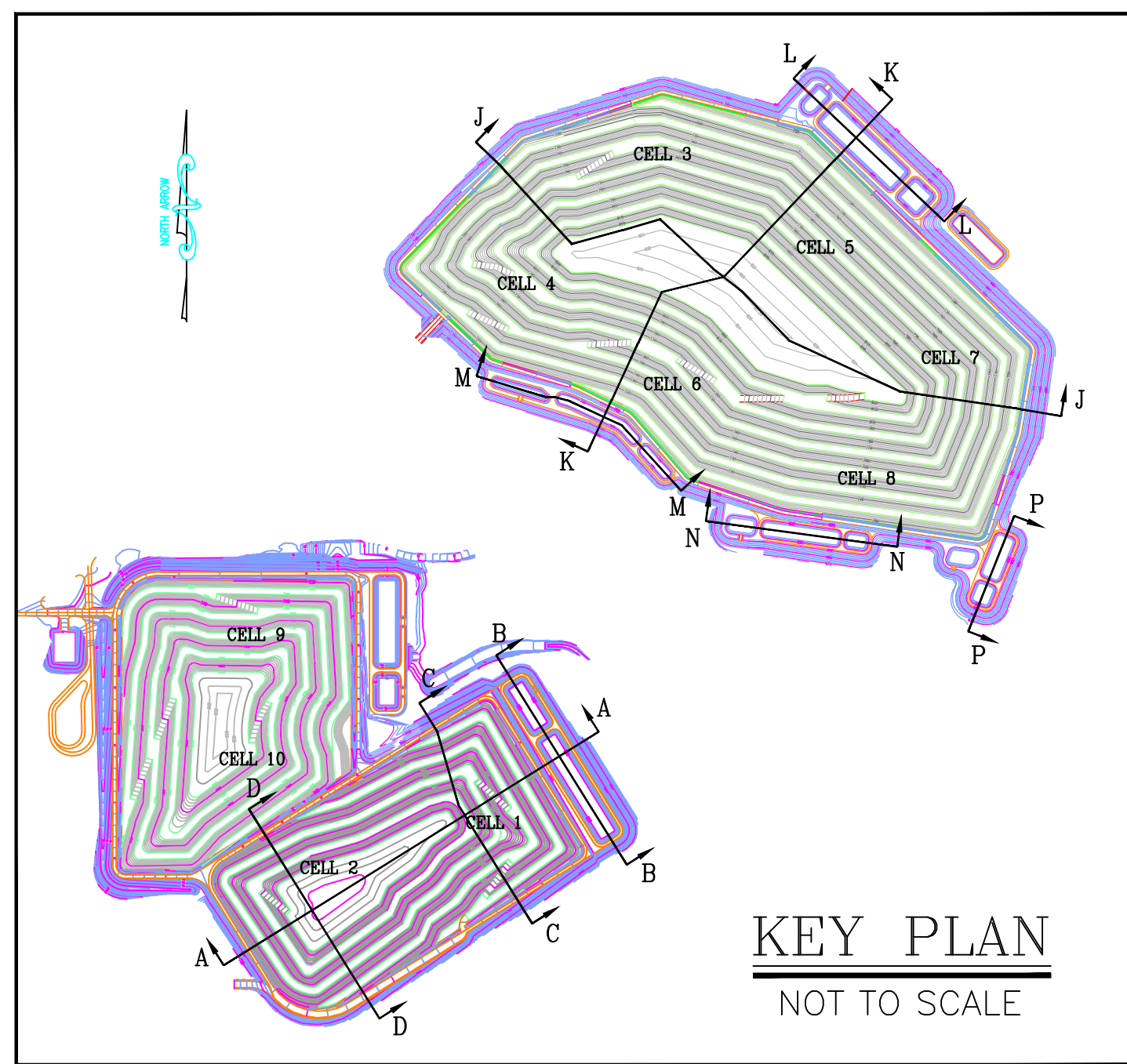




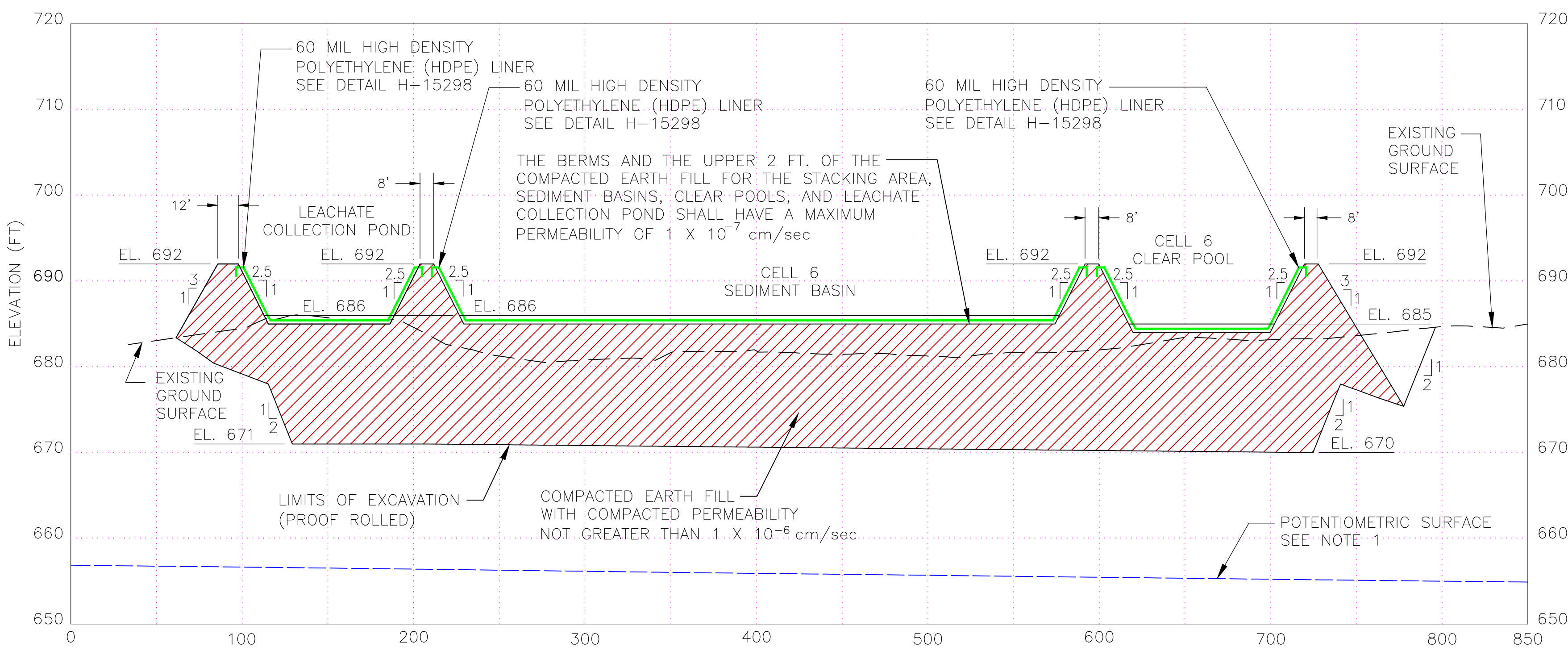
SECTION L-L  
SCALE H: 1"=50' V: 1"=10'



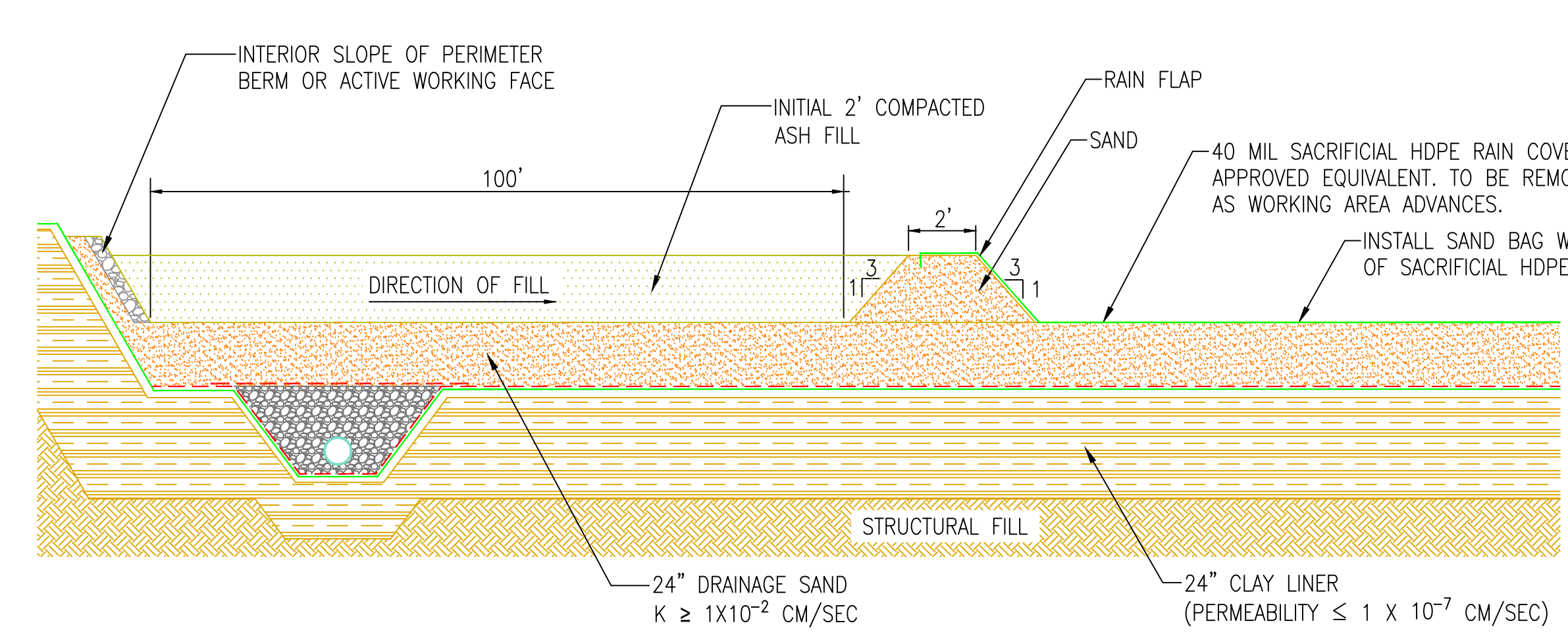
SECTION P-P  
SCALE H: 1"=50' V: 1"=10'



SECTION M-M  
SCALE H: 1"=50' V: 1"=10'



SECTION N-N  
SCALE H: 1"=50' V: 1"=10'



RAIN FLAP DETAIL  
N.T.S.

**NOTES:**  
1. THE POTENTIOMETRIC SURFACE WAS TAKEN FROM THE WATER LEVEL ELEVATIONS SHOWN FOR THE DATE OF DECEMBER 18, 2002 IN P.E.L.A., INC.'S "TABLE 3-1; GROUNDWATER LEVELS AND TOP OF UNWEATHERED BEDROCK", DATED JANUARY 6, 2004, PROVIDED AS PART OF "ADDENDUM I, SITE ACCEPTABILITY REPORT, HYDROGEOLOGICAL ASSESSMENT AND DEMONSTRATION OF ENGINEERING MEASURES", DATED JULY 2004.

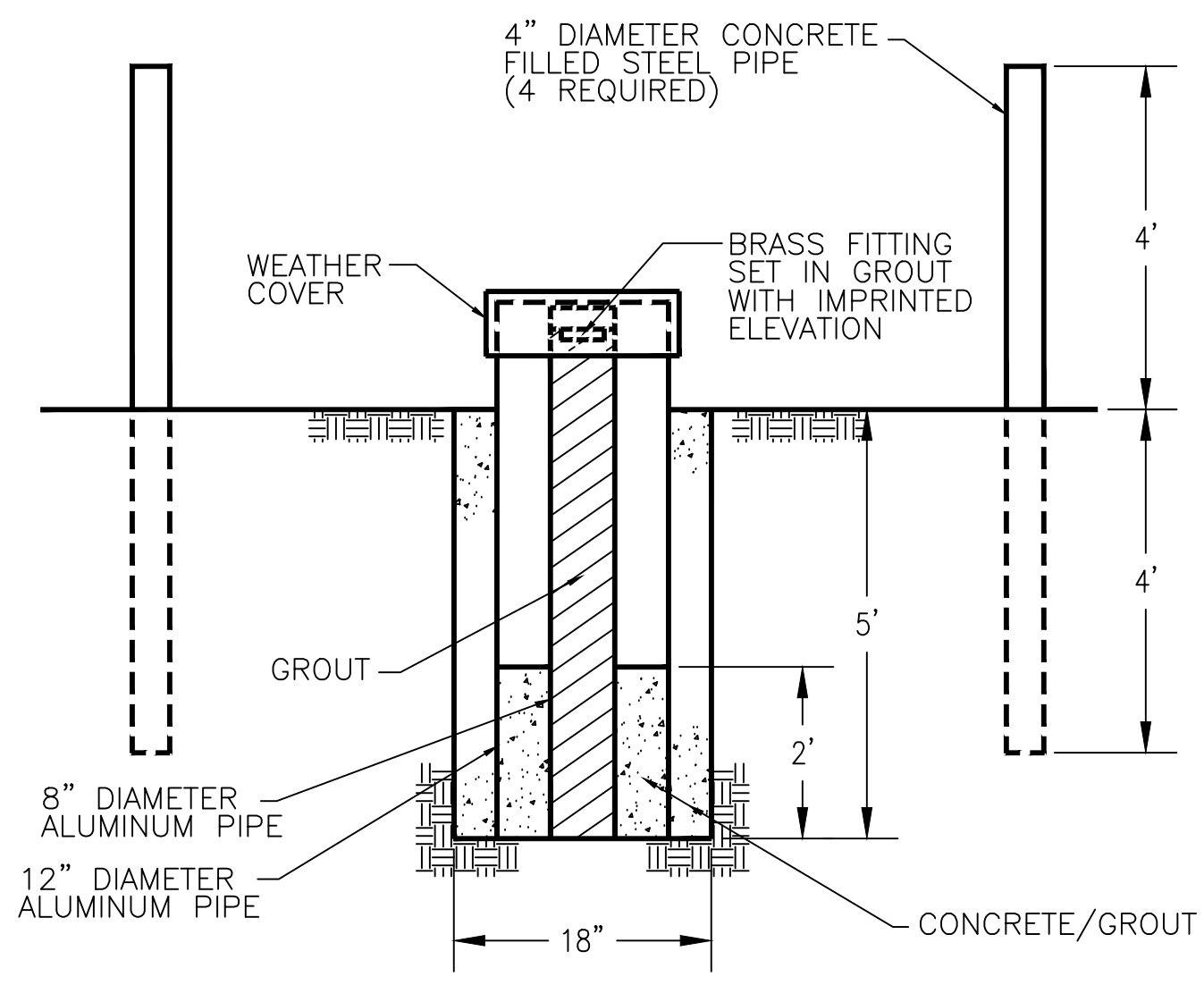
**REFERENCE DRAWINGS:**  
1. FOR A COMPLETE DRAWING LIST SEE SHEET H-15061.  
2. SEE SHEET H-15063 FOR GENERAL NOTES AND REFERENCES.

Professional Engineer stamps for Georgia: No. 27185, Environmental Protection Division, Approved Solid Waste Management Program, Keith Stevens, 8/29/22.

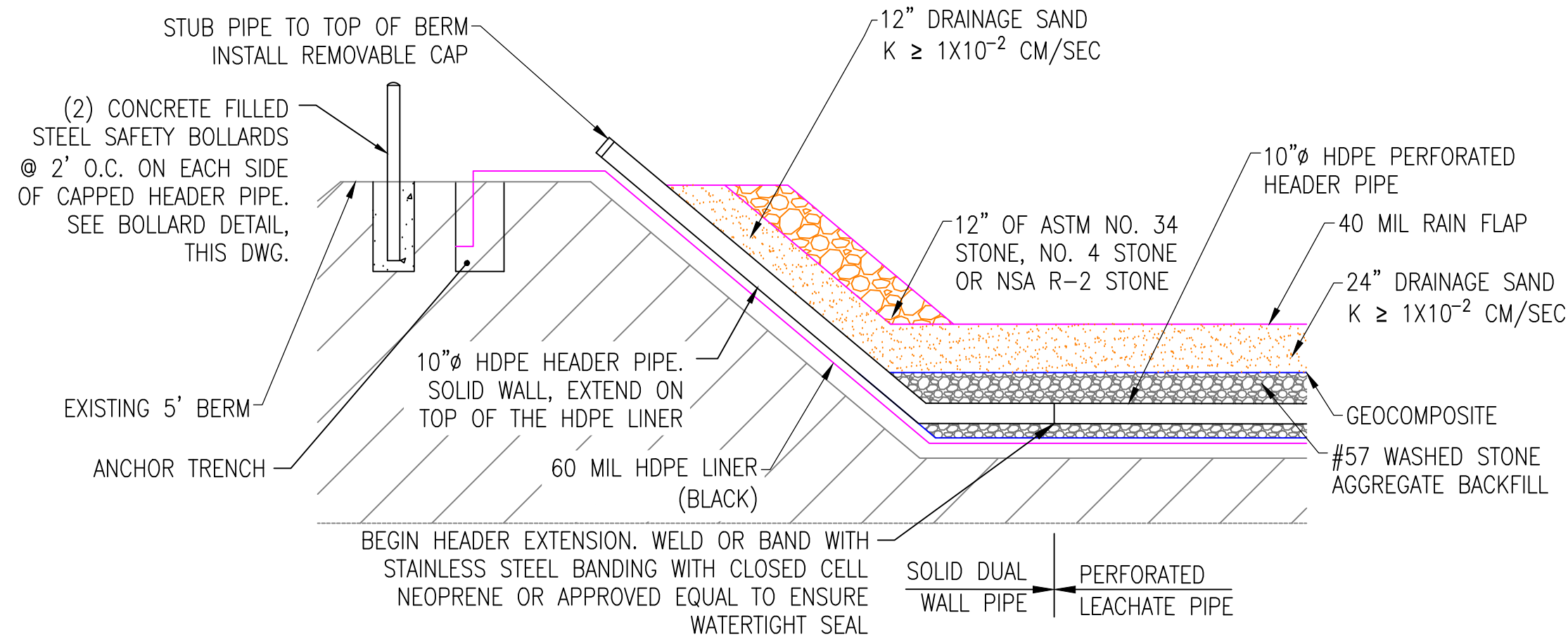
REVISION	DATE	REVISION	DATE	REVISION	DATE	REVISION	DATE

Southern Company Generation FOR GEORGIA POWER COMPANY  
PLANT BOWEN CCB DISPOSAL FACILITY SECTIONS L-L, M-M, N-N & P-P  
ISSUED FOR PERMIT  
REVISION 0 DATE 8/25/2022  
SCALE AS SHOWN PROJ. I.D. 10207 DRAWING NUMBER H-15096 SH 1 CONTD. REV. 0  
ANSI F: 28x40 Acad2004

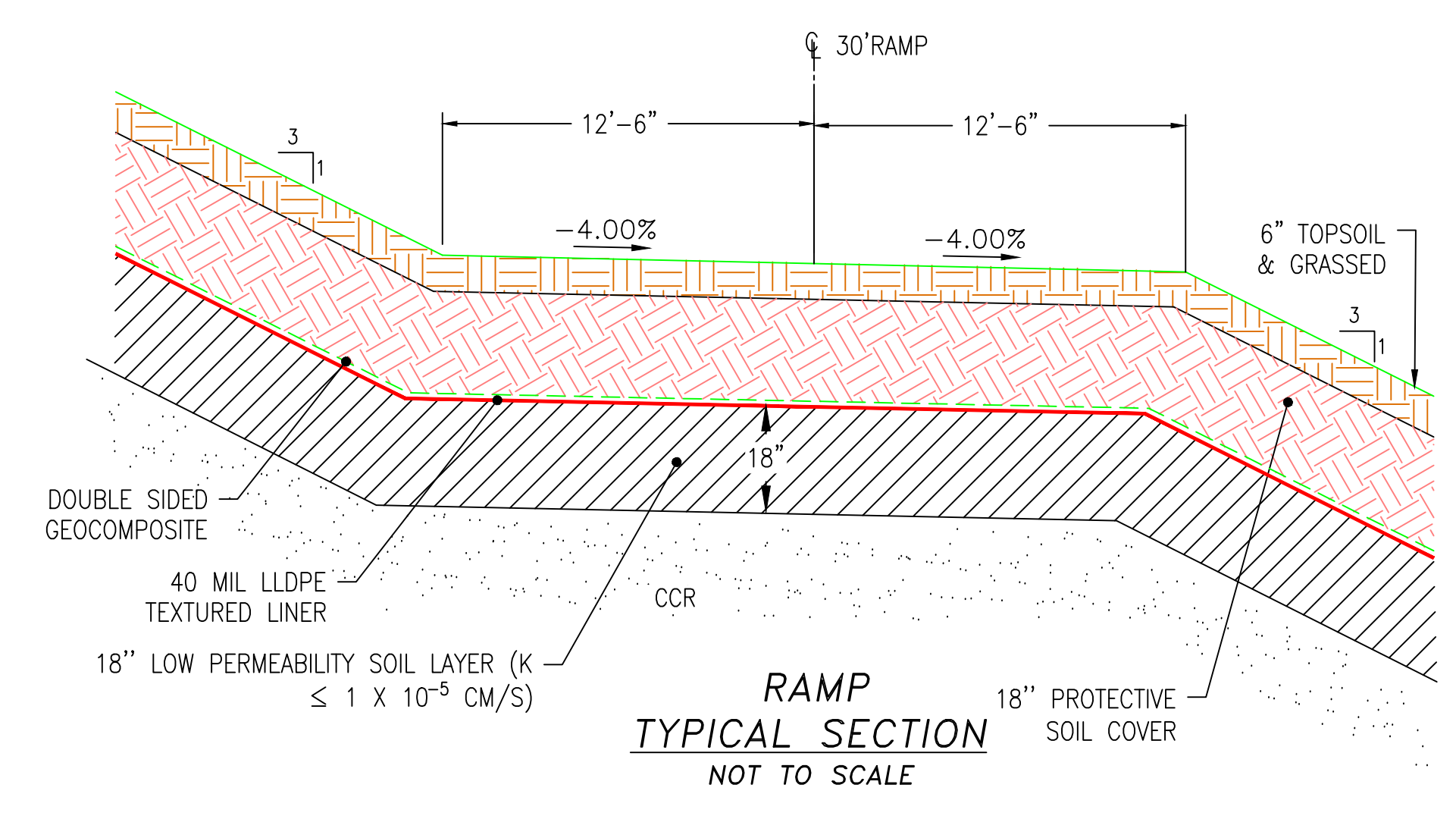




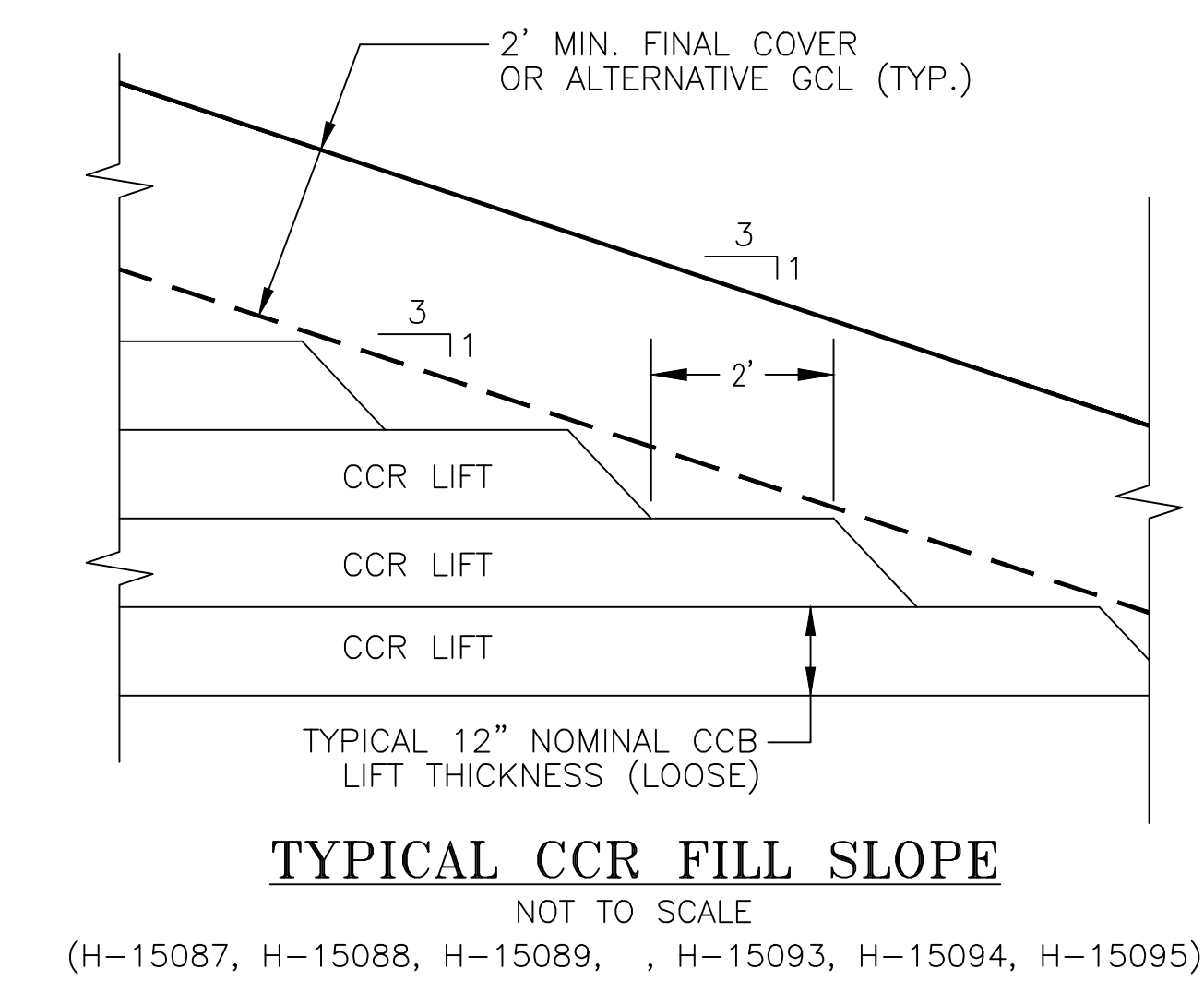
**SURVEY CONTROL MONUMENT**  
NOT TO SCALE  
(H-15062)



**LEACHATE COLLECTION AND REMOVAL SYSTEM (LCRS) CAPPED HEADER SECTION**  
NOT TO SCALE  
(H-15069, H-15071, H-15073, H-15075, H-15077, H-15079)

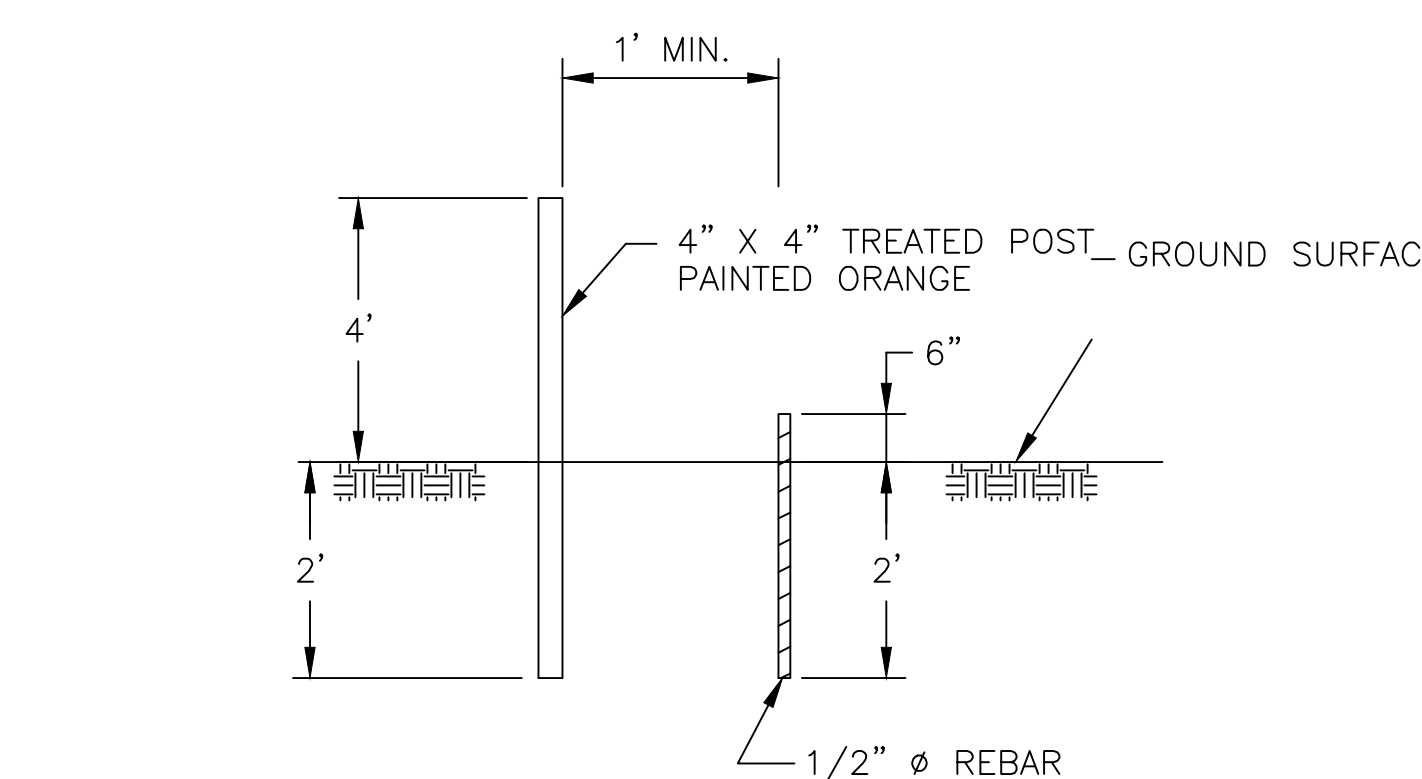


**RAMP TYPICAL SECTION**  
NOT TO SCALE

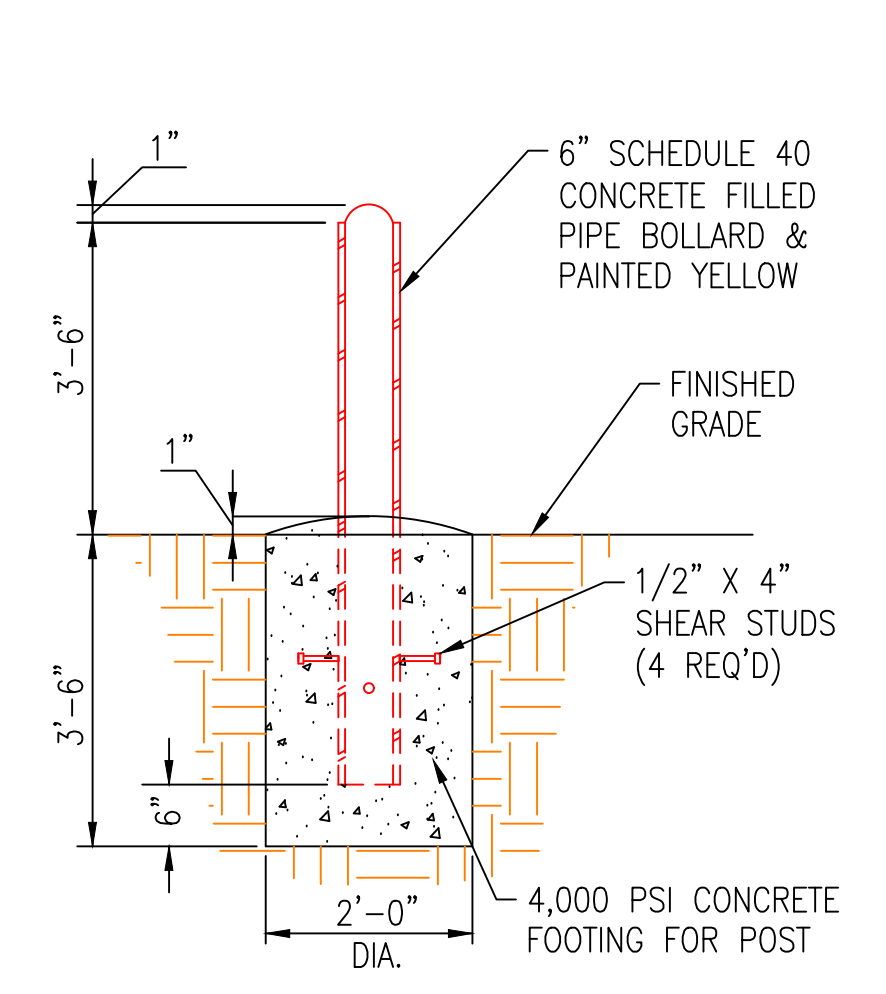


**TYPICAL CCR FILL SLOPE**  
NOT TO SCALE  
(H-15087, H-15088, H-15089, H-15093, H-15094, H-15095)

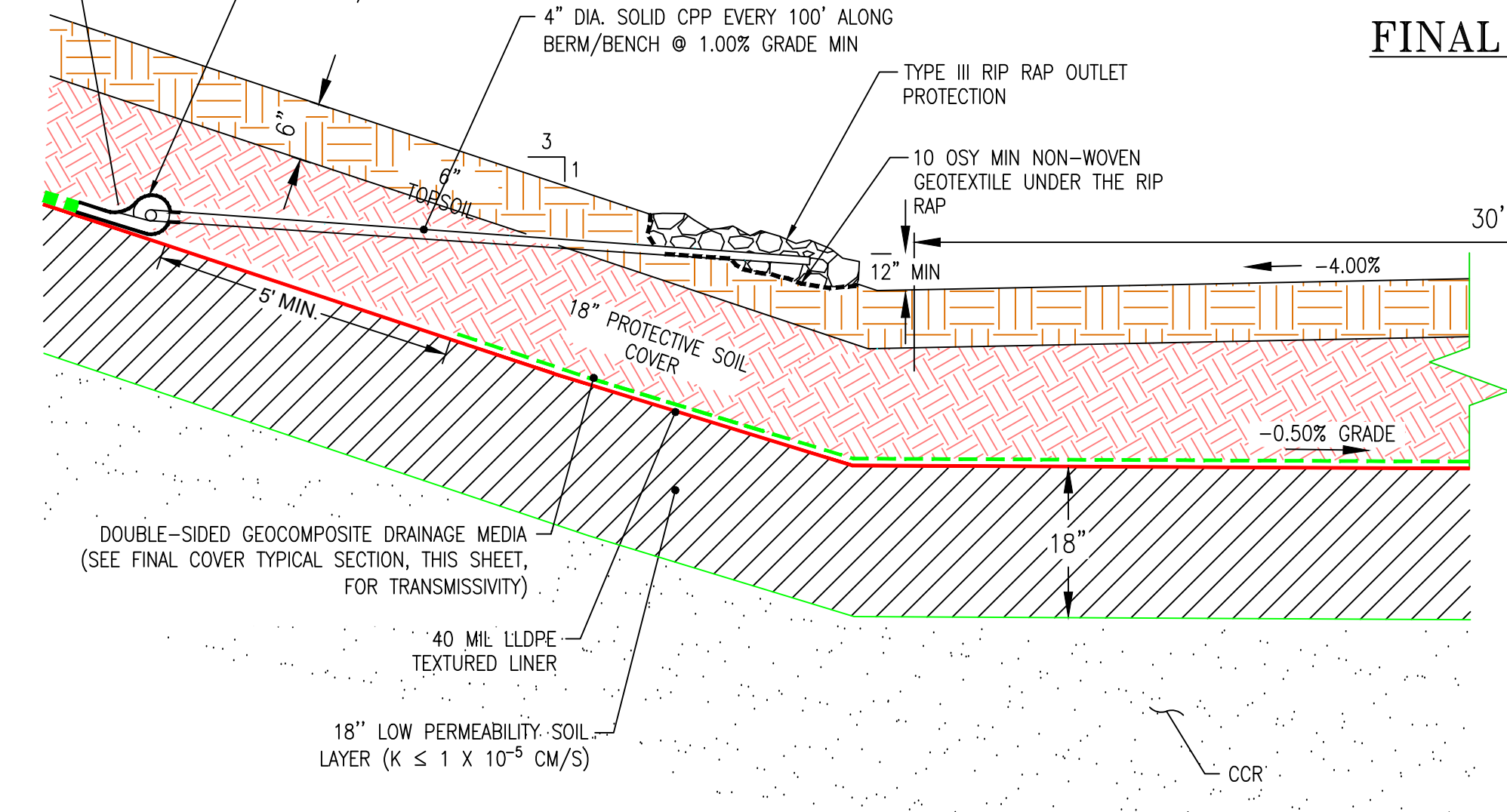
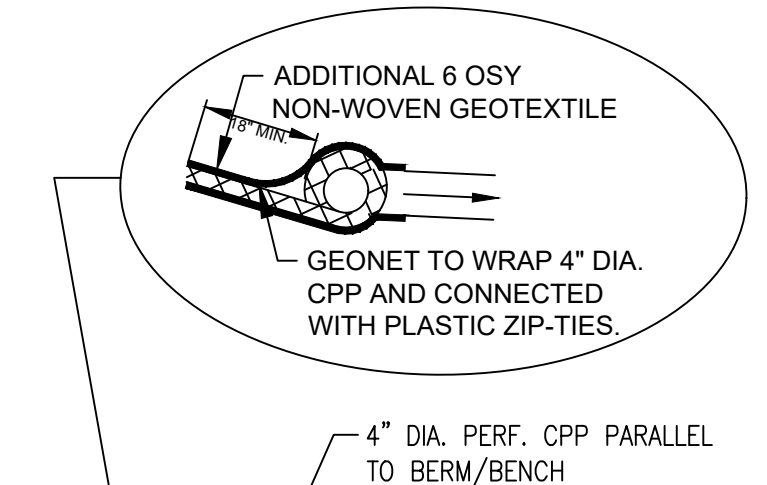
NOTE: CCB SLOPE SURFACE TO BE STEPPED AS SHOWN OR SURFACE ROUGHENED TO MINIMIZE EROSION



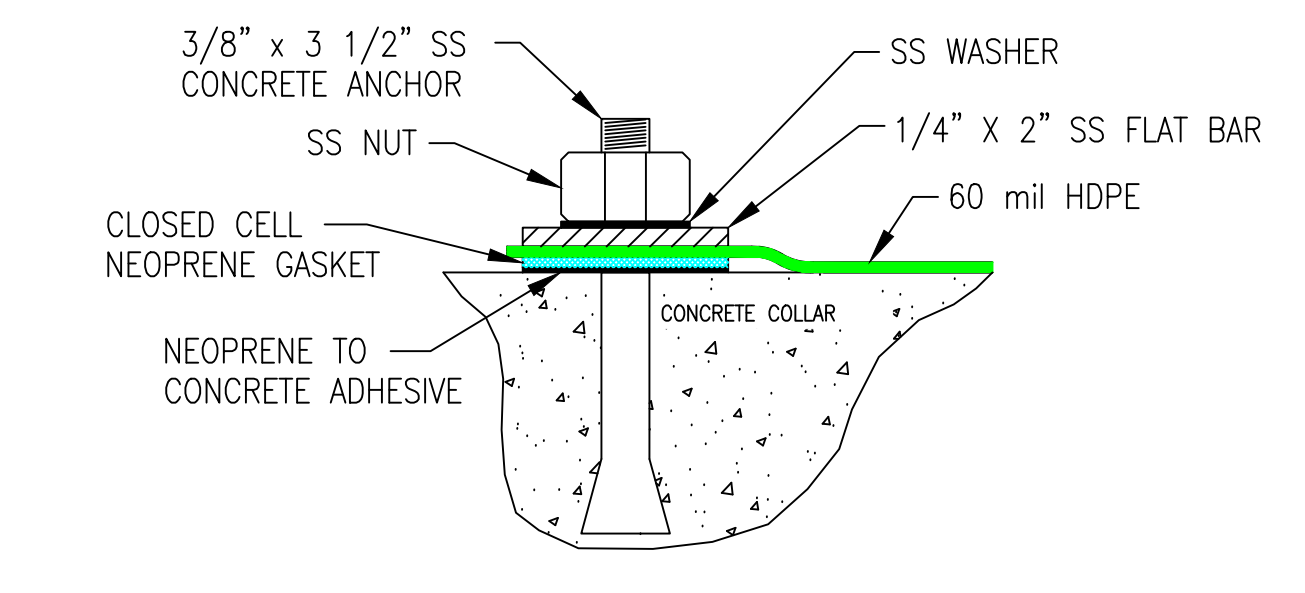
**TYPICAL DISPOSAL FACILITY BOUNDARY AND BUFFER ZONE PIN AND MARKER DETAIL**  
NOT TO SCALE  
(H-15062)



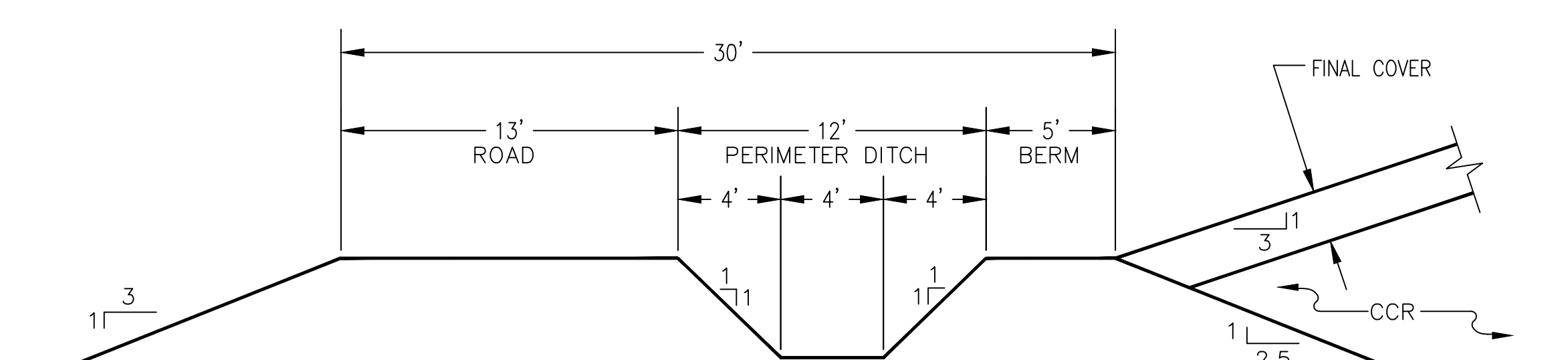
**BOLLARD DETAIL**  
N.T.S.



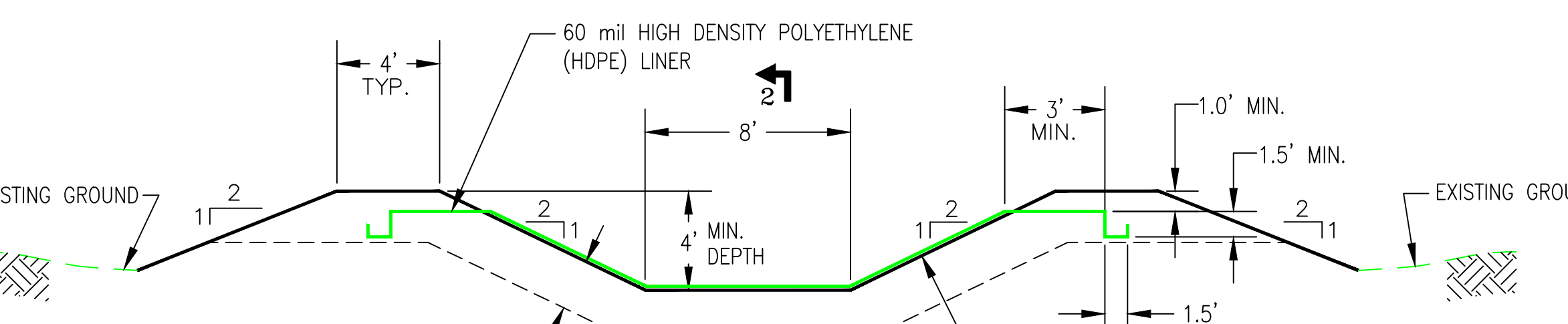
**FINAL COVER TYPICAL SECTION**  
NOT TO SCALE



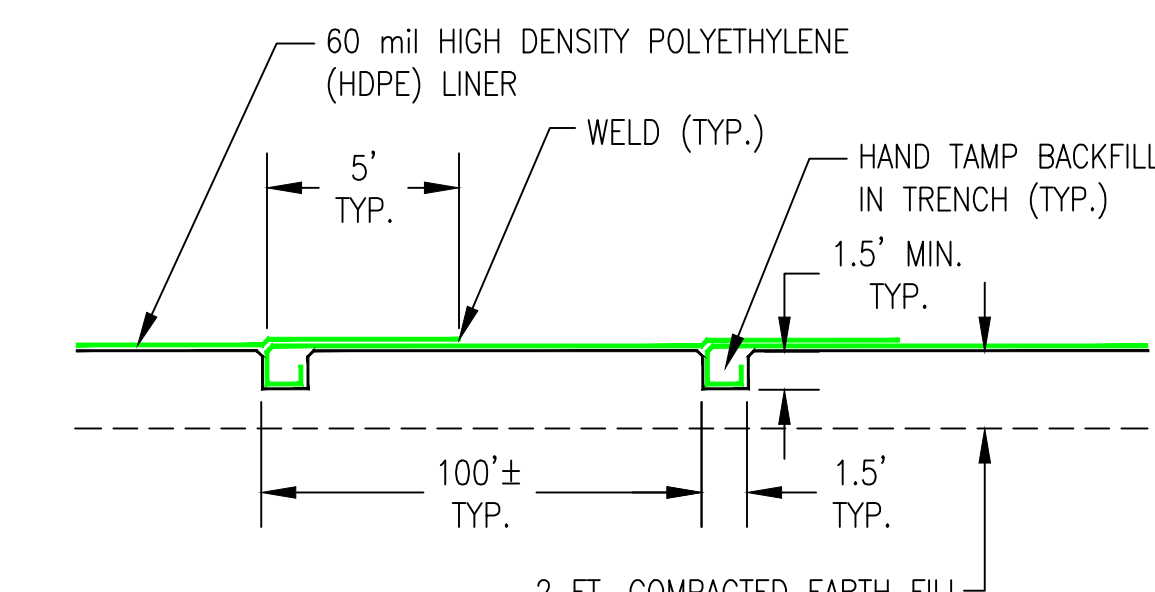
**BAR & ANCHOR DETAIL**  
NOT TO SCALE



**SECTION R-R TYPICAL PERIMETER BERM FOR CELLS 1 & 2**  
NOT TO SCALE  
(H-15066)

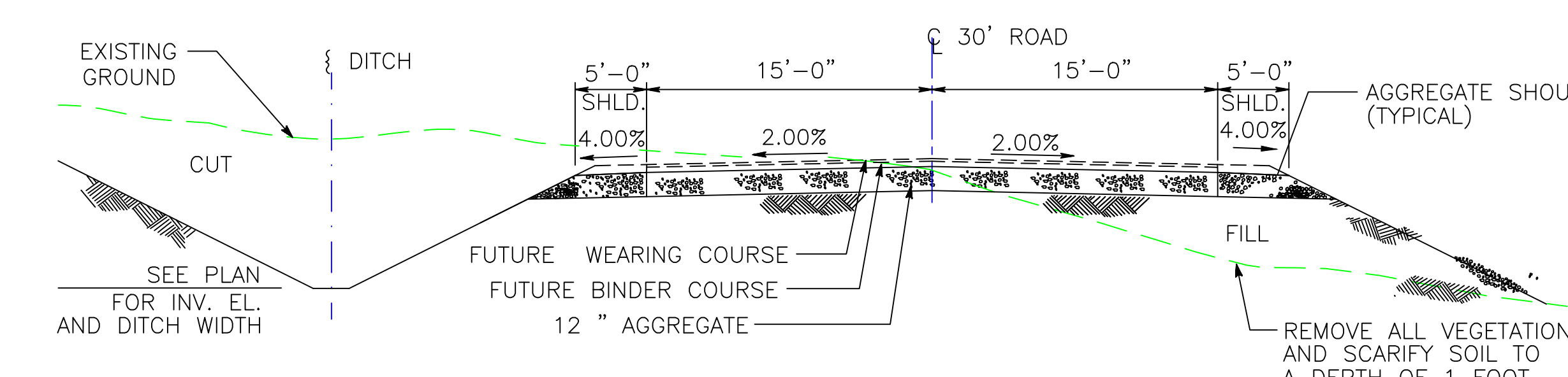


**SECTION X-X DISCHARGE DITCH**  
NOT TO SCALE  
(H-15064, H-15065, H-15068, H-15070, H-15072, H-15074, H-15078)

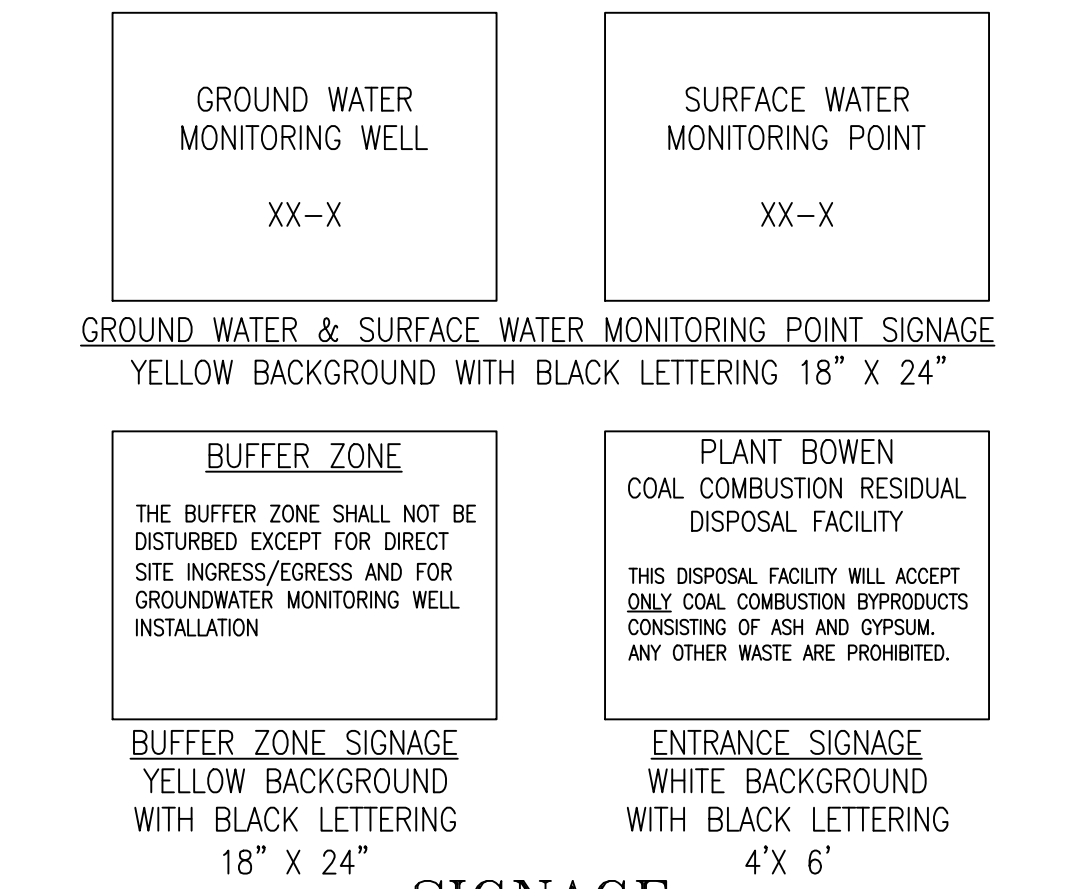


**SECTION 2-2**  
NOT TO SCALE

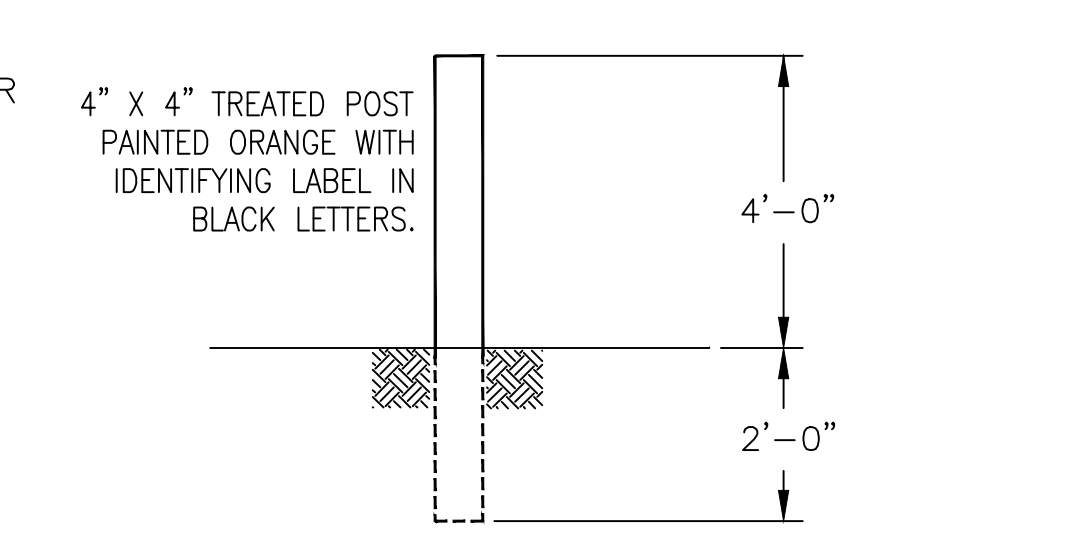
**TYPICAL FINAL COVER SECTION V-V AT OUTLET LOCATIONS**  
N.T.S.  
(THIS DWG.)



**SECTION Q-Q TYPICAL PERMANENT ACCESS ROAD**  
NOT TO SCALE  
(H-15066, H-15068)

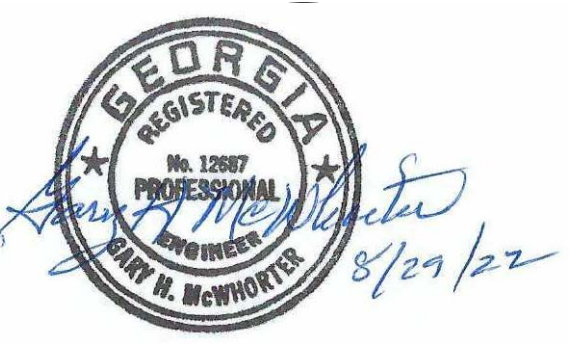


**SIGNAGE**  
NOT TO SCALE



**TYPICAL MONITORING WELL MARKER**  
NOT TO SCALE

NOTES:  
1. GEOCOMPOSITE DRAINAGE LAYER TO CONSIST OF TENAX® TENFLOW 70-2 GEOCOMPOSITE OR EQUAL.



**REFERENCE DRAWINGS:**

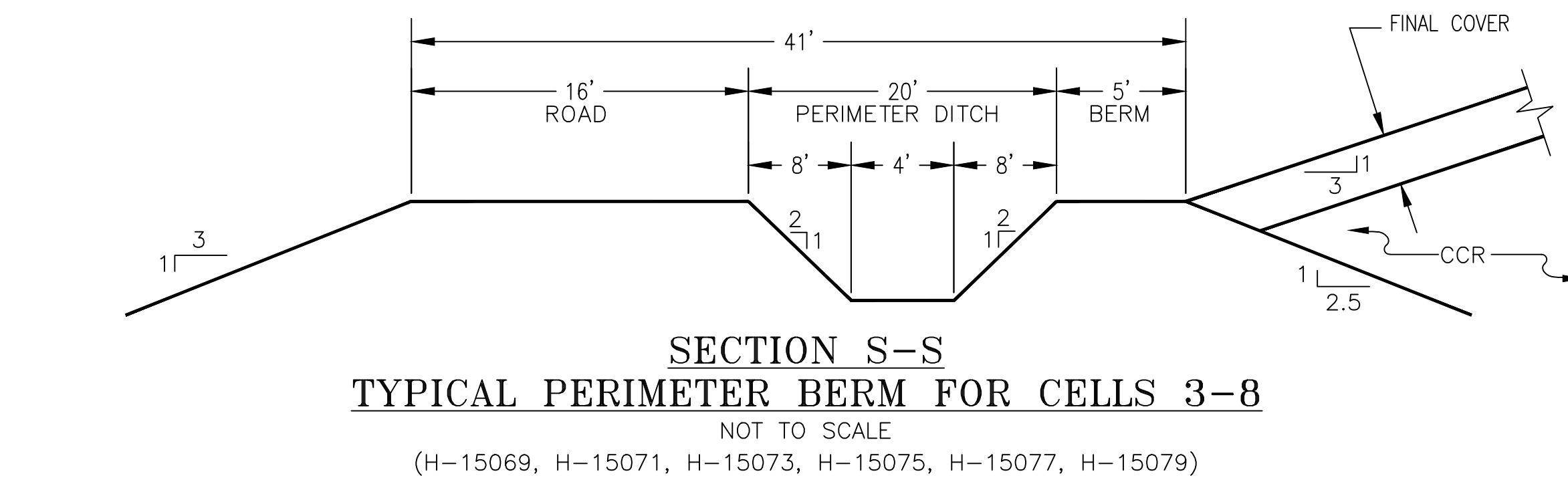
1. FOR A COMPLETE DRAWING LIST SEE SHEET H-15061.
2. SEE SHEET H-15063 FOR GENERAL NOTES AND REFERENCES.

REVISION	DATE	REVISION	DATE	REVISION	DATE

REVISION	DATE
0	8/25/2022

ISSUED FOR PERMIT

Southern Company Services, Inc. FOR	
<b>GEORGIA POWER COMPANY</b>	
PLANT BOWEN CCR LANDFILL MISC. SECTIONS AND DETAILS SHEET 2 OF 2	
SCALE	PROJ. ID.
NONE	10207
DRAWING NUMBER	SH
<b>H-15097</b>	1
CONTD.	REV
	0



**SECTION S-S TYPICAL PERIMETER BERM FOR CELLS 3-8**  
NOT TO SCALE  
(H-15069, H-15071, H-15073, H-15075, H-15077, H-15079)



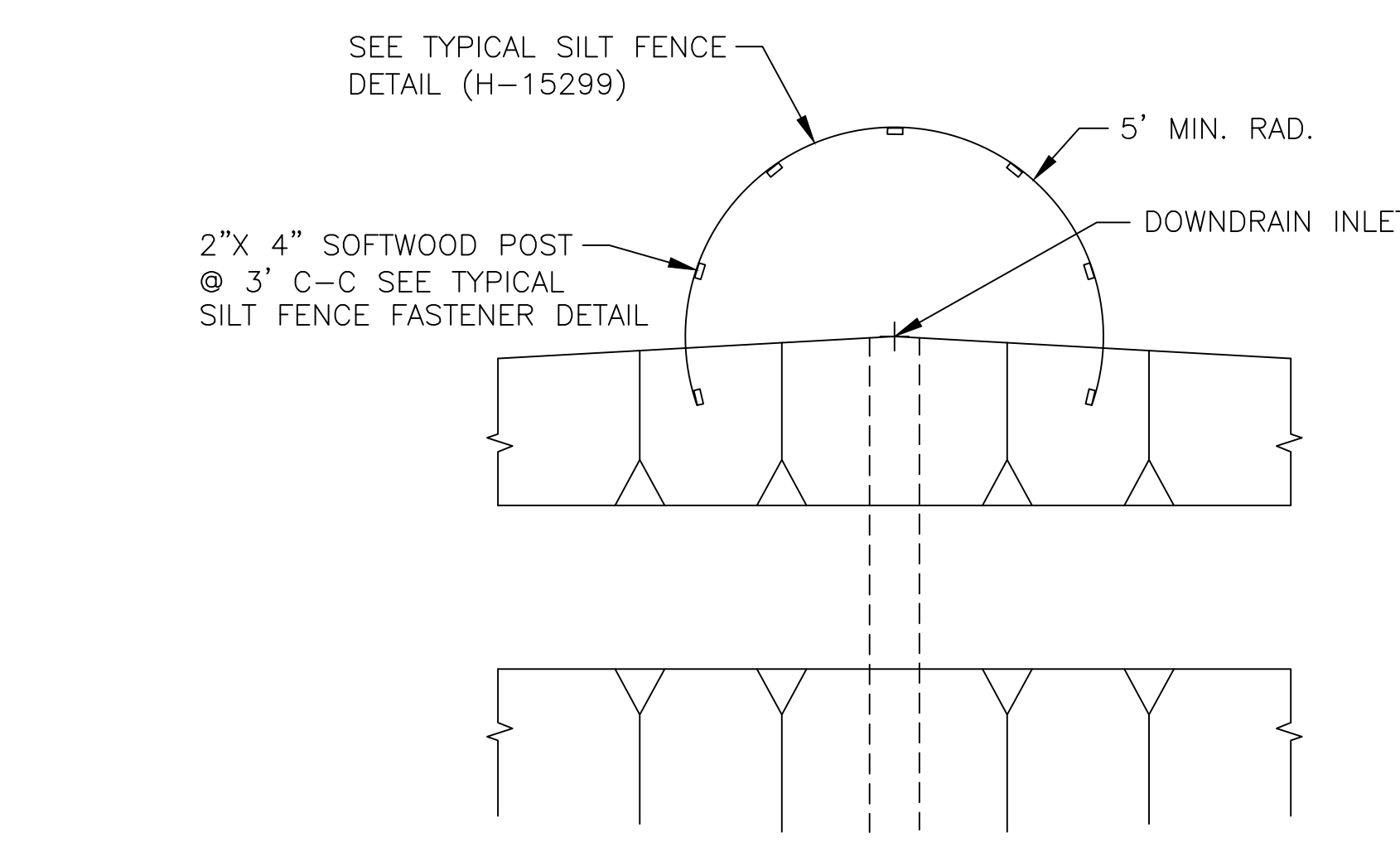
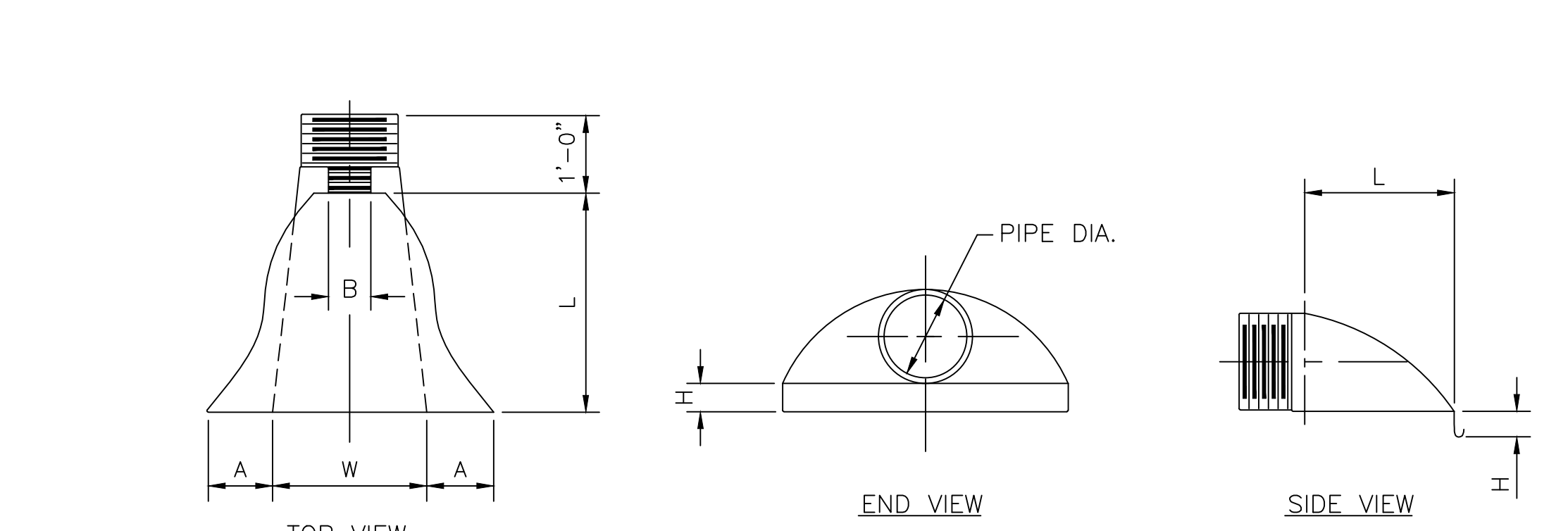
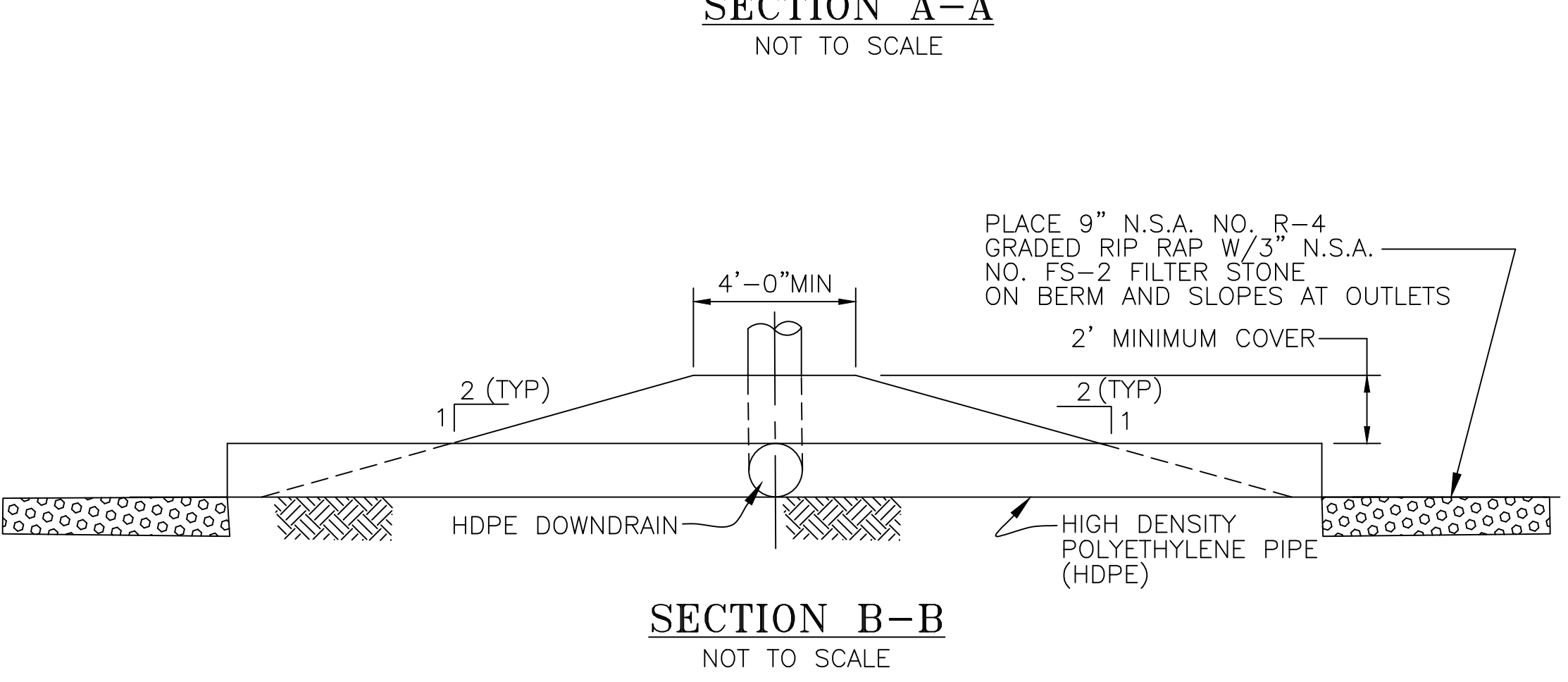
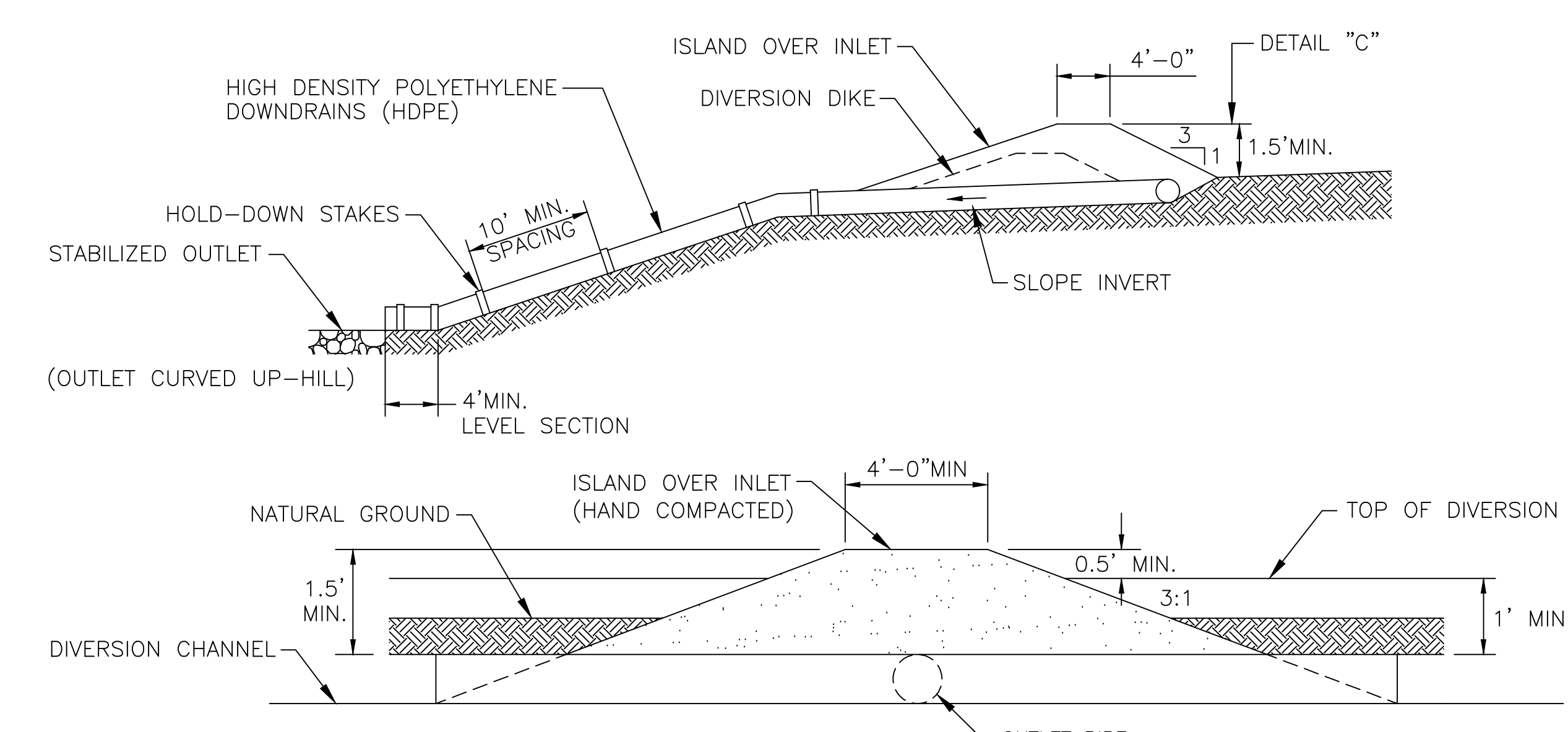
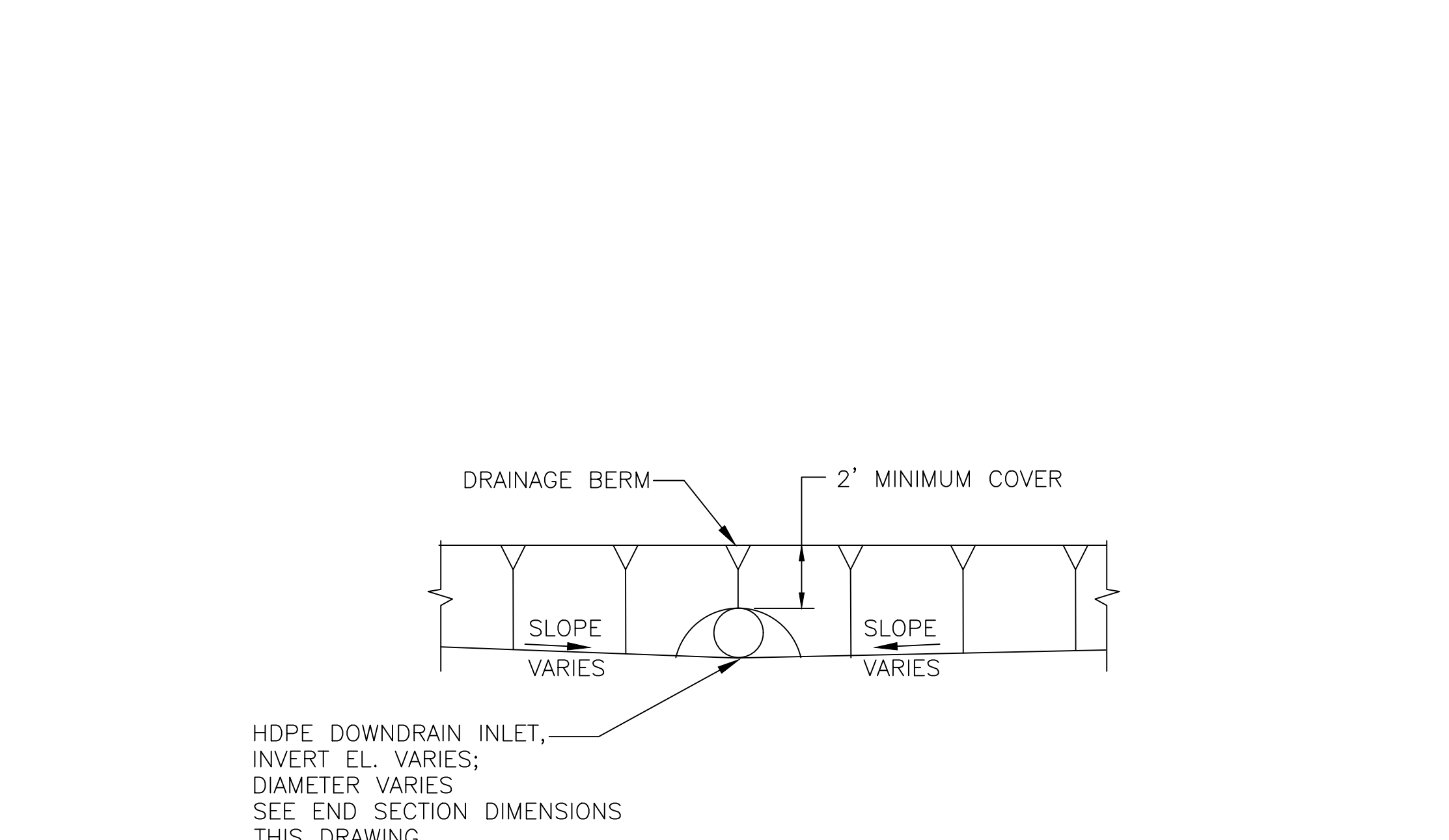
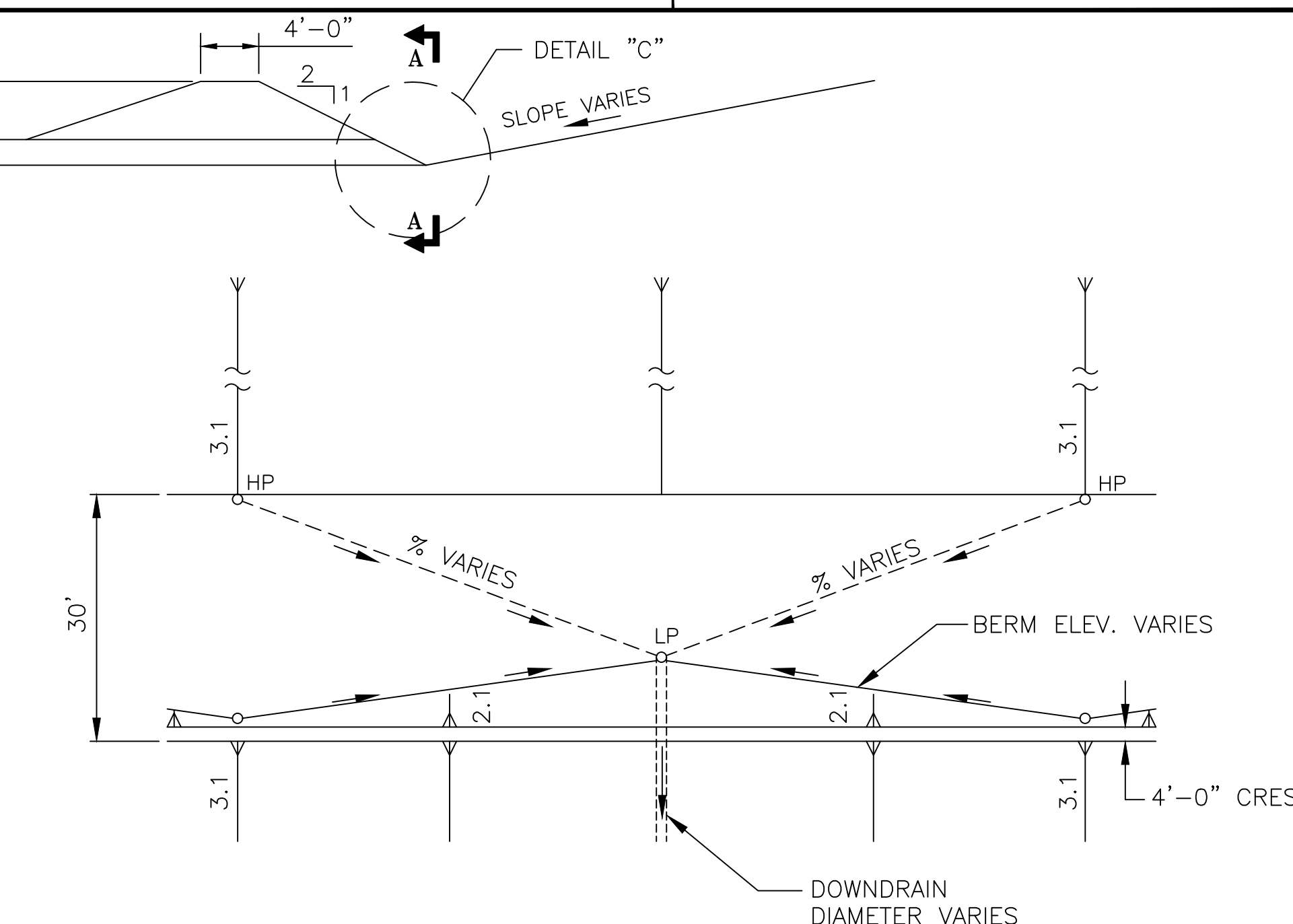
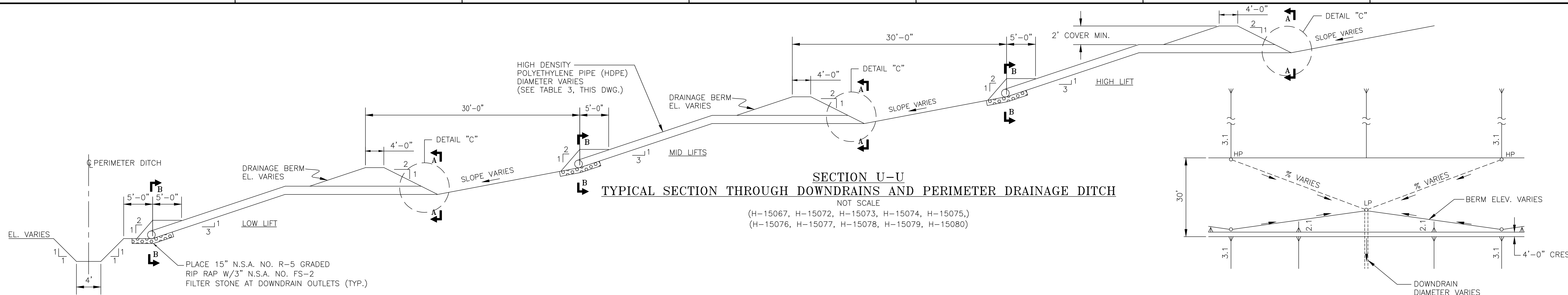


TABLE 3 - DOWN DRAIN DIAMETERS (IN)

	LIFT 7	LIFT 6	LIFT 5	LIFT 4	LIFT 3	LIFT 2	LIFT 1
CELL 1	N/A	N/A	N/A	4"	8"	12"	15"
CELL 2	N/A	N/A	N/A	4"	8"	10"	15"
CELL 3	N/A	N/A	N/A	12"	15"	12"	15"
CELL 4	N/A	N/A	N/A	10"	8"	12"	10"
CELL 5	N/A	N/A	12"	12"	12"	15"	15"
CELL 6	N/A	10"	12"	15"	15"	15"	18"
CELL 7	N/A	N/A	N/A	10"	15"	15"	15"
CELL 8	6"	10"	10"	12"	15"	15"	15"
CELL 9	N/A	N/A	N/A	N/A	10"	12"	12"
CELL 10	N/A	N/A	6"	8"	10"	12"	4"

- NOTES:
1. PLACE SLOPE DRAINS ON UNDISTURBED SOIL OR WELL-COMPACTED FILL AT LOCATIONS AND ELEVATIONS SHOWN ON THE PLAN.
  2. SLIGHTLY SLOPE THE SECTION OF PIPE UNDER THE DIKE TOWARDS ITS OUTLET.
  3. HAND TAMP THE SOIL UNDER AND AROUND THE ENTRANCE SECTION IN LIFTS NOT TO EXCEED 6 INCHES.
  4. ENSURE THAT FILL OVER THE DRAIN AT THE TOP OF THE SLOPE HAS MINIMUM DIMENSIONS SHOWN.
  5. ENSURE THAT ALL SLOPE DRAIN CONNECTIONS ARE WATER-TIGHT.
  6. ENSURE THAT ALL FILL MATERIAL IS WELL COMPACTED. SECURELY FASTEN THE EXPOSED SECTION OF THE DRAIN WITH GROMMETS OR STAKES SPACED NO MORE THAN 10 FEET APART.
  7. PLACE THE DRAIN SLIGHTLY DIAGONALLY ACROSS THE SLOPE, EXTENDING THE DRAIN BEYOND THE TOE OF THE SLOPE. CURVE THE OUTLET UPHILL AND ADEQUATELY PROTECT THE OUTLET FROM EROSION.
  8. DIRECT ALL FLOWS INTO A SEDIMENT TRAP OR SEDIMENT BASIN.
  9. MAKE THE SETTLED, COMPACTED DIKE RIDGE NO LESS THAN ONE FOOT ABOVE THE TOP OF THE PIPE AT EVERY POINT.
  10. IMMEDIATELY STABILIZE ALL DISTURBED AREAS FOLLOWING CONSTRUCTION.
  11. INSPECT THE SLOPE DRAIN AND SUPPORTING DIVERSION AFTER EVERY RAINFALL AND PROMPTLY MAKE NECESSARY REPAIRS.
  12. WHEN THE PROTECTED AREA HAS BEEN PERMANENTLY STABILIZED AND THE PERMANENT STORMWATER DISPOSAL SYSTEM IS FULLY FUNCTIONAL, TEMPORARY MEASURES MAY BE REMOVED, MATERIALS DISPOSED OF PROPERLY, AND ALL DISTURBED AREAS STABILIZED APPROPRIATELY.

REFERENCE DRAWINGS:

1. FOR A COMPLETE DRAWING LIST SEE SHEET H-15061.
2. SEE SHEET H-15063 FOR GENERAL NOTES AND REFERENCES.



PIPE DIAMETER	A (1±)	B MAX	H (1±)	L (1/2±)	W (2±)
12"	6.5	10	6.5	25	29
15"	6.5	10	6.5	25	29
18"	7.5	15	6.5	32	35
24"	7.5	18	6.5	36	45

ALL DIMENSION ARE IN INCHES  
END SECTION DIMENSIONS  
NOT TO SCALE

REVISION		DATE		REVISION		DATE		Southern Company Generation FOR <b>GEORGIA POWER COMPANY</b>											
				0		8/25/2022		PLANT BOWEN CCB DISPOSAL FACILITY EROSION CONTROL & SEDIMENT DETAILS SHEET 1 OF 6											
ISSUED FOR PERMIT																			
BY	CHK'D	CIVL APPR	ELECT APPR	I/C APPR	MECH APPR	MGR APPR	BY	CHK'D	CIVL APPR	ELECT APPR	I/C APPR	MECH APPR	MGR APPR	SCALE	PROJ. ID.	DRAWING NUMBER	SH.	CONT'D	REV.
							ANR	RBL						NONE	10207	<b>H-15296</b>	1	FINAL	0



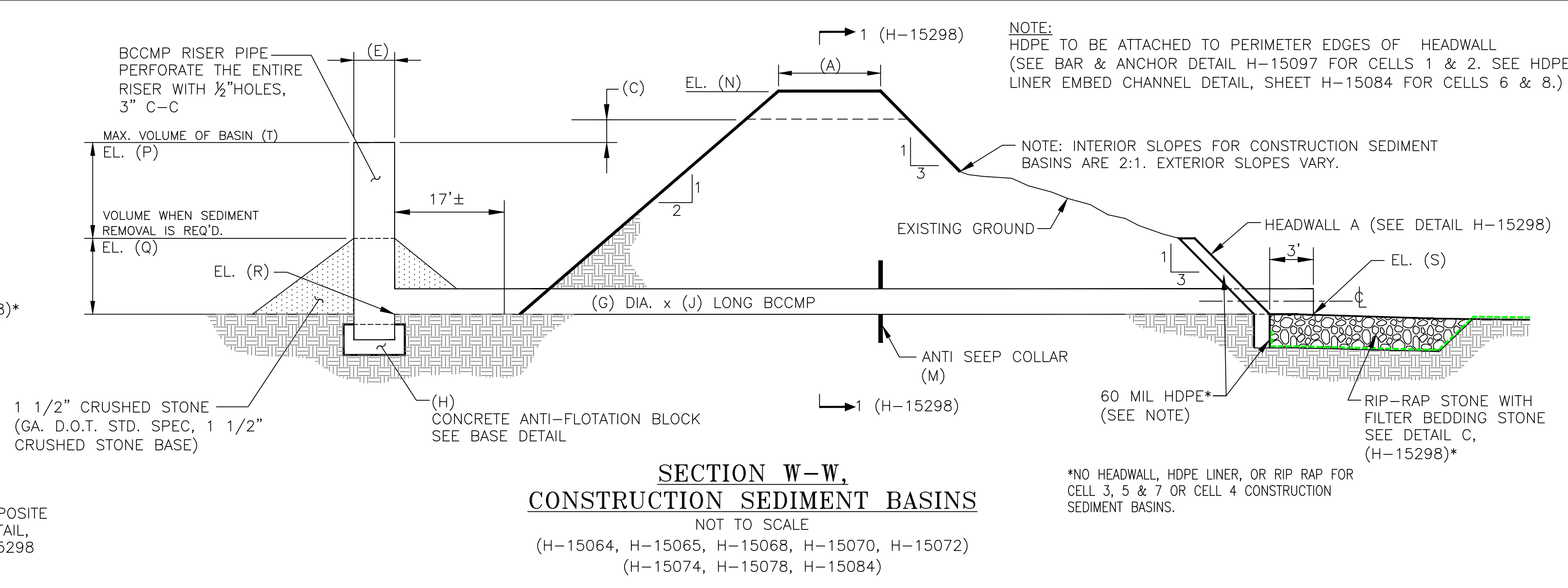
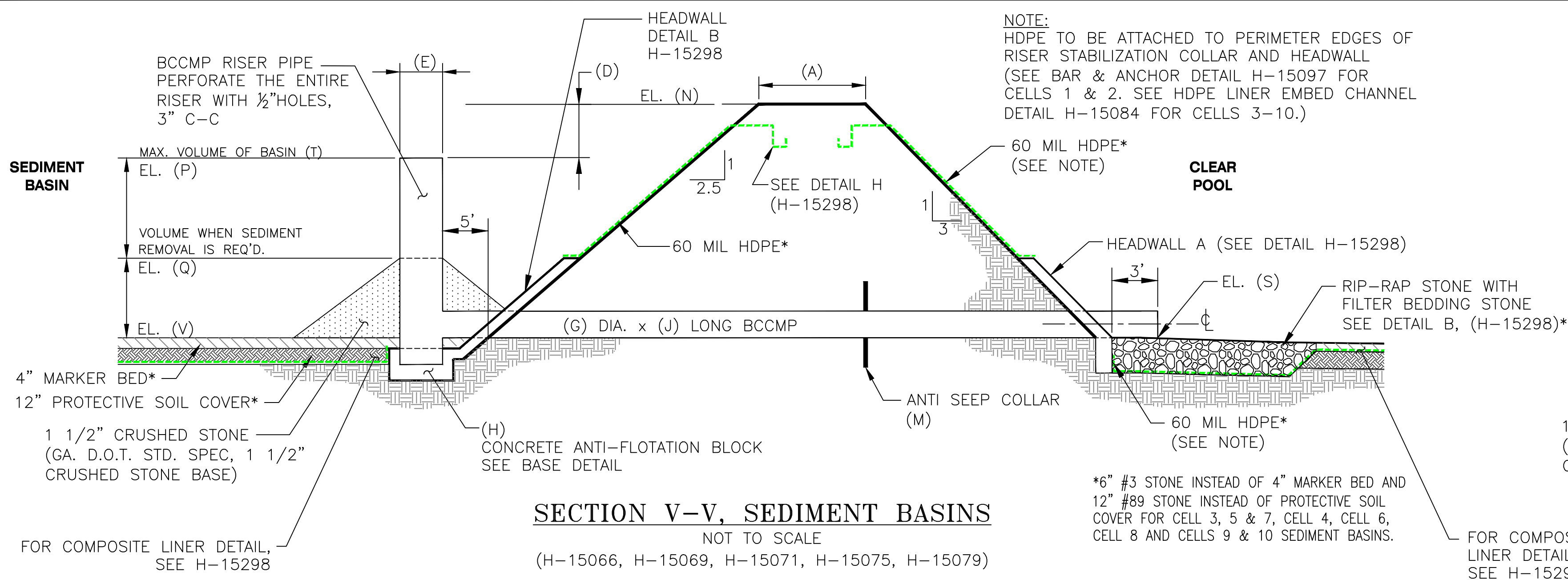


TABLE 1 - SEDIMENT BASIN DETAILS

	CELL 1&2 BASIN	CELL 3-5-7 BASIN	CELL 4 BASIN	CELL 6 BASIN	CELL 8 BASIN	CELL 9&10 BASIN
Top Width of Berm	A 13'	16'	16'	13'	13'	16'
Emergency Spillway Flow Depth	B 4'	3.5'	2'	1.5'	1.5'	2.5'
Storage Level - Difference Between Riser and Emer. Spillway	C 5.5'	1.5'	1.5'	1.5'	1.5'	2'
Freeboard	D 2.12'	1.77'	0.97'	1.10'	1.47'	2.05'
Riser Diameter	E 2'-72"	2'-48"	2'-48"	36"	36"	2'-54"
Riser Length (Includes 9" into antiflotation block)	F 9'-1"	5'-0"	3'-0"	5'-1"	5'-1"	6'-3"
Principal Spillway Pipe Diameter	G 2'-48"	2'-30"	2'-30"	6'-24"	5'-24"	2'-36"
Concrete Antiflotation Block	H 252'x 96'x 30"	73'x 73'x 18"	65'x 65'x 18"	288'x 72'x 18"	240'x 72'x 18"	85'x 85'x 18"
Length of Riser Anchoring Bars (rebar)	I 246"/90"	67"/67"	59"/59"	282"/66"	234"/66"	79"/79"
Length of Principal Spillway Pipe	J 74'	66'	51'	49'	49'	6'-3"
Emergency Spillway Bottom Width	K 8'	20'	18'	8'	8'	24'
Emergency Spillway Top Width	L 56'	62'	32'	23'	23'	54'
Antiseep Collar	M 84" x 84"	18" x 18"	18" x 18"	60" x 60"	60" x 60"	18" x 18"
Elevation of Top of Berm, ft msl	N 700.0 ft msl	694.0 ft msl	704.0 ft msl	692.0 ft msl	692.0 ft msl	706.0 ft msl
Elevation of Emergency Spillway Crest, ft msl	O 696.0 ft msl	690.50 ft msl	702.00 ft msl	689.50 ft msl	689.50 ft msl	703.50 ft msl
Elevation of Top of Riser, ft msl	P 697.98 ft msl	690.05 ft msl	702.70 ft msl	690.00 ft msl	690.00 ft msl	700.9 ft msl
Elevation of Clean Out, ft msl	Q 693.0 ft msl	685.0 ft msl	698.50 ft msl	697.0 ft msl	697.0 ft msl	697.0 ft msl
Elevation of Principal Spillway at Inlet, ft msl (Bottom Pond El.)	R 690.08 ft msl	684.10 ft msl	698.00 ft msl	686.00 ft msl	686.00 ft msl	696.0 ft msl
Elevation of Principal Spillway at Outlet, ft msl	S 689.88 ft msl	683.70 ft msl	697.90 ft msl	685.5 ft msl	685.5 ft msl	695.9 ft msl
Maximum Volume of Basin, cubic feet	T 410,799	344,942	91,845	99,168	73,964	201,542
Clean Out Volume, cubic feet	U 136,933	45,340	34,751	33,056	24,655	65,183

TABLE 2 - CLEAR POOL DETAILS

	CELL 1&2 POOL	CELL 3-5-7 POOL	CELL 4 POOL	CELL 6 POOL	CELL 8 POOL	CELL 9&10 POOL
Top Width of Berm	A 13'	16'	16'	13'	13'	16'
Emergency Spillway Flow Depth	B 4'	3.5'	2'	1.5'	1.5'	2.5'
Storage Level - Difference Between Riser and Emer. Spillway	C 5.5'	1.5'	1.5'	1.5'	1.5'	2'
Freeboard	D 2.12'	1.77'	0.99'	1'	1'	2.05'
Riser Diameter	E 72"	2'-54"	19'-3"	36"	36"	54"
Riser Length (Includes 9" into antiflotation block)	F 21'-9"	18'-3"	19'-3"	19'-1"	19'-1"	22'-3"
Principal Spillway Pipe Diameter	G 1'-48"	2'-36"	2'-24"	2'-24"	2'-24"	1'-42"
Concrete Antiflotation Block	H 127'x 127'x 18"	101'x 101'x 18"	97'x 97'x 18"	96'x 60'x 18"	96'x 66'x 18"	142'x 142'x 18"
Length of Riser Anchoring Bars (rebar)	I 121"	95"/95"	91"/91"	90"/54"	90"/60"	136"/136"
Length of Principal Spillway Pipe	J 129'	2'-117"	2'-113"	102'	103'	200'
Emergency Spillway Bottom Width	K 8'	20'	18'	8'	8'	24'
Emergency Spillway Top Width	L 56'	62'	32'	17'	17'	54'
Antiseep Collar	M 84" x 84"	18" x 18"	18" x 18"	60" x 60"	60" x 60"	18" x 18"
Elevation of Top of Berm, ft msl	N 700.0 ft msl	694.0 ft msl	704.0 ft msl	692.0 ft msl	692.0 ft msl	706.0 ft msl
Elevation of Emergency Spillway Crest, ft msl	O 696.0 ft msl	690.10 ft msl	702.0 ft msl	689.5 ft msl	689.5 ft msl	703.5 ft msl
Elevation of Top of Riser, ft msl	P 694.24 ft msl	690.02 ft msl	702.43 ft msl	688.0 ft msl	688.0 ft msl	701.4 ft msl
Elevation of Clean Out, ft msl	Q 693.0 ft msl	684.0 ft msl	698.0 ft msl	697.0 ft msl	697.0 ft msl	697.0 ft msl
Elevation of Principal Spillway at Inlet, ft msl (Bottom Pond El.)	R 673.79 ft msl	670.0 ft msl	681.60 ft msl	670.0 ft msl	670.0 ft msl	679.9 ft msl
Elevation of Principal Spillway at Outlet, ft msl	S 673.66 ft msl	670.40 ft msl	680.70 ft msl	669.4 ft msl	668.9 ft msl	675.0 ft msl

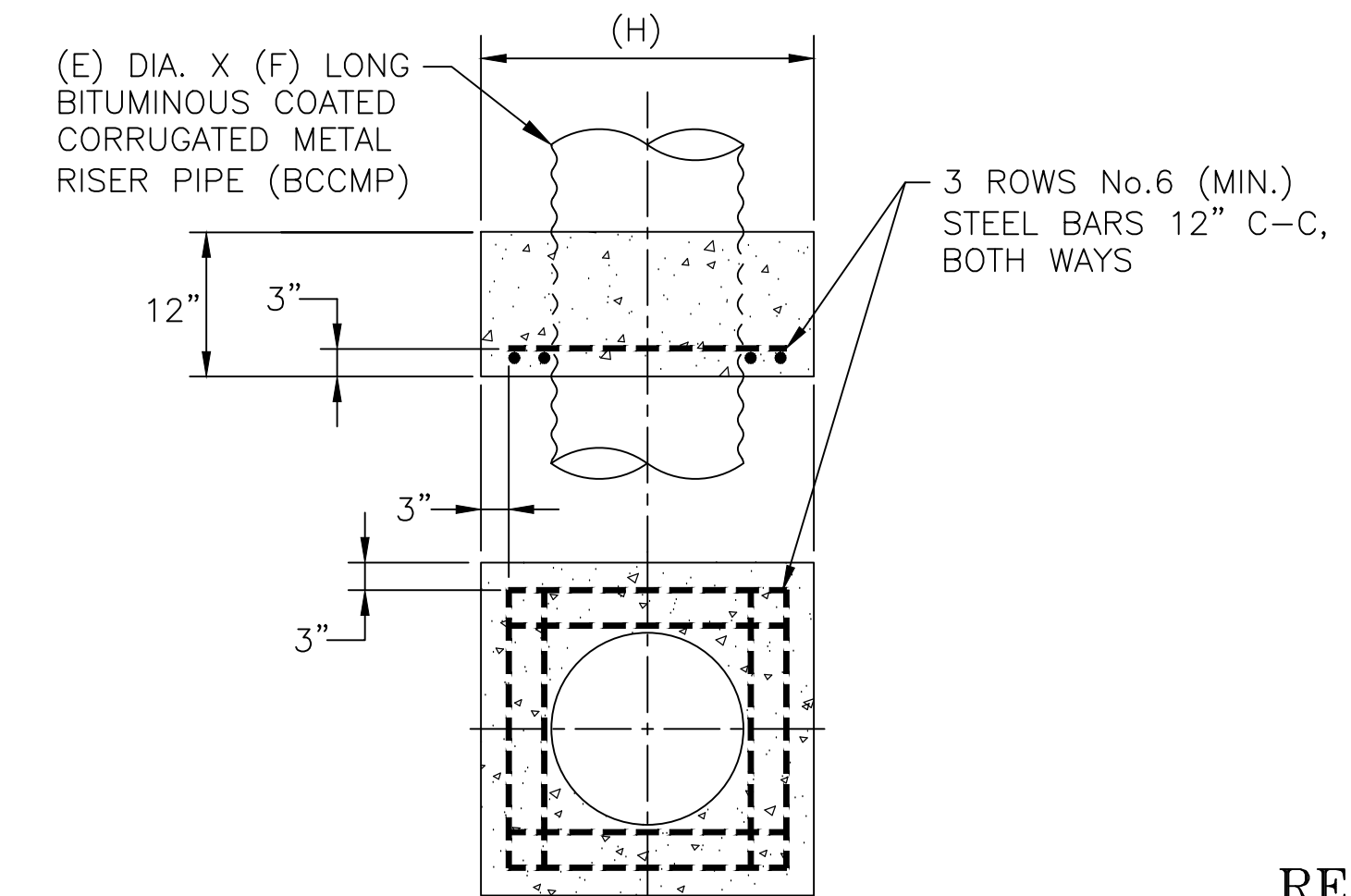
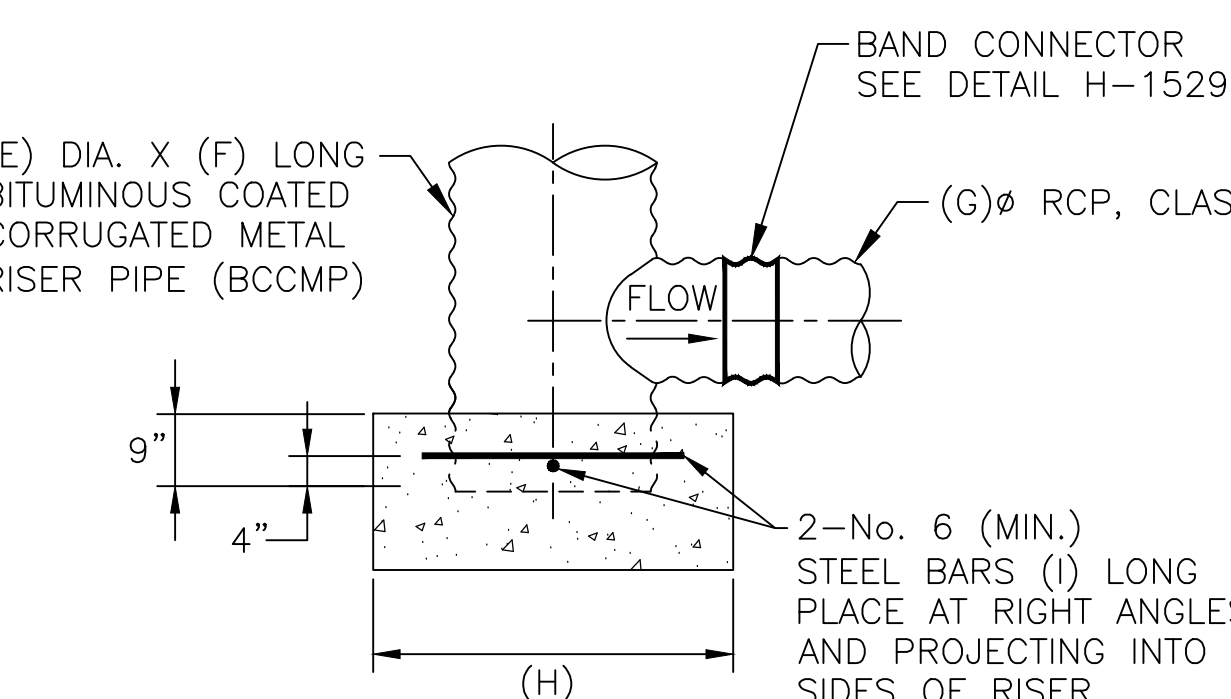
TABLE 3 - CONSTRUCTION SEDIMENT BASIN DETAILS

	CELL 5&7 CONSTR. BASIN	CELL 6 CONSTR. BASIN	CELL 8 CONSTR. BASIN
Top Width of Berm	A 8'	8'	8'
Emergency Spillway Flow Depth	B 1'	1'	1'
Storage Level - Difference Between Riser and Emer. Spillway	C 1.5'	1.5'	1'
Freeboard	D 1'	1'	1'
Riser Diameter	E 54"	36"	36"
Riser Length (Includes 9" into antiflotation block)	F 5'-7"	5'-7"	6'-1"
Principal Spillway Pipe Diameter	G 1'-36"	2'-24"	2'-24"
Concrete Antiflotation Block	H 80'x80'x18"	96'x60'x18"	96'x66'x18"
Length of Riser Anchoring Bars (rebar)	I 74"/74"	90"/54"	90"/60"
Length of Principal Spillway Pipe	J 62'	102'	103'
Emergency Spillway Bottom Width	K 8'	8'	8'
Emergency Spillway Top Width	L 20'	20'	20'
Antiseep Collar	M 72"x72"	60"x60"	60"x60"
Elevation of Top of Berm, ft msl	N 680.0 ft msl	680.0 ft msl	678.0 ft msl
Elevation of Emergency Spillway Crest, ft msl	O 678.0 ft msl	676.0 ft msl	676.0 ft msl
Elevation of Top of Riser, ft msl	P 676.5 ft msl	674.5 ft msl	675.0 ft msl
Elevation of Clean Out, ft msl	Q 675.5 ft msl	671.5 ft msl	671.5 ft msl
Elevation of Principal Spillway at Inlet, ft msl (Bottom Pond El.)	R 672.0 ft msl	670.0 ft msl	670.0 ft msl
Elevation of Principal Spillway at Outlet, ft msl	S 671.5 ft msl	669.5 ft msl	668.9 ft msl
Maximum Volume of Basin, cubic feet	T 309,520	252,274	231,501
Clean Out Volume, cubic feet	U 103,173	84,091	77,167

NOTE: INFORMATION FOR CELLS 1&2, CELL 3, CELL 4, AND CELLS 9&10 ARE NOT PROVIDED SINCE THESE BASINS HAVE BEEN CONVERTED TO PERMANENT PONDS.

\*6" #3 STONE INSTEAD OF 4" MARKER BED AND 12" #89 STONE INSTEAD OF PROTECTIVE SOIL COVER FOR CELL 3, 5 & 7, CELL 4, CELL 6 AND CELL 8 SEDIMENT BASINS.

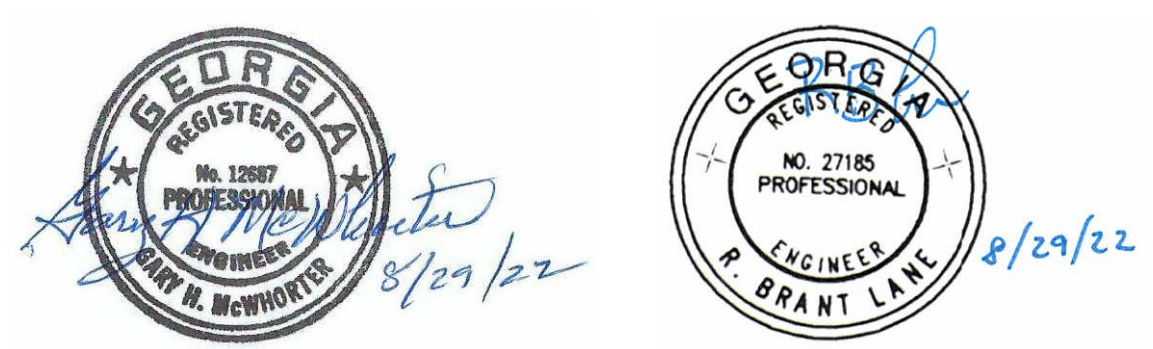
FOR COMPOSITE LINER DETAIL SEE H-15298



- GENERAL NOTES:**
1. THE AREA TO RECEIVE THE PIPE SHALL BE HAND COMPACTED AND ANY SOFT OR UNSUITABLE MATERIAL REMOVED, THE AREA BACKFILLED, AND COMPACTED.
  2. THE PIPE AND RISER SHALL BE PLACED ON FIRM, SMOOTH FOUNDATION.
  3. THE BACKFILL MATERIAL SHALL BE CLEAN SOIL, FREE OF ROOTS, VEGETATION, OVERSIZED ROCKS, STONES OR OTHER OBJECTIONABLE MATERIAL.
  4. AREAS ON WHICH FILL IS TO BE PLACED SHALL BE SCARIFIED PRIOR TO FILL PLACEMENT.
  5. FILL MATERIAL SHALL BE CONDITIONED, PLACED AND COMPACTED IN ACCORDANCE WITH THE CONSTRUCTION QUALITY CONTROL/QUALITY ASSURANCE PLAN.
  6. THE RISER SHALL BE SECURELY ATTACHED TO THE PIPE OR STUB BY WELDING THE FULL CIRCUMFERENCE MAKING A WATERTIGHT STRUCTURAL CONNECTION.
  7. THE CONNECTION BETWEEN THE RISER AND THE RISER BASE SHALL BE WATERTIGHT.
  8. ALL CONNECTIONS BETWEEN PIPE SECTIONS SHALL BE WATERTIGHT, ACHIEVED BY APPROVED WATERTIGHT BAND ASSEMBLIES.
  9. THE FILL MATERIAL AROUND THE PIPE SHALL BE PLACED IN 4 INCH LAYERS AND HAND COMPACTED UNDER AND AROUND THE PIPE TO AT LEAST THE SAME DENSITY AS THE ADJACENT FILL MATERIAL.
  10. CARE MUST BE TAKEN TO NOT RAISE THE PIPE FROM FIRM CONTACT WITH ITS FOUNDATION WHEN COMPACTING UNDER THE PIPE HAUNCHES.
  11. A MINIMUM DEPTH OF 2 FT. OF HAND COMPACTED FILL SHALL BE PLACED OVER THE PIPE BEFORE PLACING AND COMPACTING FILL WITH CONSTRUCTION EQUIPMENT.
  12. ALL DISTURBED SOIL AREAS SHALL BE GRASSED UPON REACHING FINAL GRADE IN ACCORDANCE WITH THE GEORGIA MANUAL FOR EROSION AND SEDIMENT CONTROL.

**REFERENCE DRAWINGS**

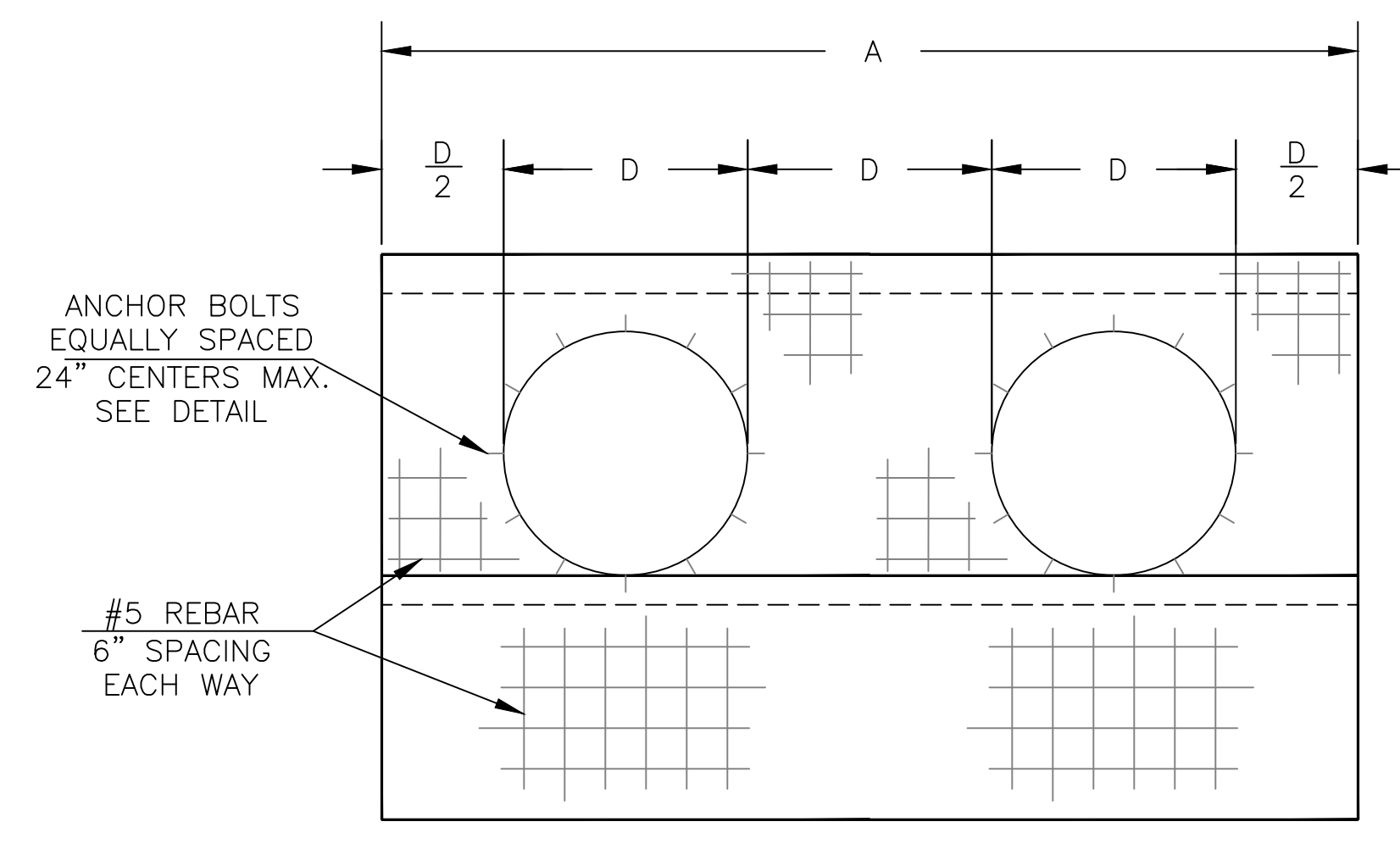
1. FOR A COMPLETE DRAWING LIST SEE SHEET H-15061.
2. SEE DRAWING H-15063 FOR GENERAL NOTES AND REFERENCES.
3. SEE DRAWING H-15298 FOR OUTLET PROTECTION.
4. SEE DRAWING H-15301 FOR EMERGENCY SPILLWAY EROSION PROTECTION RECYCLEX DETAILS.



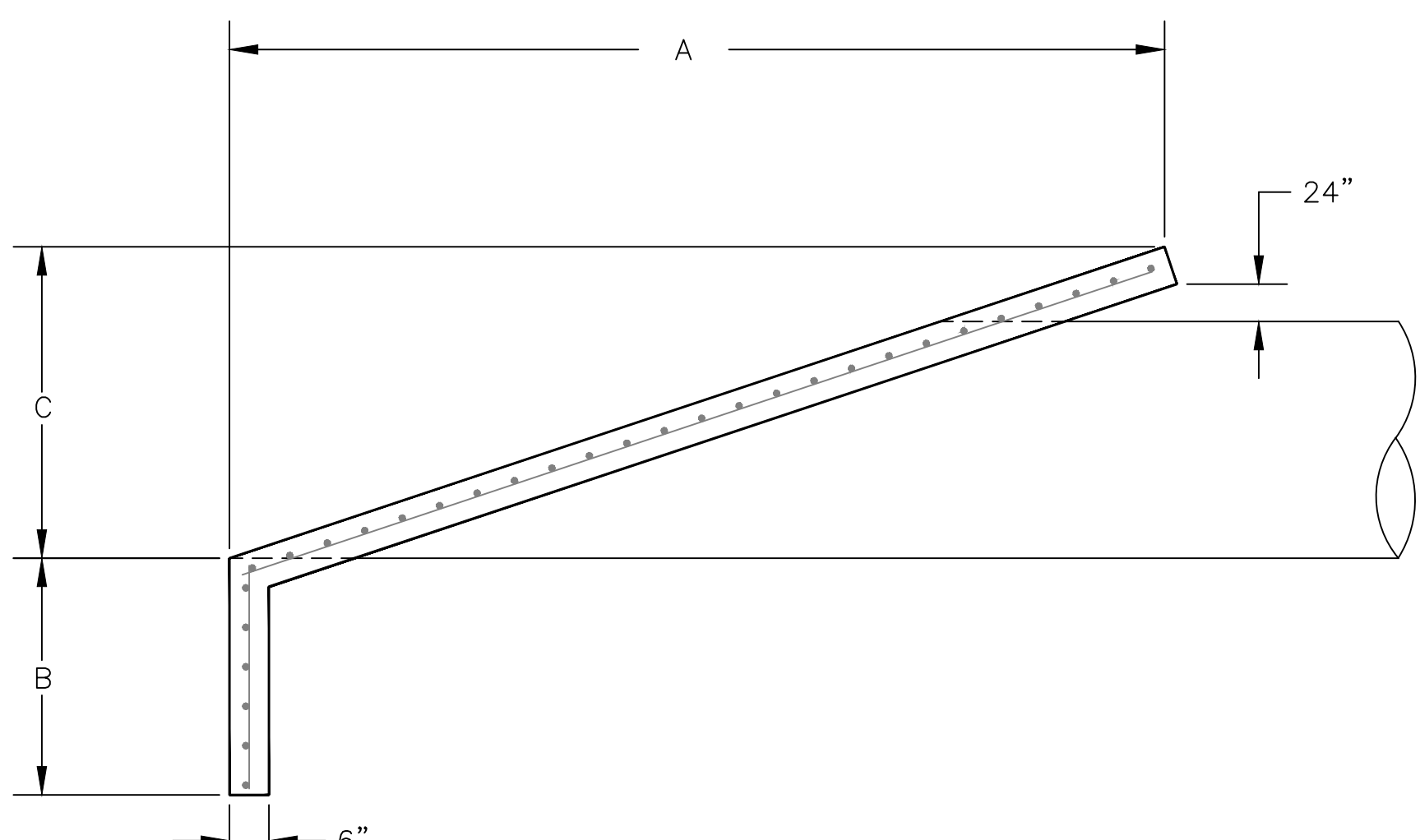
REVISION	DATE	REVISION	DATE	REVISION	DATE	REVISION	DATE
BY	CHK'D	CIVIL APPR	ELECT APPR	MECH APPR	MGR APPR	BY	CHK'D

ISSUED FOR PERMIT	8/25/2022	Southern Company Generation FOR			
		<b>GEORGIA POWER COMPANY</b>			
		PLANT BOWEN CCB DISPOSAL FACILITY EROSION CONTROL & SEDIMENT DETAILS SHEET 2 OF 6			
SCALE	PROJ. I.D.	DRAWING NUMBER	SH	CONT'D	REV
NONE	10207	<b>H-15297</b>	1	FINAL	0

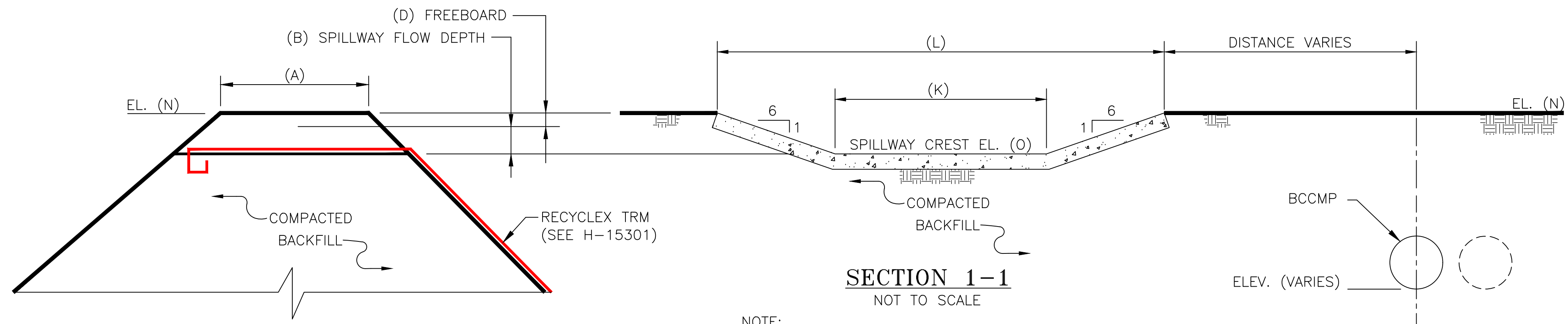




**HEADWALL A FRONT ELEVATION**  
NOT TO SCALE



**HEADWALL A SIDE ELEVATION**  
NOT TO SCALE



NOTE:  
1. SEE H-15297, TABLE 2 & 3 FOR DIMENSIONS.  
2. VEGETATED SPILLWAY FOR CELLS 1 & 2 WITH 3:1 SIDE SLOPES.

**TABLE 4 - SEDIMENT BASIN AND CLEAR POOL RIPRAP DETAILS**

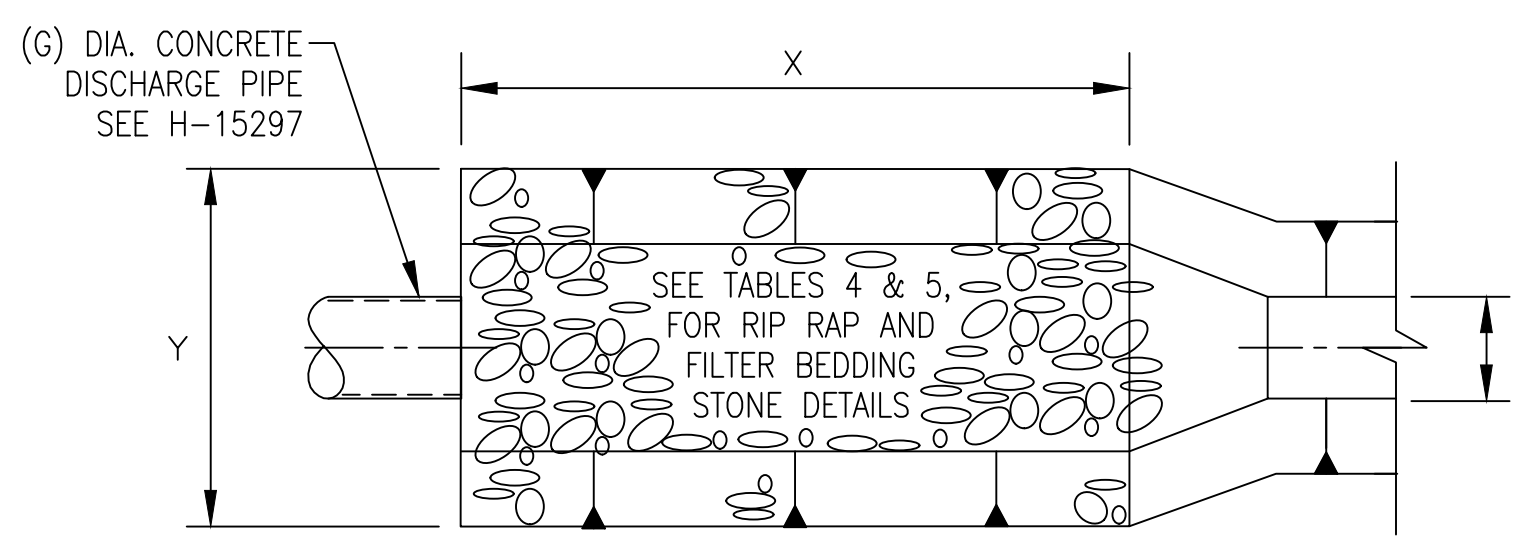
LOCATION	# PIPES	Y	X	W	THICKNESS	RIP RAP	FILTER BEDDING STONE N.S.A. NO.
CELL 1 & 2 POND	2	20'	26'	34'	18"	N.S.A. # R-5	N.S.A. # FS-2
CELL 3-5-7 POND	2	NA	NA	NA	NA	NA	NA
CELL 4 POND	2	NA	NA	NA	NA	NA	NA
CELL 6 POND	6	26'	13'	25'	12"	N.S.A. # R-4	N.S.A. # FS-2
CELL 8 POND	5	22'	13'	23'	12"	N.S.A. # R-4	N.S.A. # FS-2
CELL 9 & 10 POND	2	17.5'	22'	29'	18"	N.S.A. # R-5	N.S.A. # FS-2
CELL 1 & 2 POOL/CONSTRUCTION BASIN	1	12'	44'	48'	27"	N.S.A. # R-5	N.S.A. # FS-2
CELL 3-5-7 POOL/CONSTRUCTION BASIN	2	NA	NA	NA	NA	NA	NA
CELL 5-7 CONSTRUCTION BASIN	1	9'	22'	25'	18"	N.S.A. # R-5	N.S.A. # FS-2
CELL 4 POOL/CONSTRUCTION BASIN	1	NA	NA	NA	NA	NA	NA
CELL 6 POOL/CONSTRUCTION BASIN	2	10'	23'	27'	18"	N.S.A. # R-5	N.S.A. # FS-2
CELL 8 POOL/CONSTRUCTION BASIN	2	10'	23'	27'	18"	N.S.A. # R-5	N.S.A. # FS-2
CELL 9 & 10 POOL/CONSTRUCTION BASIN	1	9'	34'	37'	27"	N.S.A. # R-5	N.S.A. # FS-2
CELL 10/CONSTRUCTION BASIN	1	NA	NA	NA	NA	NA	NA

**TABLE 5-CULVERT OUTLET RIPRAP DETAILS**

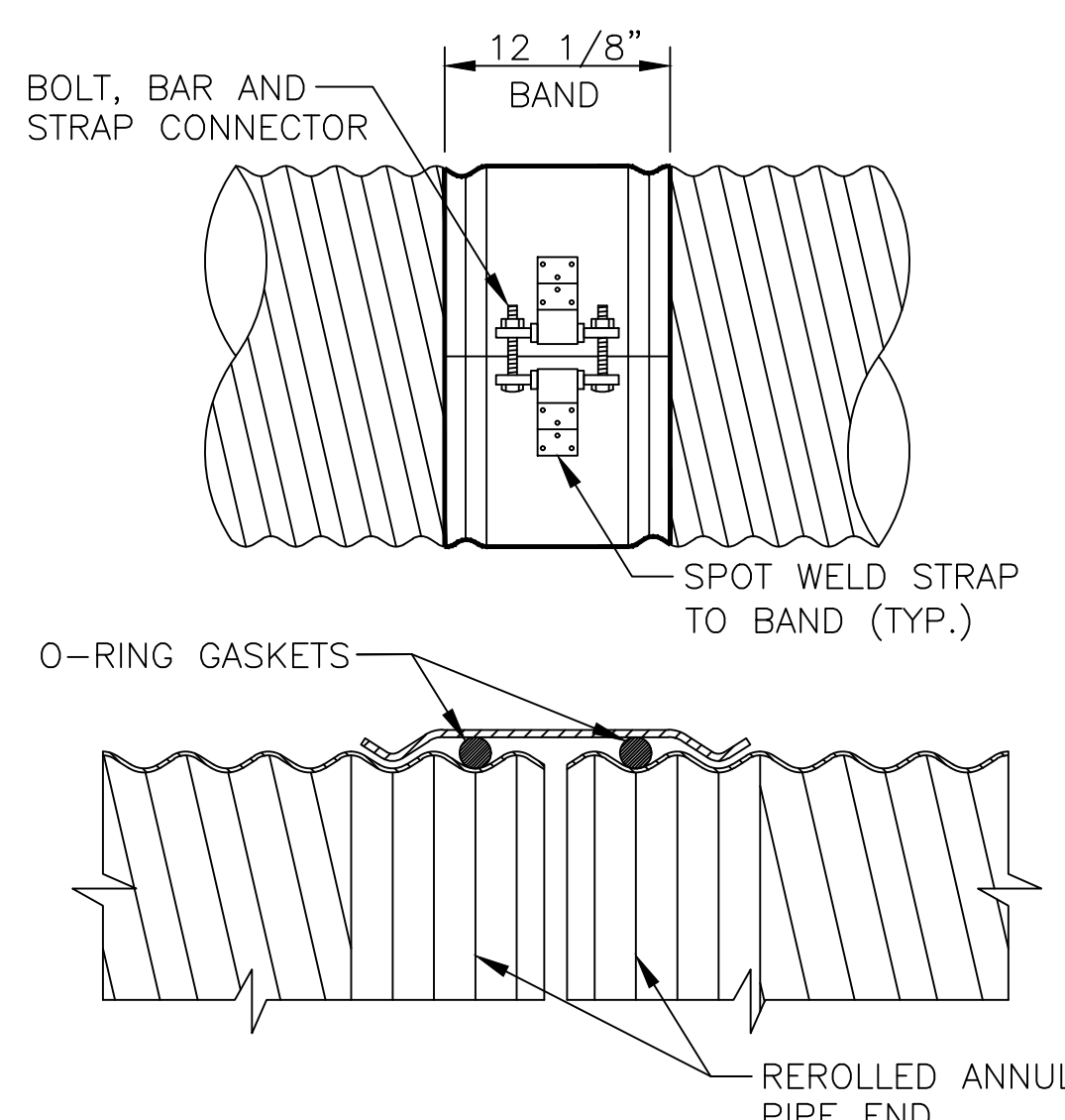
LOCATION	PIPE SIZE	3Do	La	W	THICKNESS	RIP RAP	FILTER BEDDING STONE N.S.A. NO.
CELL 1-2 #1 NORTH DITCH	30"	4'	19.5'	4'	9"	N.S.A. # R-3	N.S.A. # FS-2
CELL 1-2 #2 SOUTH DITCH	32" x 50"	4'	36.5'	4'	9"	N.S.A. # R-3	N.S.A. # FS-2
CELL 2 #5 WEST ENTRANCE ROAD	21"	4'	12.5'	4'	4.5"	N.S.A. # R-2	N.S.A. # FS-1
CELL 2 #4 SOUTHWEST CORNER	21"	4'	12.5'	4'	9"	N.S.A. # R-3	N.S.A. # FS-2
CELL 3 #1 SOUTH ENTRANCE ROAD	18"	4'	9.5'	4'	4.5"	N.S.A. # R-2	N.S.A. # FS-1
CELL 3-8 #1 SOUTH ROAD	30"	4'	19.5'	4'	9"	N.S.A. # R-3	N.S.A. # FS-2
CELL 4 #2 EAST ROAD	30"	4'	19.5'	4'	9"	N.S.A. # R-3	N.S.A. # FS-2
CELL 6 #3 EAST ROAD	36"	4'	25'	4'	9"	N.S.A. # R-3	N.S.A. # FS-2
WEST MAIN ACCESS ROAD	24"	4'	15'	4'	27"	N.S.A. # R-5	N.S.A. # FS-2

**TABLE 6-HEADWALL DETAILS**

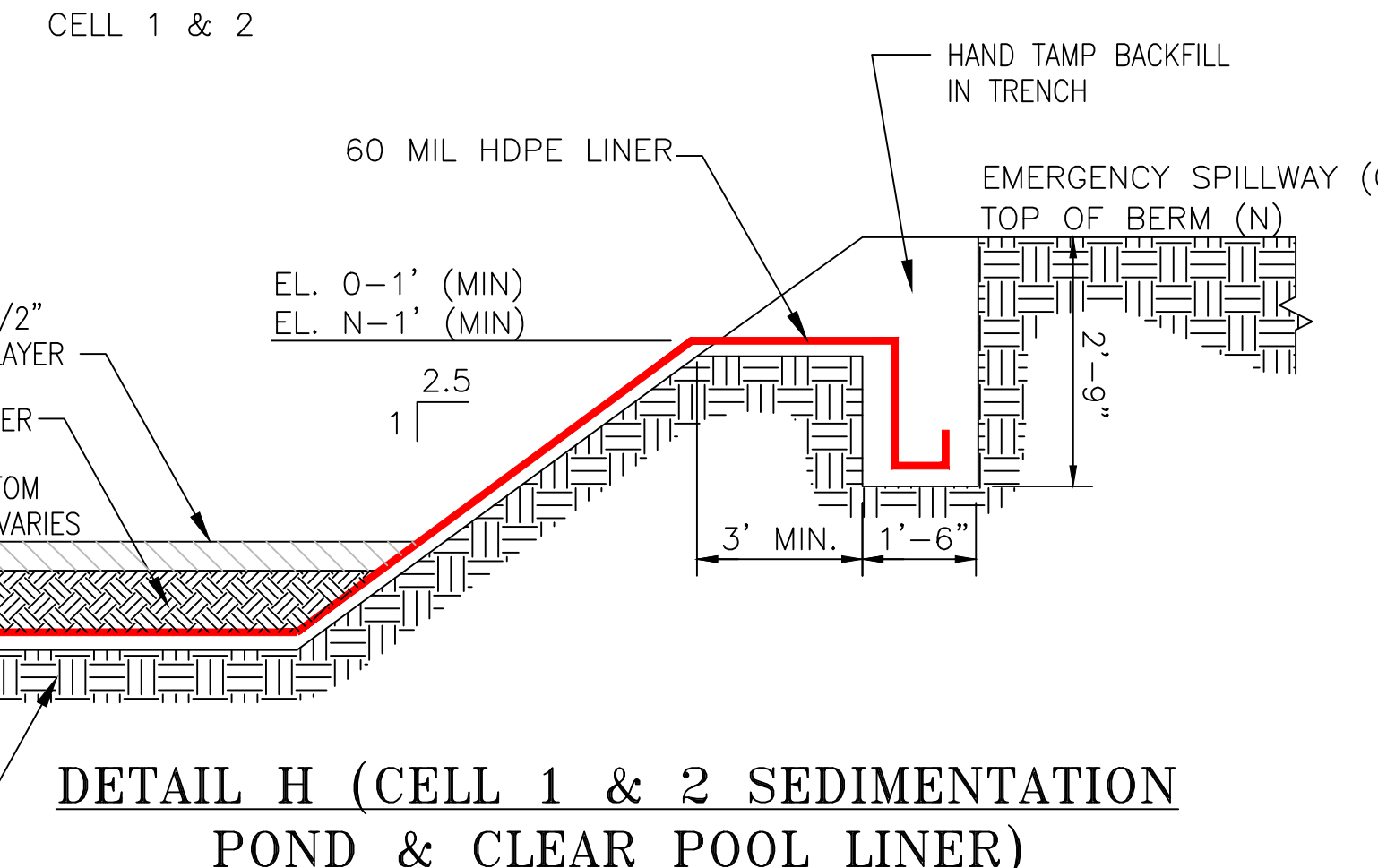
LOCATION	# PIPE	D SPILLWAY DIAMETER	INBOARD HEADWALL			OUTBOARD HEADWALL		
			A	B	C	A	B	C
CELL 1-2 CONSTRUCTION BASIN	1	48"	NA	NA	NA	8"	36"	72"
CELL 3 CONSTRUCTION BASIN	2	36"	NA	NA	NA	NA	NA	NA
CELL 4 CONSTRUCTION BASIN	1	42"	NA	NA	NA	NA	NA	NA
CELL 5-7 CONSTRUCTION BASIN	2	24"	NA	NA	NA	8"	36"	48"
CELL 6 CONSTRUCTION BASIN	2	24"	NA	NA	NA	8"	36"	48"
CELL 8 CONSTRUCTION BASIN	2	24"	NA	NA	NA	8"	36"	48"
CELL 9 & 10 CONSTRUCTION BASIN	1	36"	NA	NA	NA	6"	36"	60"
CELL 10 CONSTRUCTION BASIN	1	30"	NA	NA	NA	5"	36"	54"
CELL 1 & 2 POND	2	48"	16"	24"	72"	16"	36"	72"
CELL 3-5-7 POND	2	36"	NA	NA	NA	NA	NA	NA
CELL 4 POND	1	42"	NA	NA	NA	NA	NA	NA
CELL 6 POND	6	24"	24"	24"	48"	24"	24"	48"
CELL 8 POND	5	24"	20"	24"	48"	20"	24"	48"
CELL 9 & 10 POND	2	42"	14"	24"	66"	14"	36"	66"
CELL 1 & 2 POOL	1	48"	8"	36"	72"	SEE CONSTRUCTION BASIN	SEE CONSTRUCTION BASIN	SEE CONSTRUCTION BASIN
CELL 3-5-7 POOL	2	30"	NA	NA	NA	NA	NA	NA
CELL 4 POOL	1	30"	NA	NA	NA	NA	NA	NA
CELL 6 POOL	2	24"	8"	36"	48"	SEE CONSTRUCTION BASIN	SEE CONSTRUCTION BASIN	SEE CONSTRUCTION BASIN
CELL 8 POOL	2	24"	8"	36"	48"	SEE CONSTRUCTION BASIN	SEE CONSTRUCTION BASIN	SEE CONSTRUCTION BASIN
CELL 9 & 10 POOL	1	36"	6"	36"	60"	SEE CONSTRUCTION BASIN	SEE CONSTRUCTION BASIN	SEE CONSTRUCTION BASIN



**DETAIL C**  
NOT TO SCALE  
(H-15297)

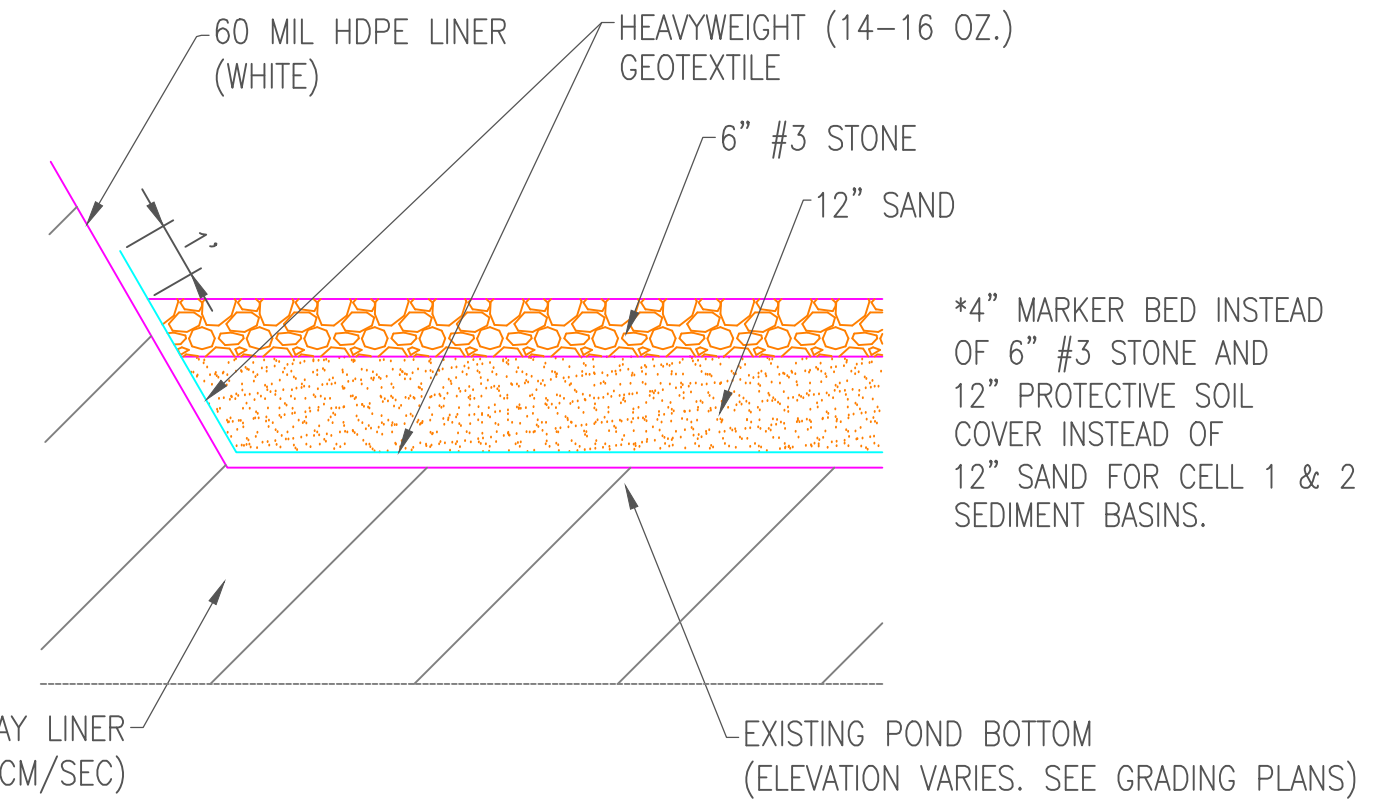
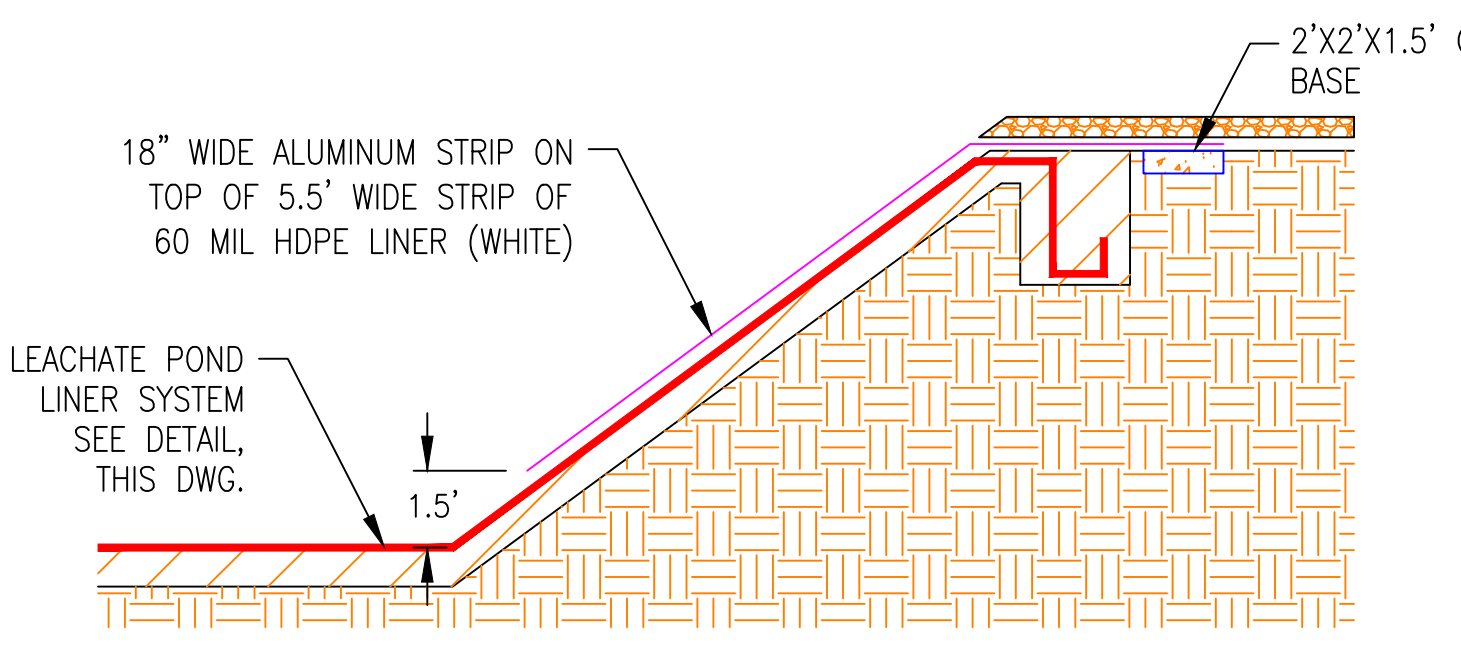


**BAND CONNECTOR DETAIL**  
NOT TO SCALE



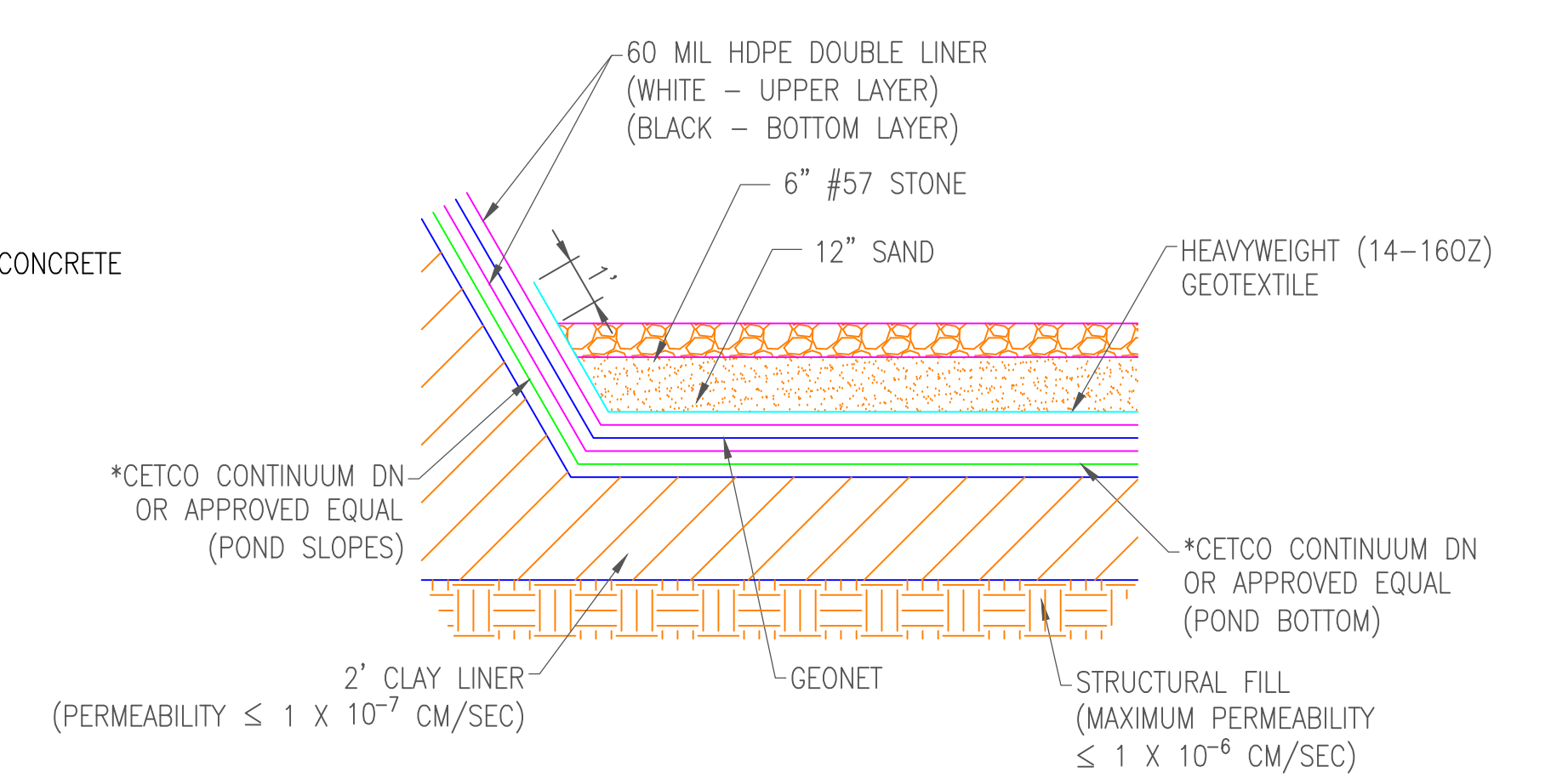
**DETAIL H (CELL 1 & 2 SEDIMENTATION POND & CLEAR POOL LINER)**  
NOT TO SCALE

(H-15087, H-15088, H-15095, H-15096)

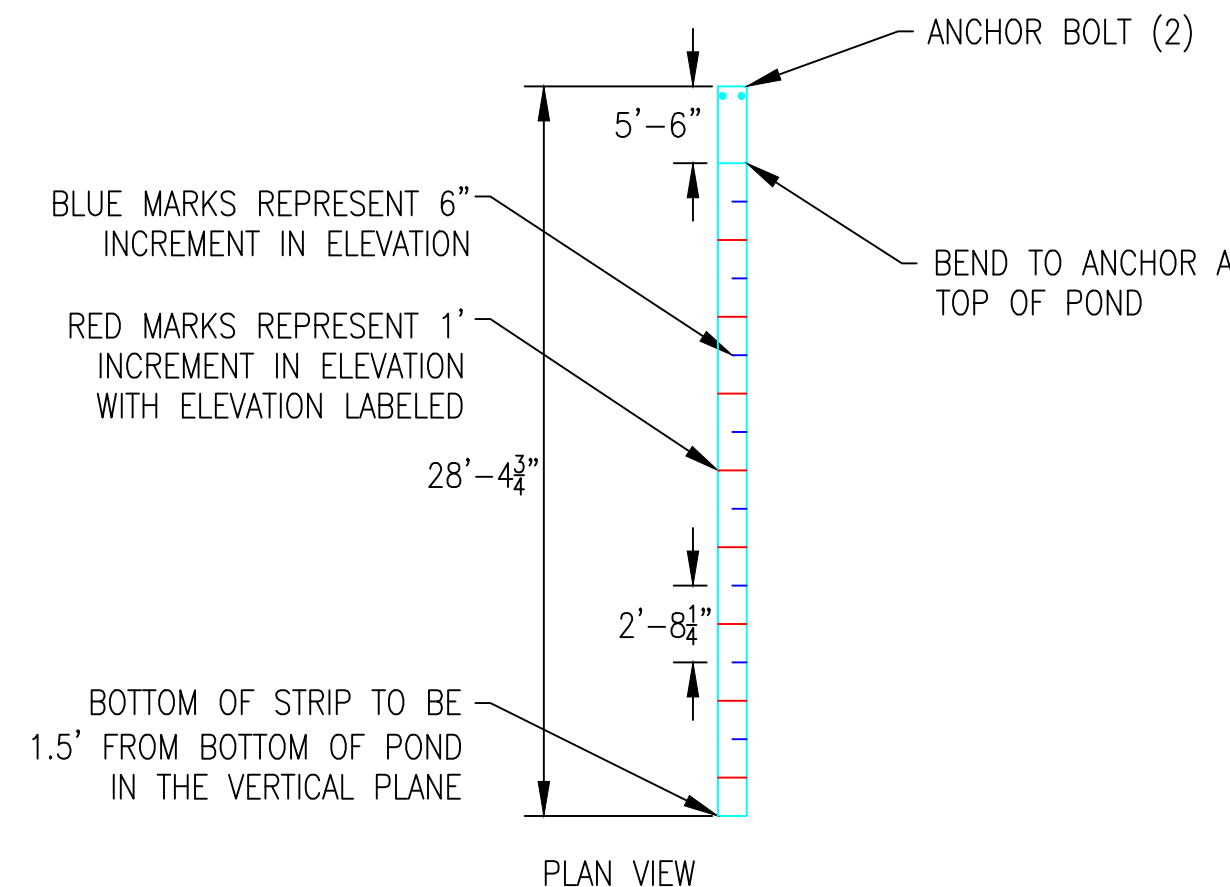


**SEDIMENTATION POND/CLEAR POOL LINER DETAIL CELLS 3-8**  
NOT TO SCALE

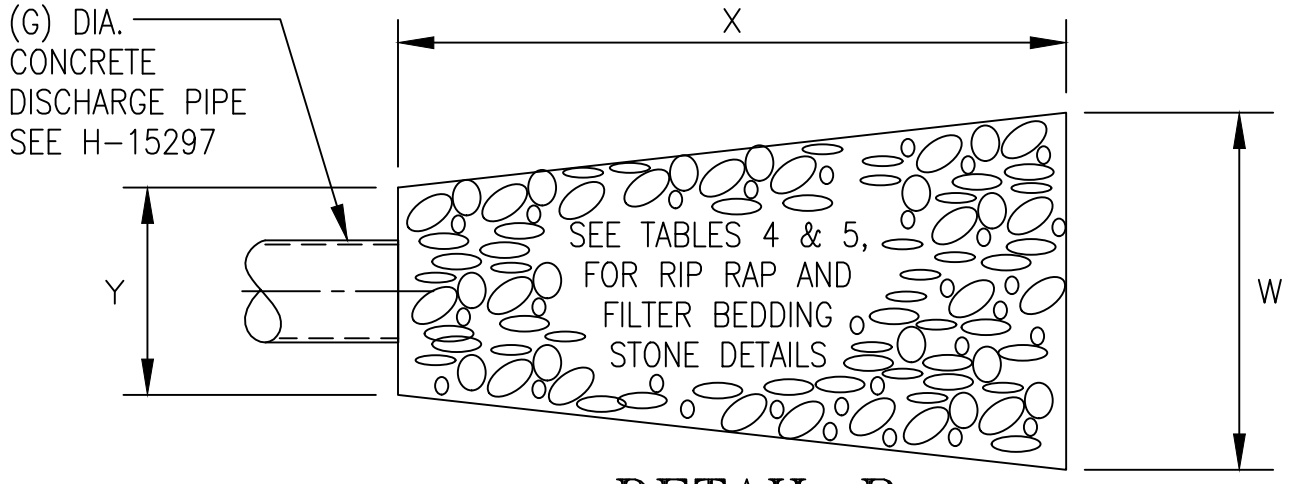
EXISTING 2' CLAY LINER (PERMEABILITY  $\leq 1 \times 10^{-7}$  CM/SEC)  
EXISTING POND BOTTOM (ELEVATION VARIES. SEE GRADING PLANS)



**LEACHATE POND LINER DETAIL**  
NOT TO SCALE

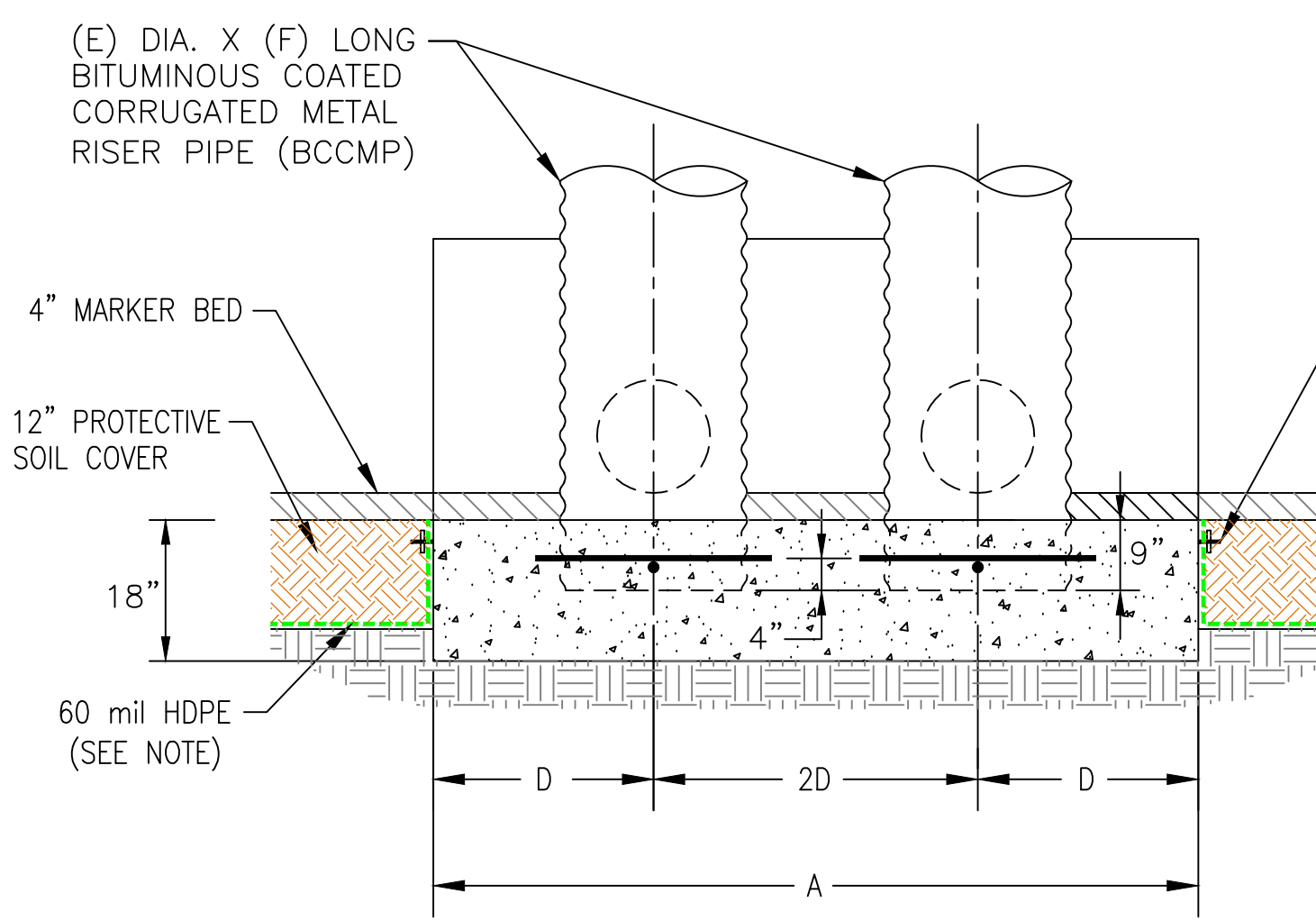


**WATER LEVEL MARKER POST DETAIL**  
NOT TO SCALE

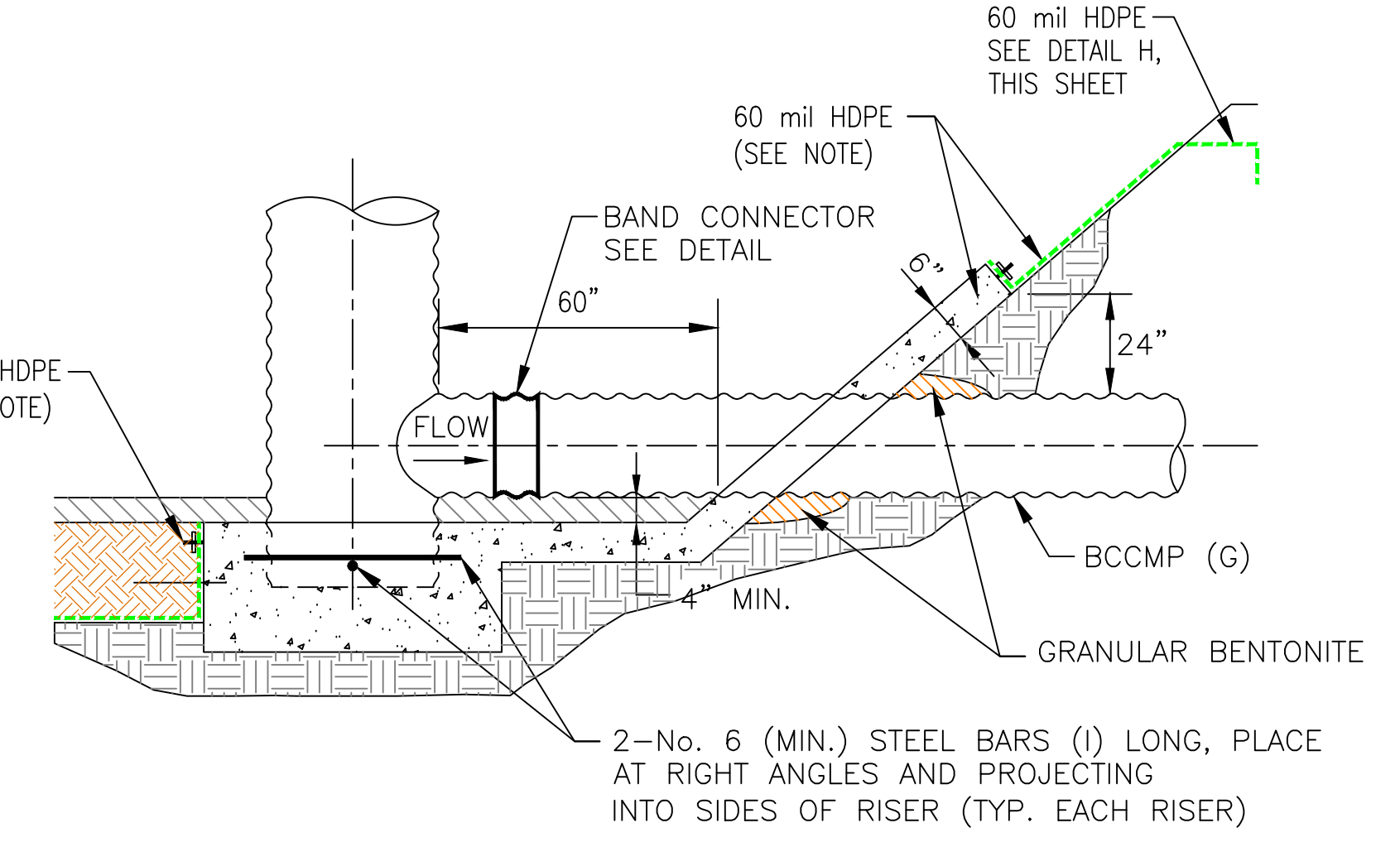


**DETAIL B**  
NOT TO SCALE  
(H-15297)

NOTE: NUMBER OF SPILLWAY PIPES VARIES



**HEADWALL B BASE DETAIL**  
NOT TO SCALE

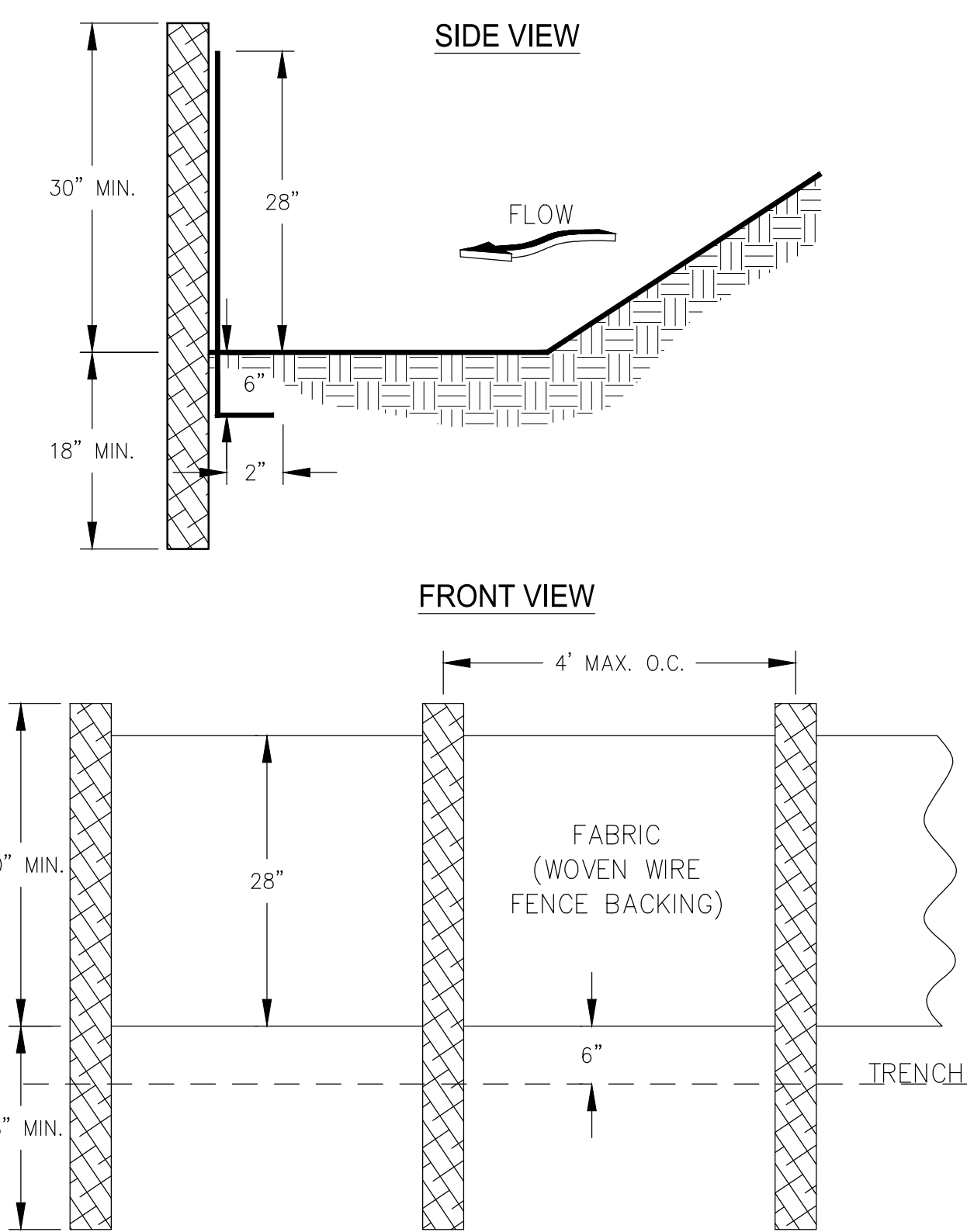


**REFERENCE DRAWINGS:**

- FOR A COMPLETE DRAWING LIST SEE SHEET H-15061.
- SEE DRAWING H-15063 FOR GENERAL NOTES AND REFERENCES.

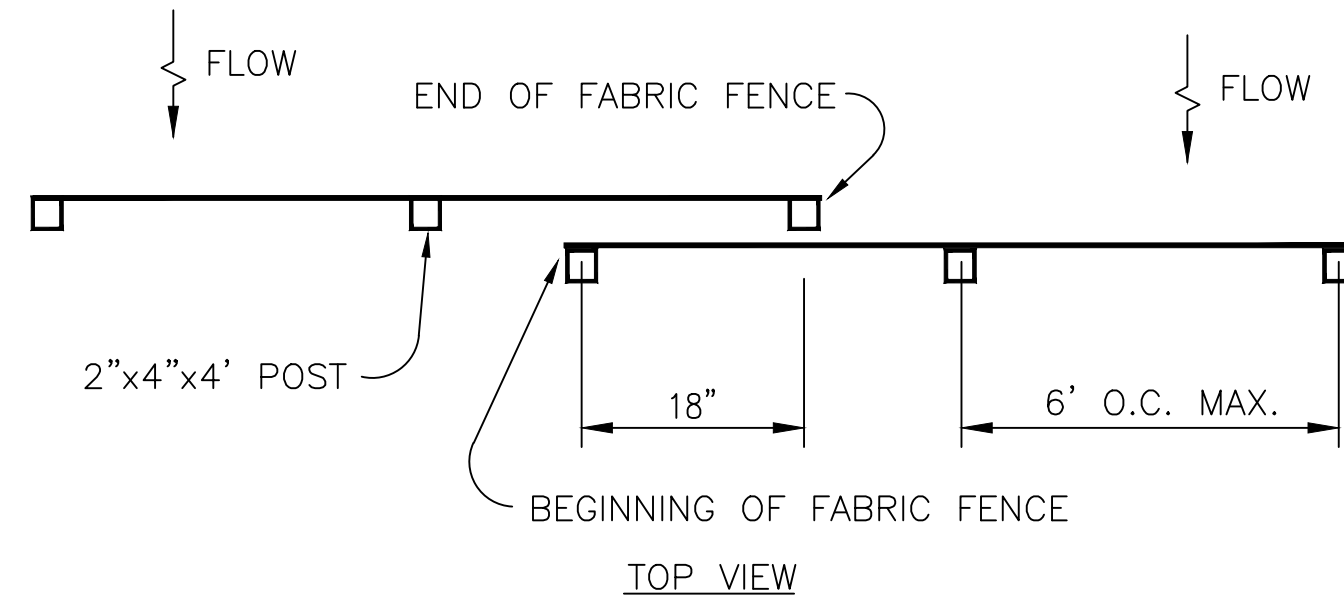
REVISION		DATE	REVISION		DATE	REVISION		DATE	REVISION		DATE	REVISION		DATE	REVISION		DATE	REVISION		DATE					
CHK'D	CIVIL APPR	ELECT APPR	L/C APPR	MECH APPR	MGR APPR	CHK'D	CIVIL APPR	ELECT APPR	L/C APPR	MECH APPR	MGR APPR	BY	CHK'D	CIVIL APPR	ELECT APPR	L/C APPR	MECH APPR	MGR APPR	BY	CHK'D	CIVIL APPR	ELECT APPR	L/C APPR	MECH APPR	MGR APPR
												ANR													
Southern Company Generation FOR												ISSUED FOR PERMIT													
GEORGIA POWER COMPANY												PLANT BOWEN CCB DISPOSAL FACILITY EROSION CONTROL & SEDIMENT DETAILS SHEET 3 OF 6													
SCALE												PROJ. I.D.													
DRAWING NUMBER												SH. CONT'D. REV.													
H-15298												1 FINAL 0													



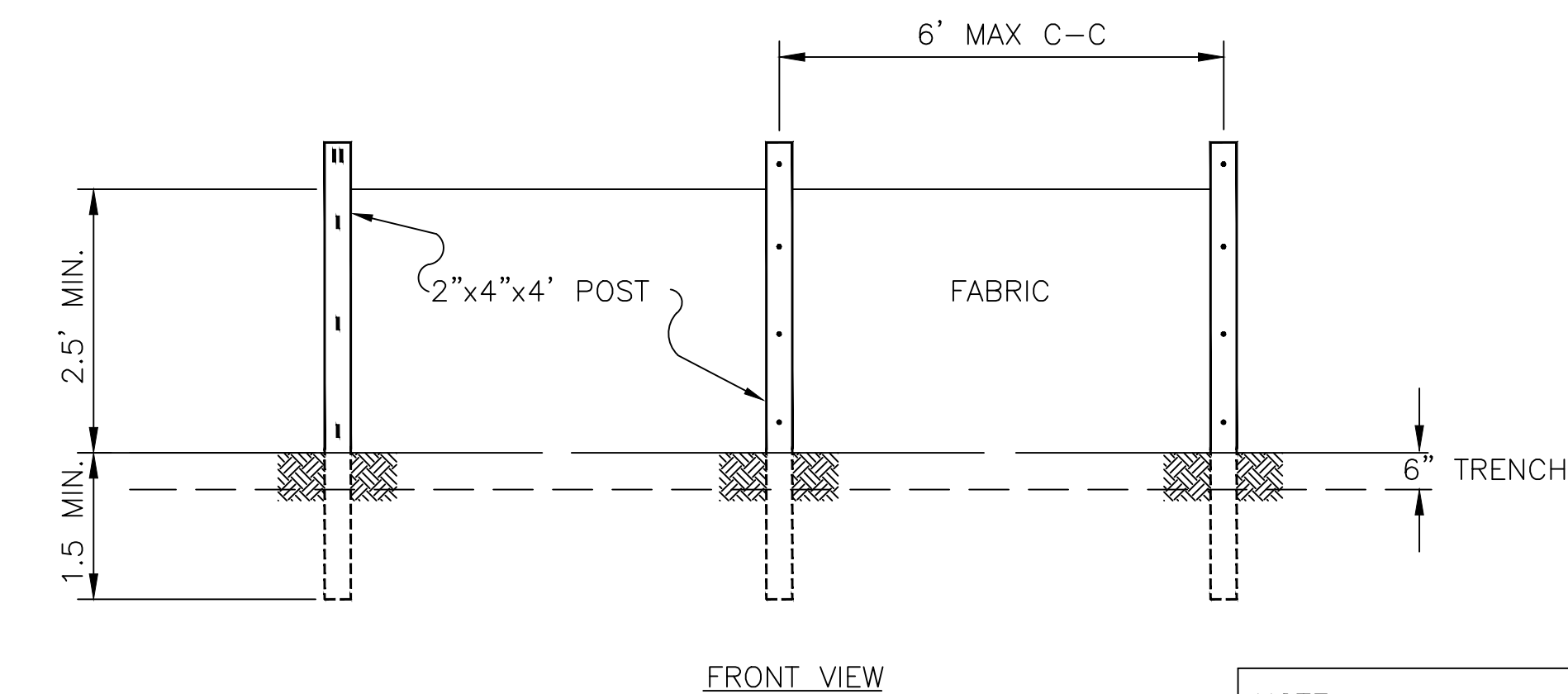


NOTES:  
1. USE STEEL OR WOOD POSTS OR AS SPECIFIED BY THE EROSION, SEDIMENTATION, AND POLLUTION CONTROL PLAN.

**SILT FENCE - TYPE C**  
NOT TO SCALE



**TYPICAL SILT FENCE - OVERLAP DETAIL**  
NOT TO SCALE

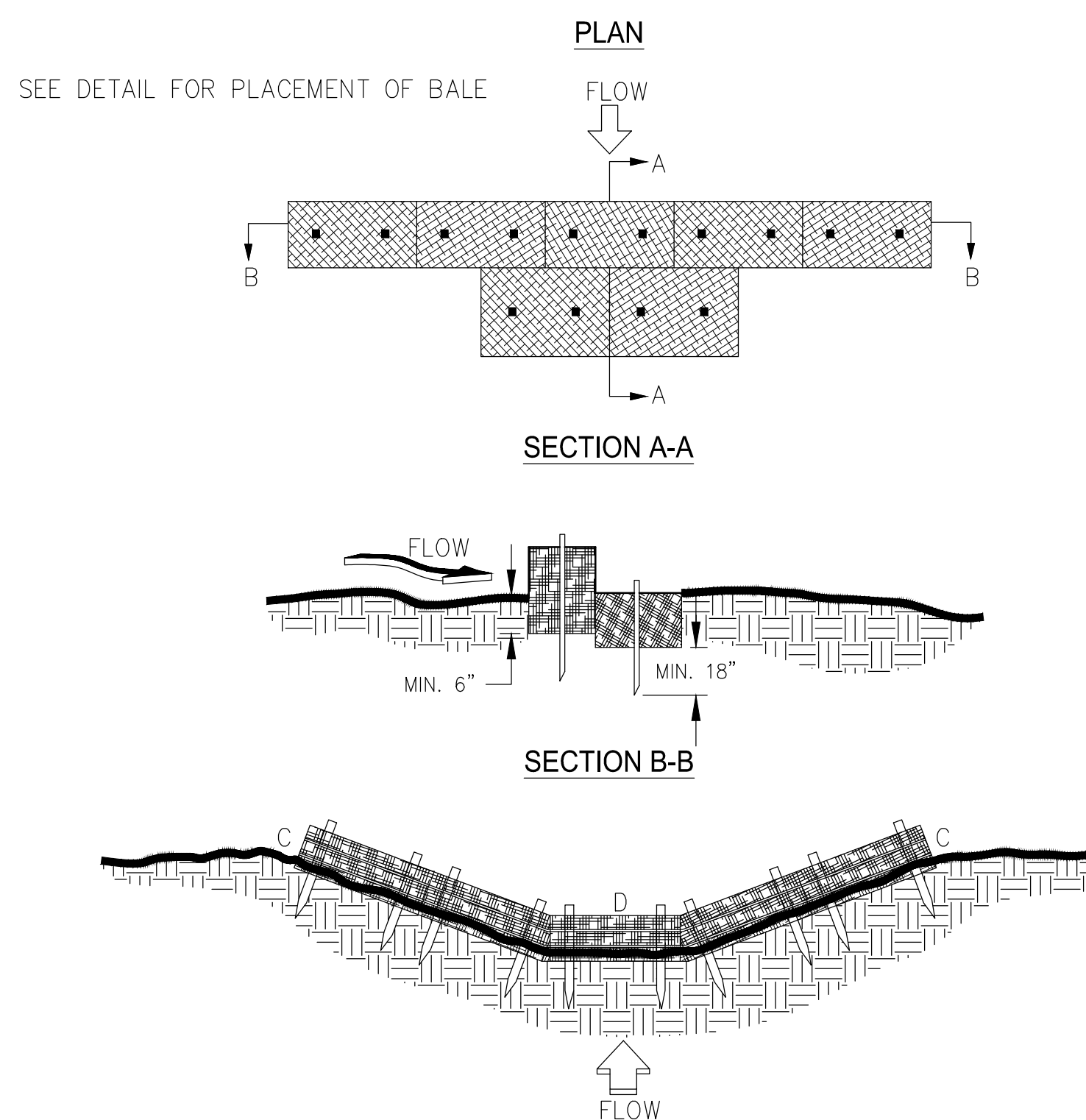


NOTE:  
USE 36" D.O.T. APPROVED FABRIC  
USE WOOD OR STEEL POLES

FASTENERS FOR WOOD POSTS

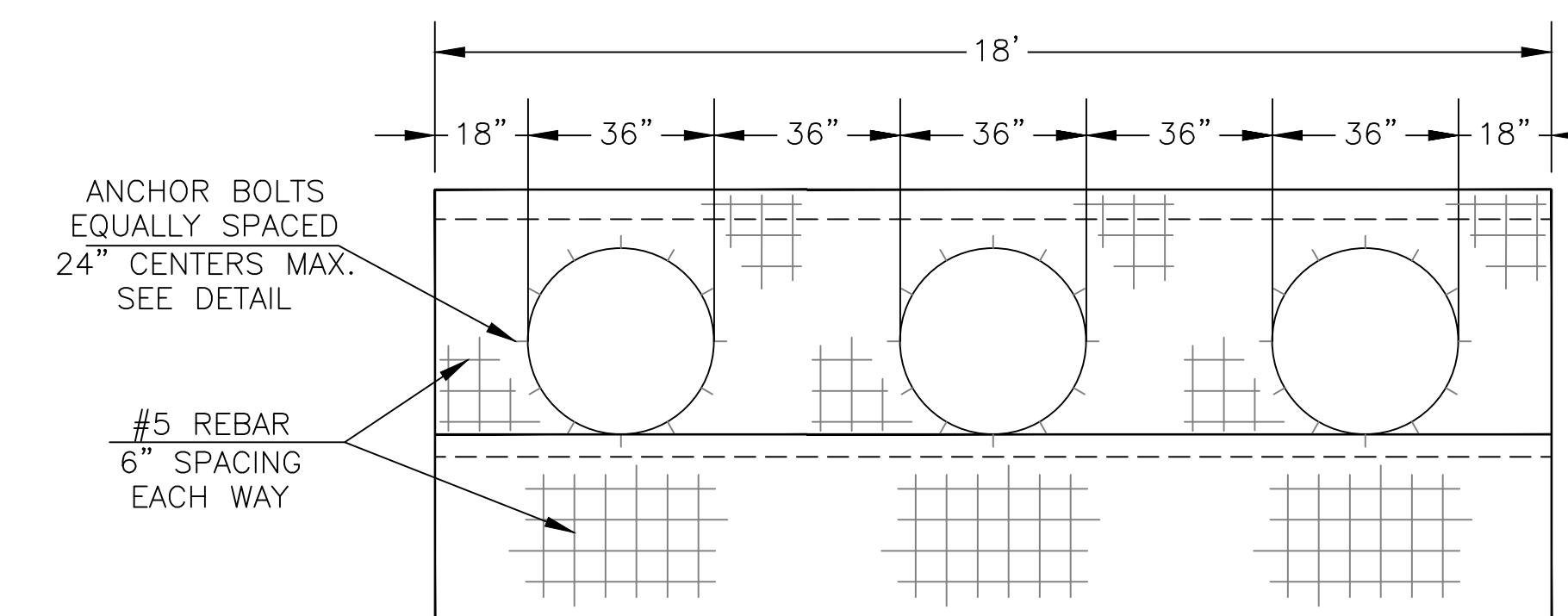
	GAUGE	CROWN	LEGS	STAPLES/POST
WIRE STAPLES	17 MIN.	3/4" WIRE	1/2" LONG	5 MIN.
	GAUGE	LENGTH	BUTTON HEADS	NAILS/POST
NAILS	14 MIN.	1" WIRE	3/4"	5 MIN.

**TYPICAL SILT FENCE - FASTENER DETAIL**  
NOT TO SCALE

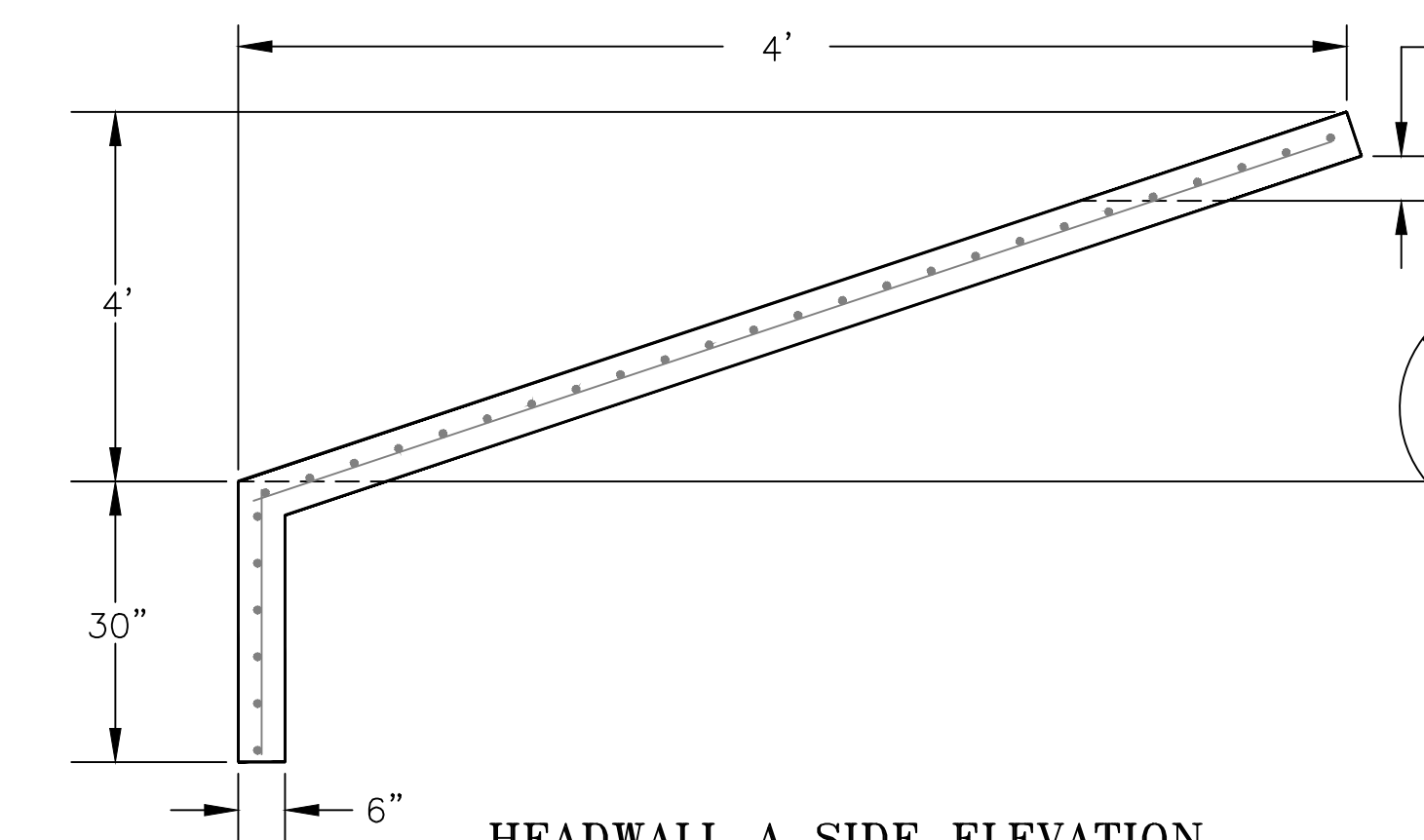


NOTES:  
1. BALES SHOULD BE BOUND WITH WIRE OR NYLON STRING AND SHOULD BE PLACED IN ROWS WITH BALE ENDS TIGHTLY ABUTTING THE ADJACENT BALES.  
2. REMOVE #4 REBAR AFTER STRAW BALES ARE NO LONGER IN PLACE.  
3. POINT C OF SECTION B-B SHOULD ALWAYS BE HIGHER THAN POINT D.

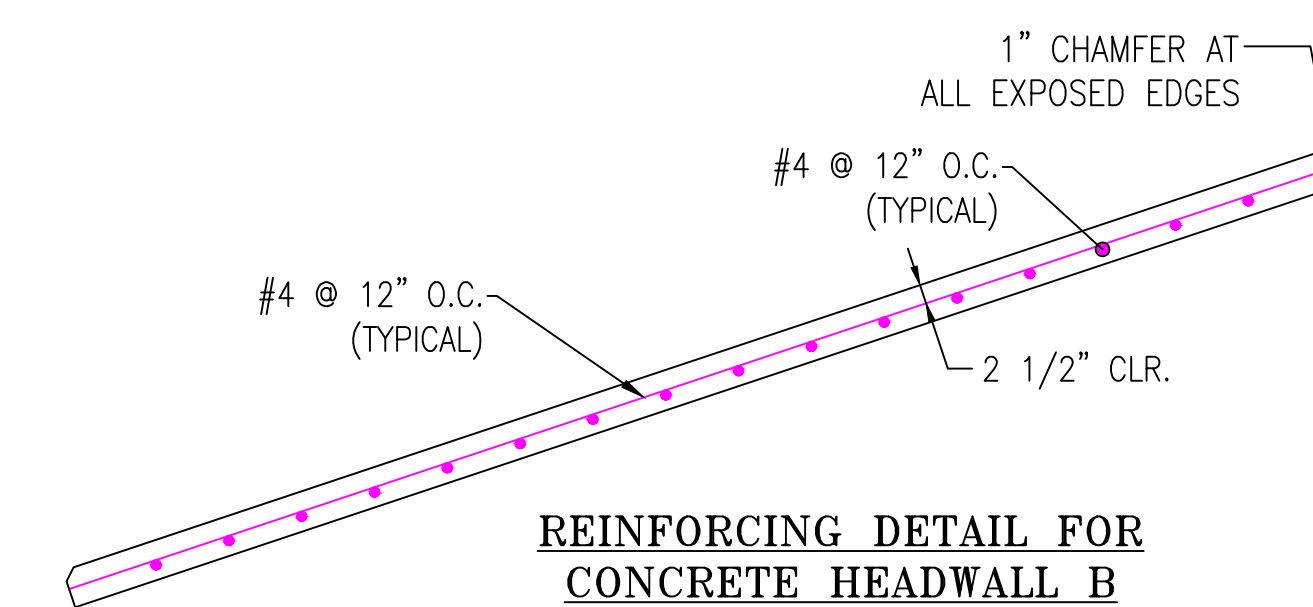
**TYPICAL STRAW BALE CHECK DAM**  
NOT TO SCALE



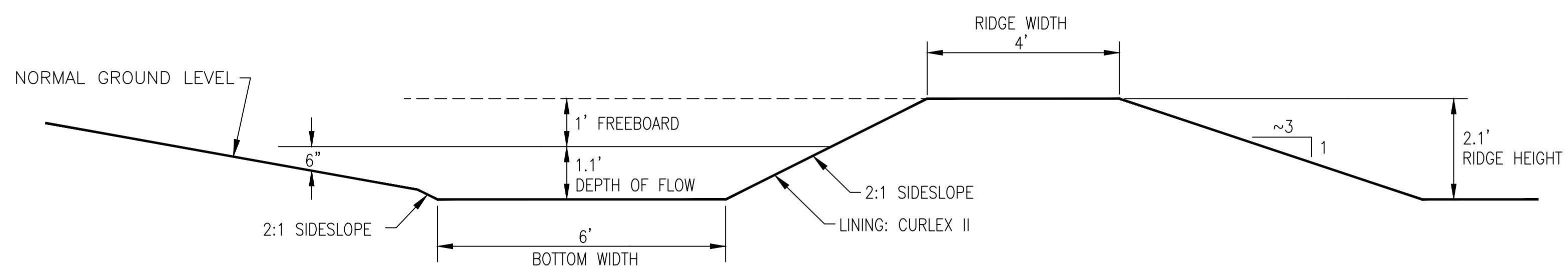
**HEADWALL A FRONT ELEVATION**  
NOT TO SCALE  
(H-15066)



**HEADWALL A SIDE ELEVATION**  
NOT TO SCALE  
(H-15066)



**REINFORCING DETAIL FOR CONCRETE HEADWALL B**  
N.T.S.  
(H-15066)

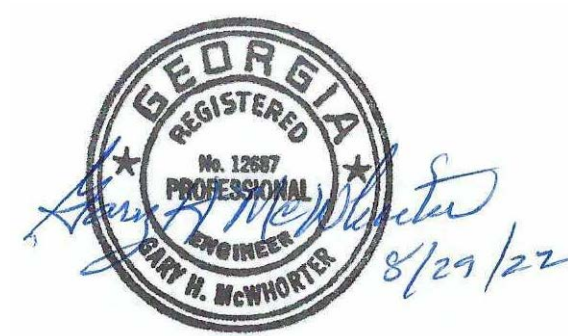


**DIVERSION DETAIL (EXCAVATION PHASE)**  
NOT TO SCALE

NOTES:  
1. ALL TREES, BRUSH, STUMPS, OBSTRUCTIONS, AND OTHER OBJECTIONABLE MATERIAL SHALL BE REMOVED AND DISPOSED OF SO AS NOT TO INTERFERE WITH THE PROPER FUNCTIONING OF THE DIVERSION.  
2. THE DIVERSION SHALL BE EXCAVATED OR SHAPED TO LINE, GRADE, AND CROSS SECTION AS REQUIRED TO MEET THE CRITERIA SPECIFIED HEREIN AND FREE OF IRREGULARITIES WHICH WILL IMPEDE NORMAL FLOW.  
3. ALL FILLS SHALL BE MACHINE COMPACTED AS NEEDED TO PREVENT UNEQUAL SETTLEMENT THAT WOULD CAUSE DAMAGE IN THE COMPLETED DIVERSION.  
4. ALL EARTH REMOVED AND NOT NEEDED IN CONSTRUCTION SHALL BE SPREAD OR DISPOSED OF SO THAT IT WILL NOT INTERFERE WITH THE FUNCTIONING OF THE DIVERSION.  
5. DIVERSION CHANNEL SHALL BE STABILIZED IN ACCORDANCE WITH THE SITE'S OPERATION PLAN.

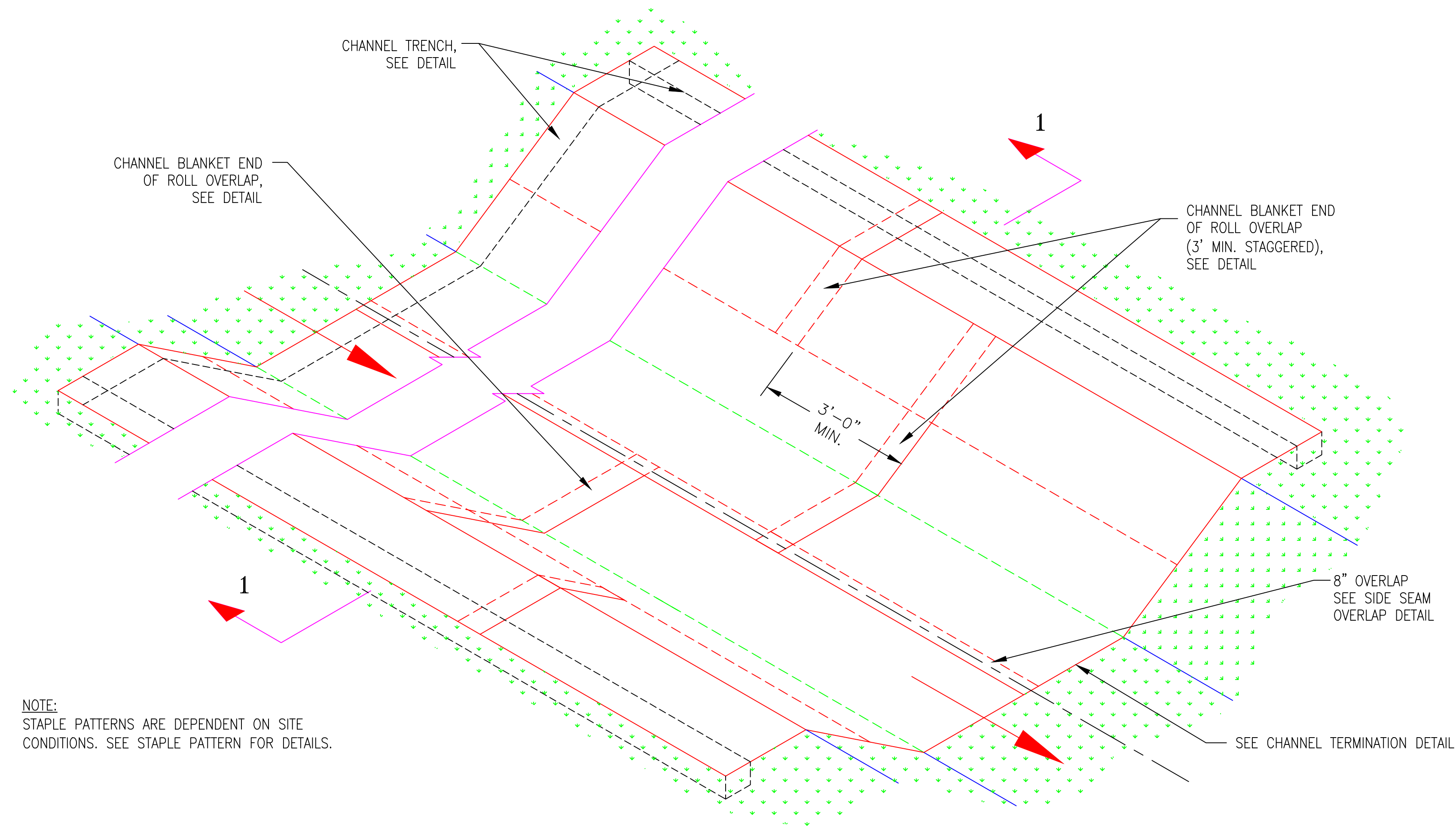
**REFERENCE DRAWINGS:**

- FOR A COMPLETE DRAWING LIST SEE SHEET H-15061.
- SEE DRAWING H-15063 FOR GENERAL NOTES AND REFERENCES.
- MANUAL FOR EROSION & SEDIMENT CONTROL IN GEORGIA, LATEST EDITION



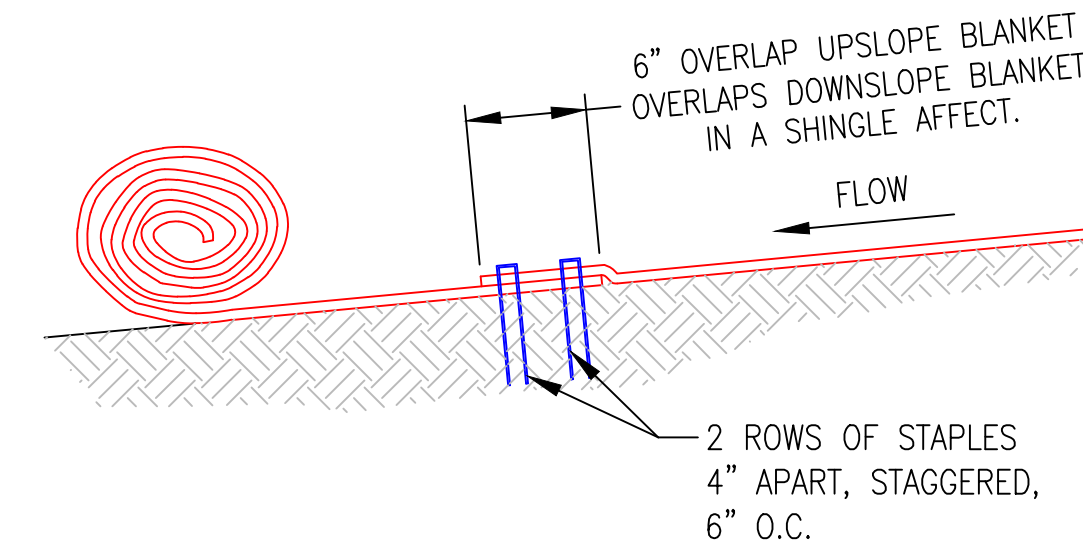
REVISION		DATE		REVISION		DATE		Southern Company Generation FOR				
				0		8/25/2022		GEORGIA POWER COMPANY				
				ISSUED FOR PERMIT				PLANT BOWEN CCB DISPOSAL FACILITY EROSION CONTROL & SEIMENT DETAILS SHEET 4 OF 6				
BY	CHK'D	CIVL APPR	ELECT APPR	I/C APPR	MECH APPR	MGR APPR	SCALE	PROJ I.D.	DRAWING NUMBER	SH	CONT'D	REV
ANR	RBL						NONE	10207	H-15299	1	FINAL	0



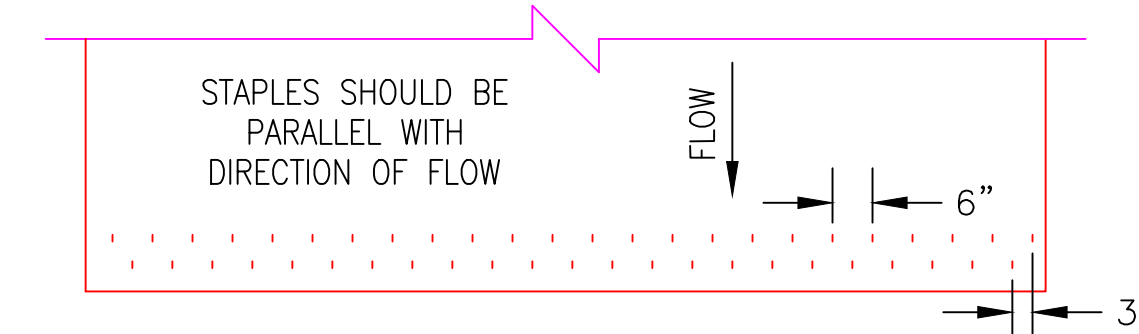


**PERIMETER DITCH LINER DETAIL**  
NOT TO SCALE

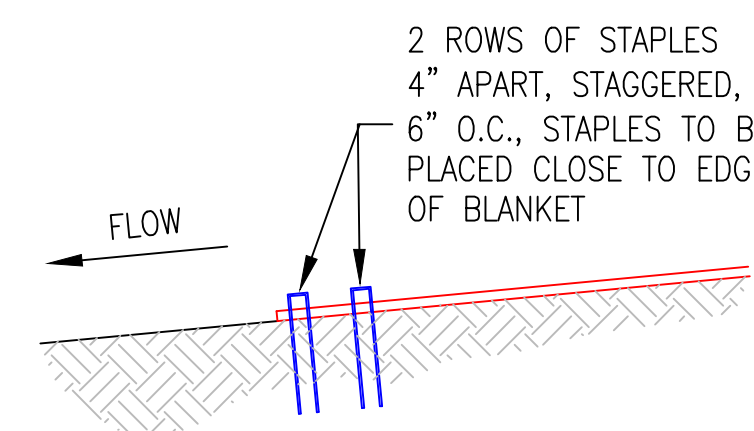
NOTE:  
STAPLE PATTERNS ARE DEPENDENT ON SITE  
CONDITIONS. SEE STAPLE PATTERN FOR DETAILS.



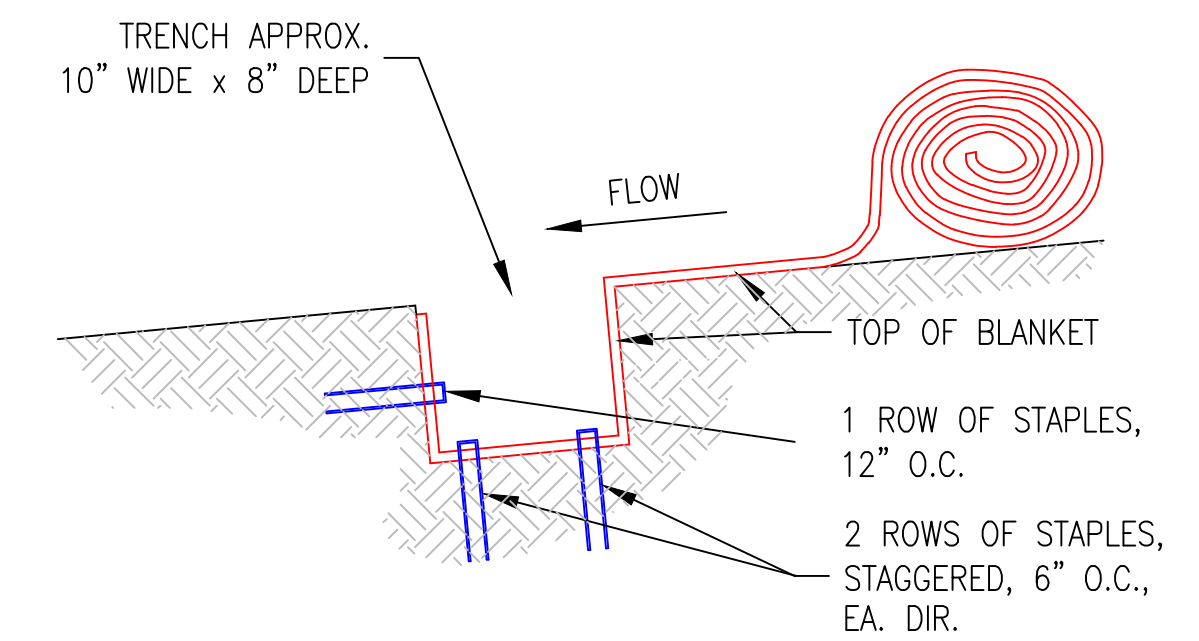
**CHANNEL BLANKET END OF ROLL OVERLAP**  
NOT TO SCALE



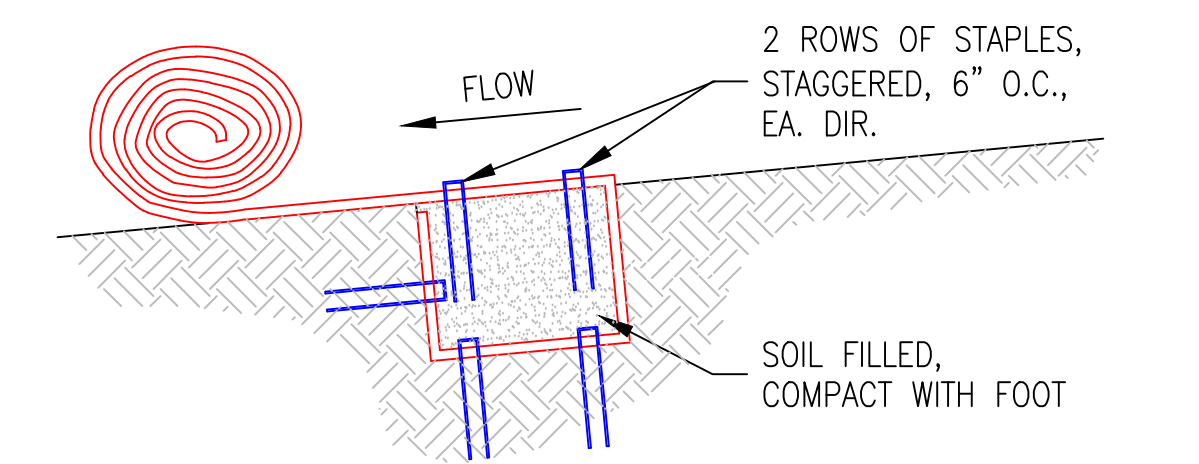
**CHANNEL TERMINATION PLAN**  
NOT TO SCALE



**CHANNEL TERMINATION**  
NOT TO SCALE

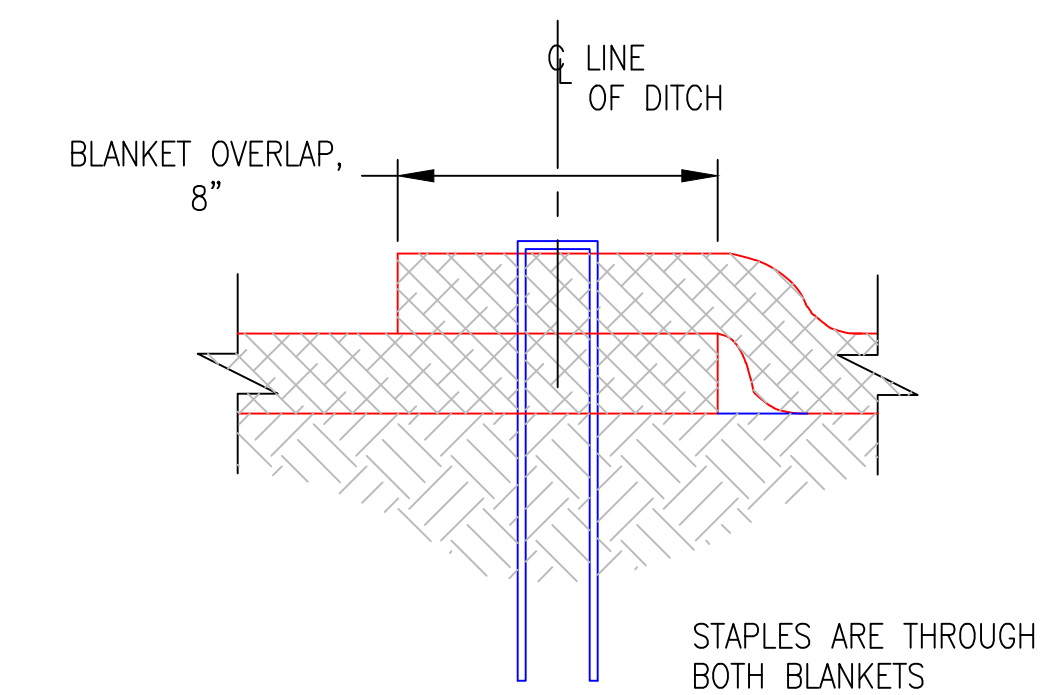


STEP 1

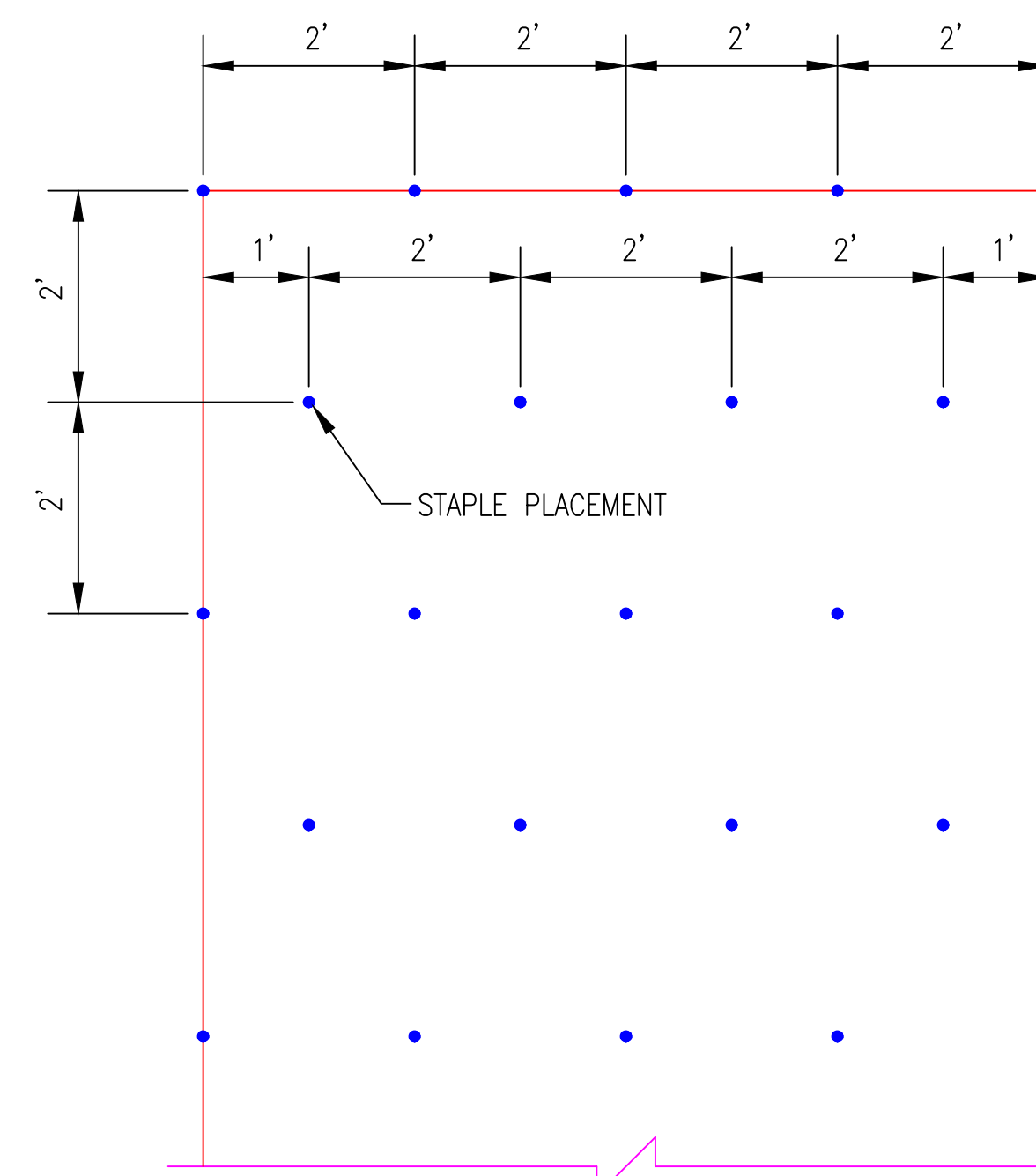


STEP 2

**CHANNEL TRENCH**  
NOT TO SCALE



**SIDE SEAM OVERLAP  
STAPLE DETAIL**  
NOT TO SCALE



**BLANKET STAPLE PATTERN**  
NOT TO SCALE

NOTE:  
FOR COHESIVE SOIL USE  
A 6"x1"x6" 11 GAUGE WIRE  
STAPLE AND FOR NON-  
COHESIVE SOIL USE A  
8"x2"x8" 11 GAUGE WIRE  
STAPLE.

**REFERENCE DRAWINGS:**  
1. FOR A COMPLETE DRAWING LIST SEE SHEET H-15061.  
2. SEE SHEET H-15063 FOR GENERAL NOTES AND REFERENCES.

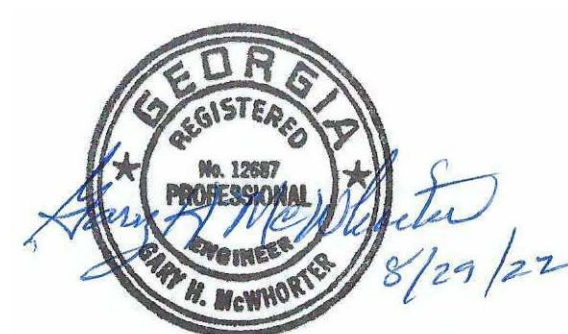
**CURLEX II STABILIZATION  
INSTALLATION DETAILS**

Southern Company Generation  
FOR

**GEORGIA POWER COMPANY**

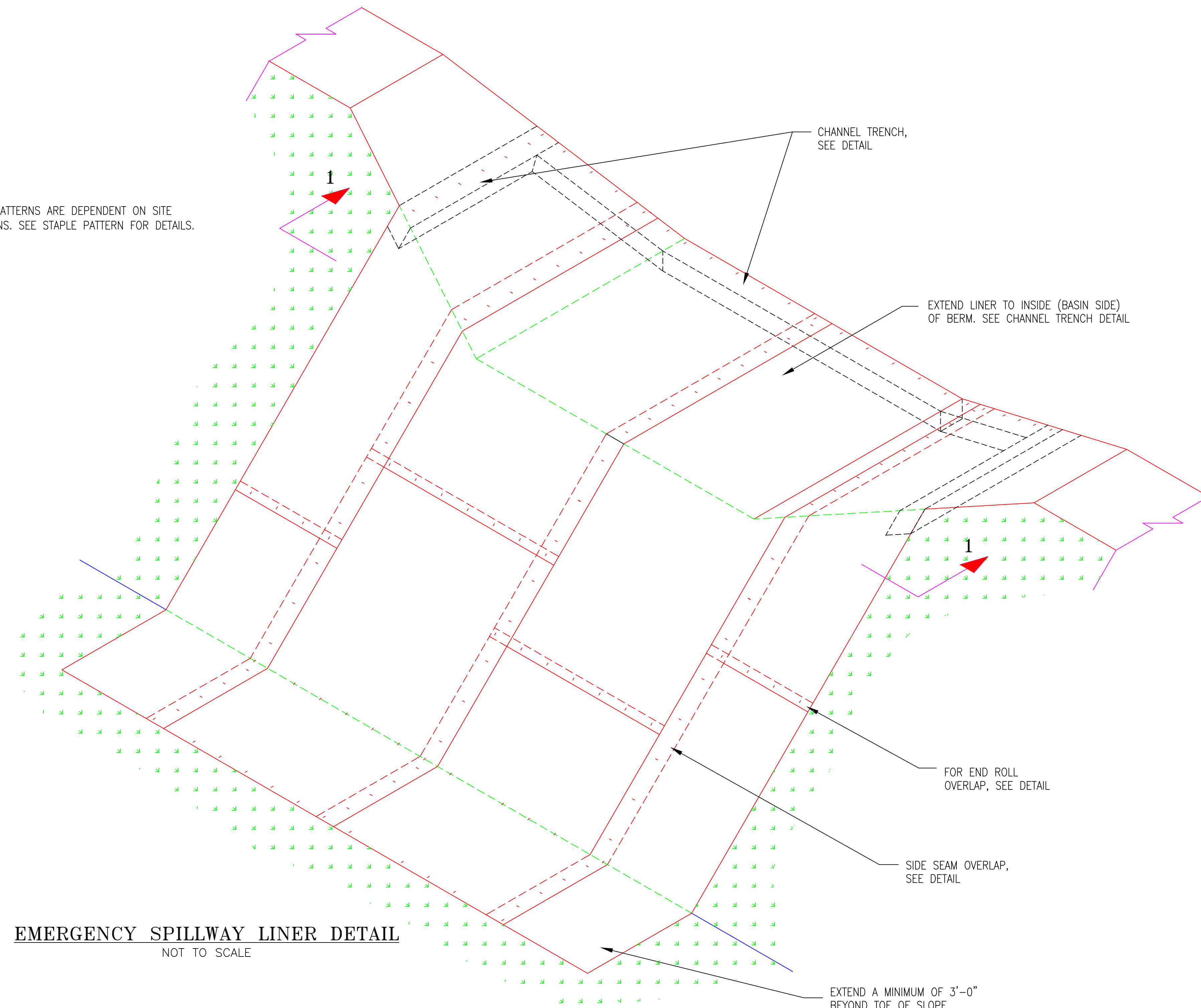
PLANT BOWEN  
CCB DISPOSAL FACILITY  
EROSION CONTROL & SEDIMENT DETAILS  
SHEET 5 OF 6

REVISION	DATE	REVISION	DATE
		0	8/25/2022
ISSUED FOR PERMIT			
BY	CHK'D	CIVL APPR	ELECT APPR
ANR	RBL		
		I/C APPR	MGR APPR
SCALE	PROJ. LD.	DRAWING NUMBER	SH. CONT'D. REV.
NONE	10207	<b>H-15300</b>	1 FINAL 0



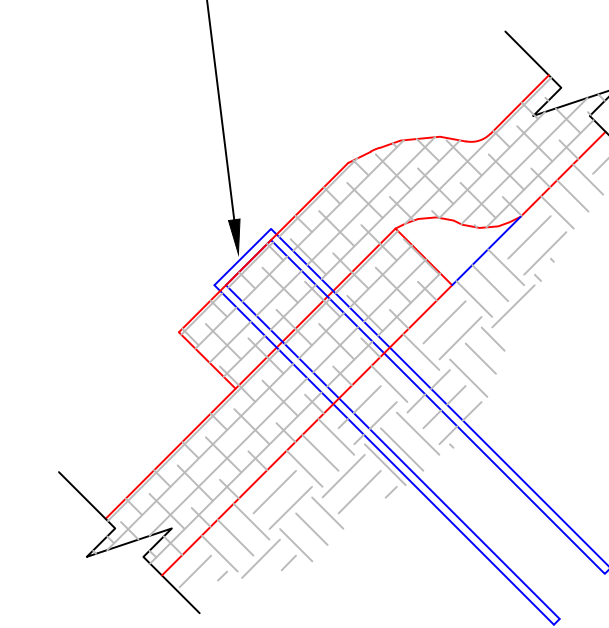


NOTE:  
STAPLE PATTERNS ARE DEPENDENT ON SITE  
CONDITIONS. SEE STAPLE PATTERN FOR DETAILS.

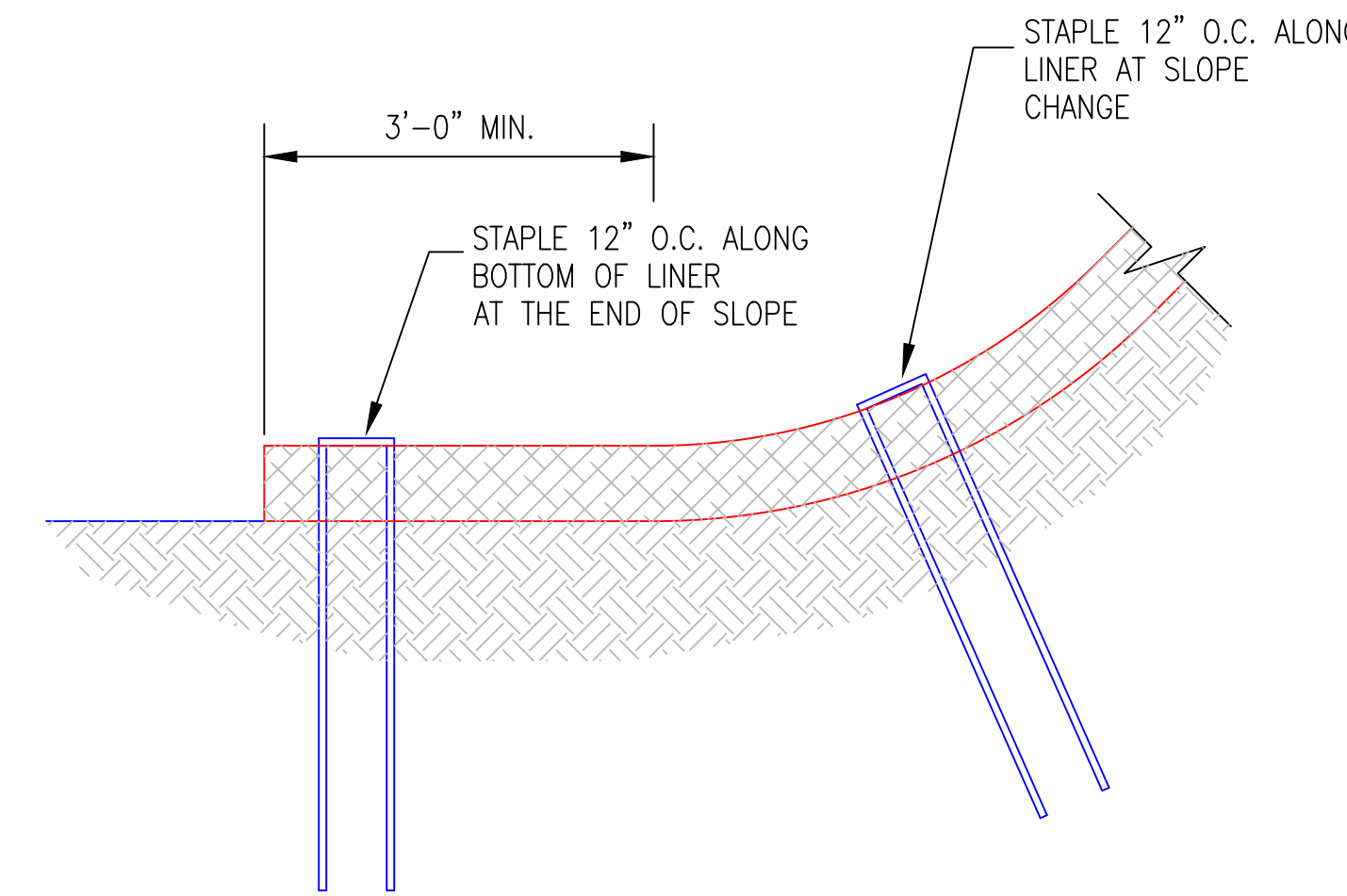


**EMERGENCY SPILLWAY LINER DETAIL**  
NOT TO SCALE

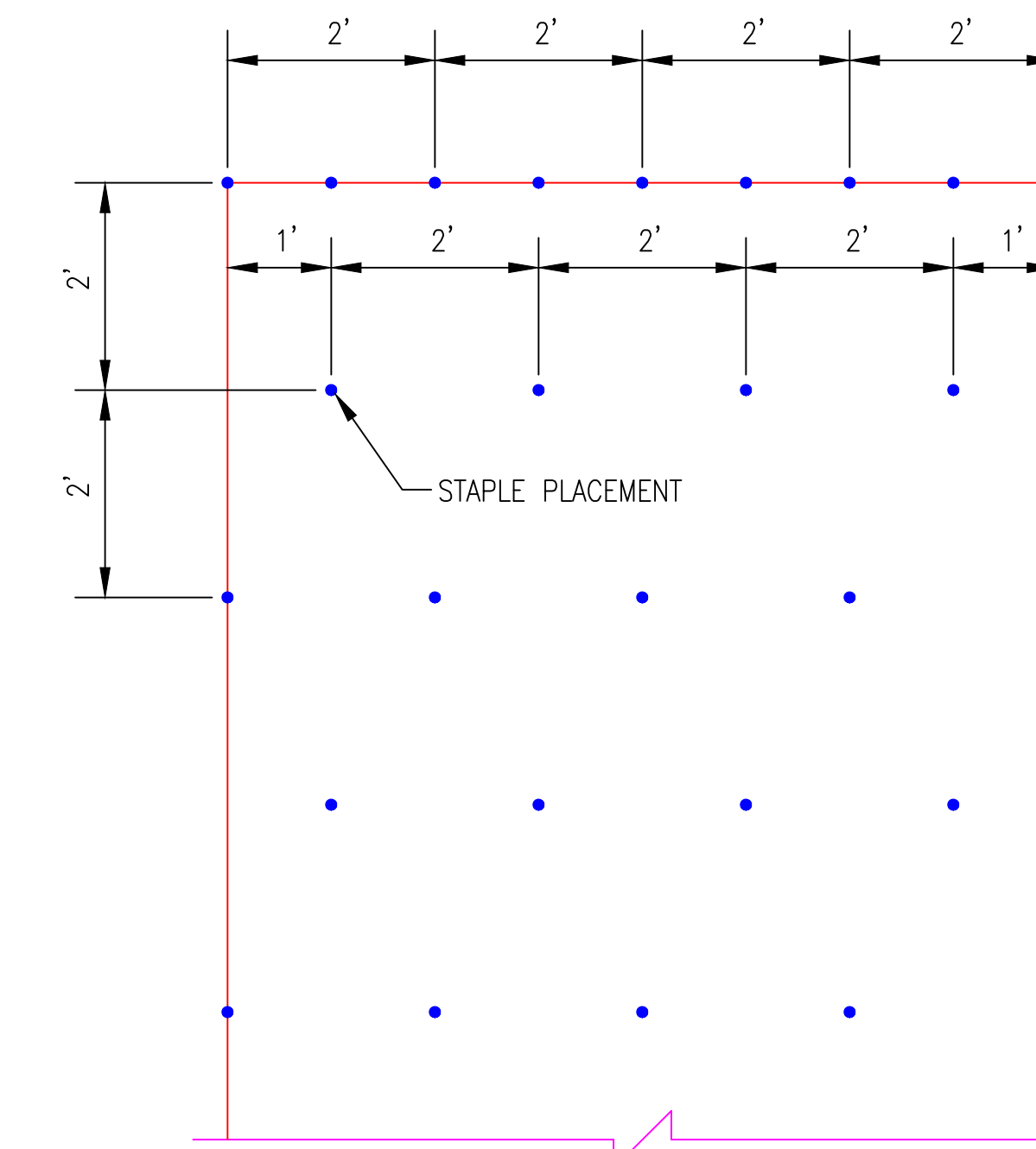
END SEAMS OVERLAP 2"-4".  
PLACE STAPLES, ONE ON EACH CORNER OF  
LINER, 12" O.C. ALONG END THROUGH  
BOTH LINERS. UPSLOPE LINER LAPS OVER  
DOWNSLOPE LINER IN A SHINGLE EFFECT.



**END OF ROLL OVERLAP**  
NOT TO SCALE

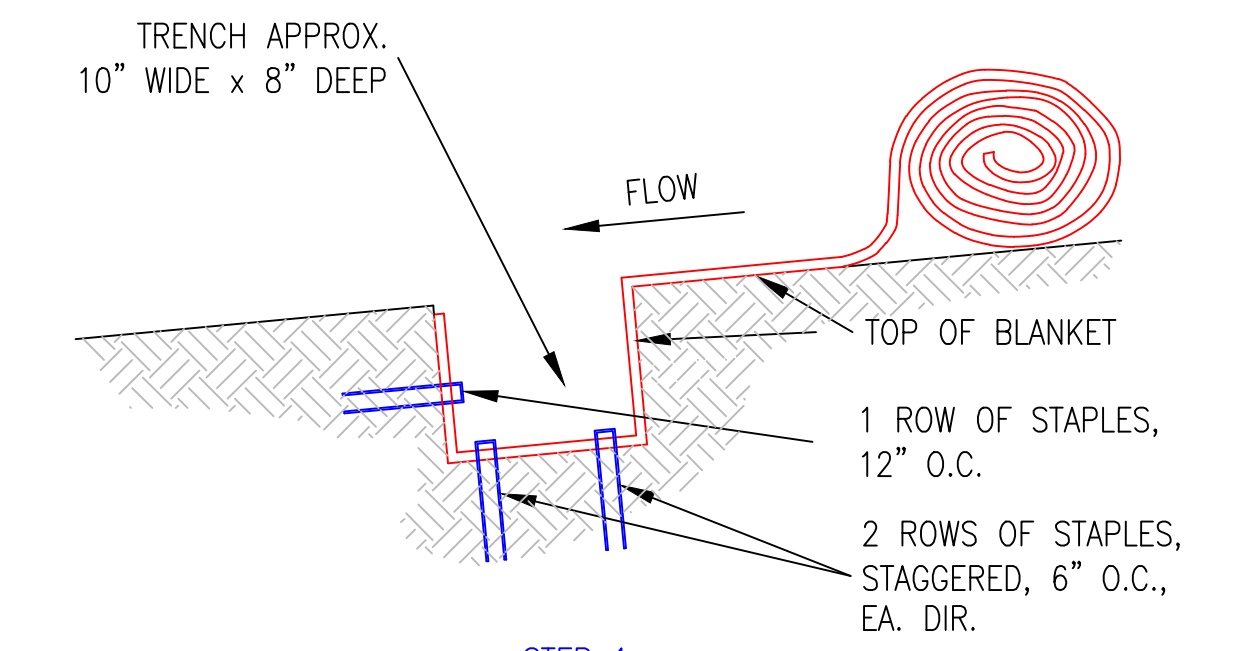


**BOTTOM OF SLOPE TERMINATION**  
NOT TO SCALE

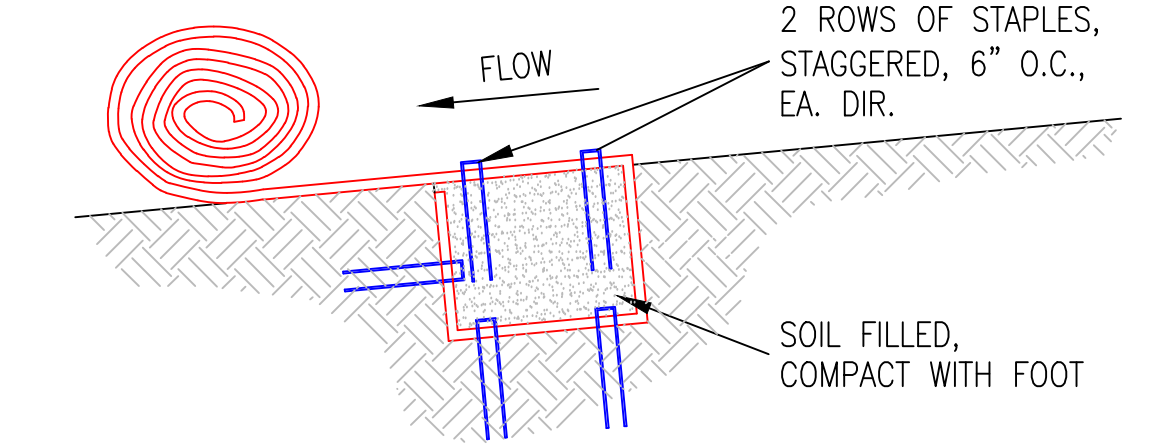


NOTE:  
FOR COHESIVE SOIL USE  
A 6"x1"x6" 11 GAUGE WIRE  
STAPLE AND FOR NON-  
COHESIVE SOIL USE A  
8"x2"x8" 11 GAUGE WIRE  
STAPLE.

**STAPLE PATTERN**  
NOT TO SCALE

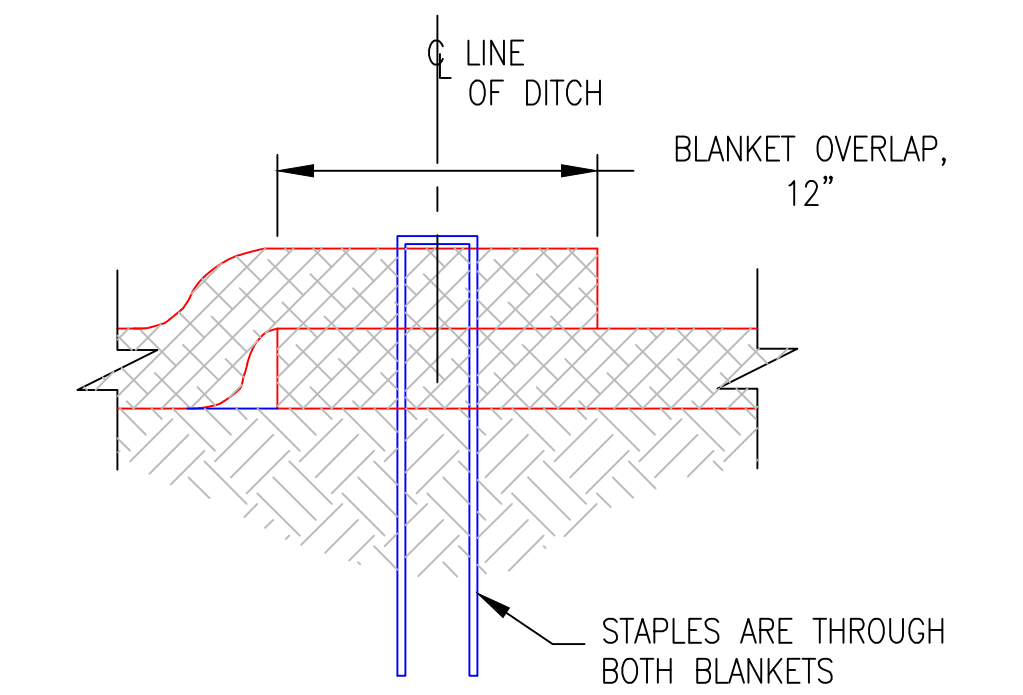


STEP 1



STEP 2

**SLOPE TRENCH**  
NOT TO SCALE



**SIDE SEAM OVERLAP  
STAPLE DETAIL**  
NOT TO SCALE

**REFERENCE DRAWINGS:**

1. FOR A COMPLETE DRAWING LIST SEE SHEET H-15061.
2. SEE SHEET H-15063 FOR GENERAL NOTES AND REFERENCES.

RECYCLEX TRM STABILIZATION  
INSTALLATION DETAILS

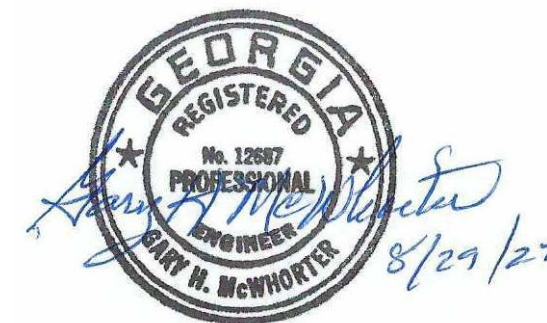
Southern Company Generation  
FOR

**GEORGIA POWER COMPANY**

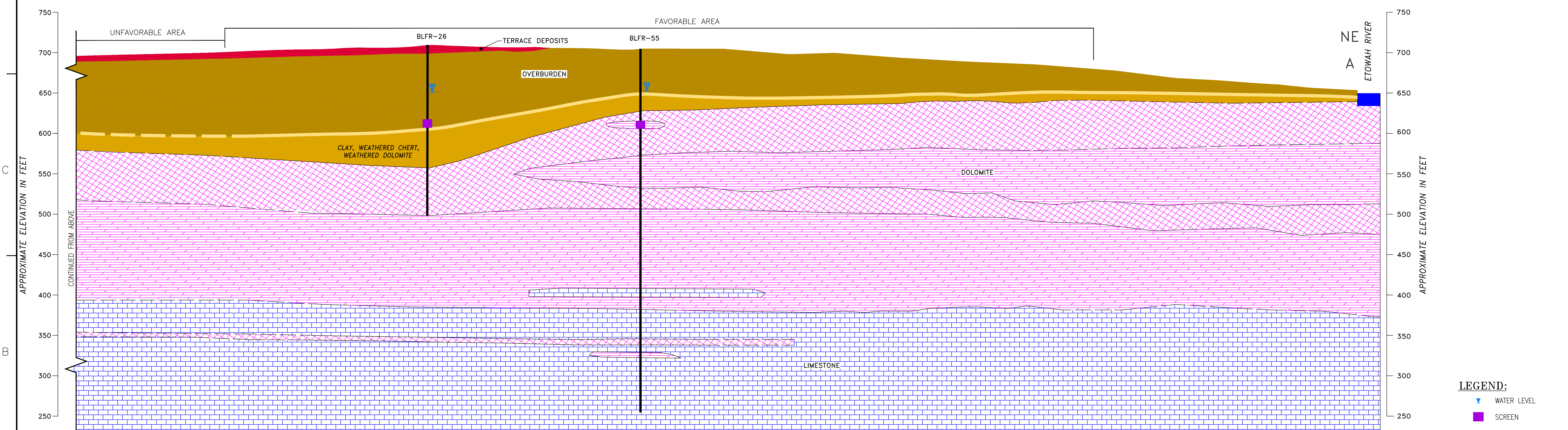
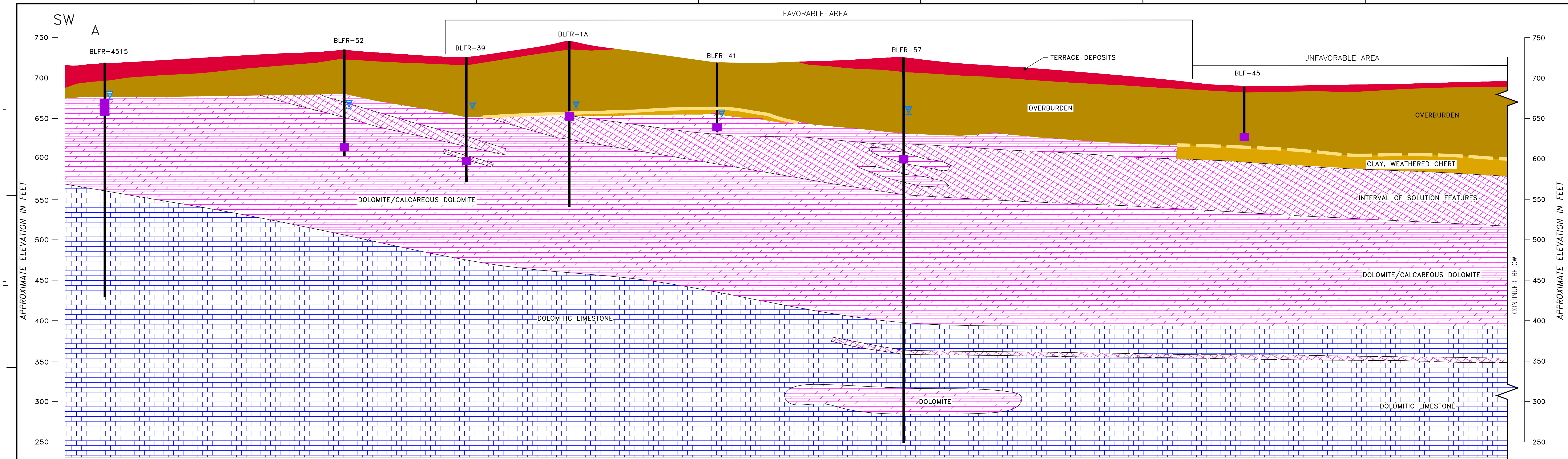
PLANT BOWEN  
CCB DISPOSAL FACILITY  
EROSION CONTROL & SEDIMENT DETAILS  
SHEET 6 OF 6

REVISION	DATE	REVISION	DATE
		0	8/25/2022
ISSUED FOR PERMIT			
BY	CHK'D	CIVIL APPR	ELECT APPR
ANR	RBL		
		I/C APPR	MECH APPR
		MGR APPR	

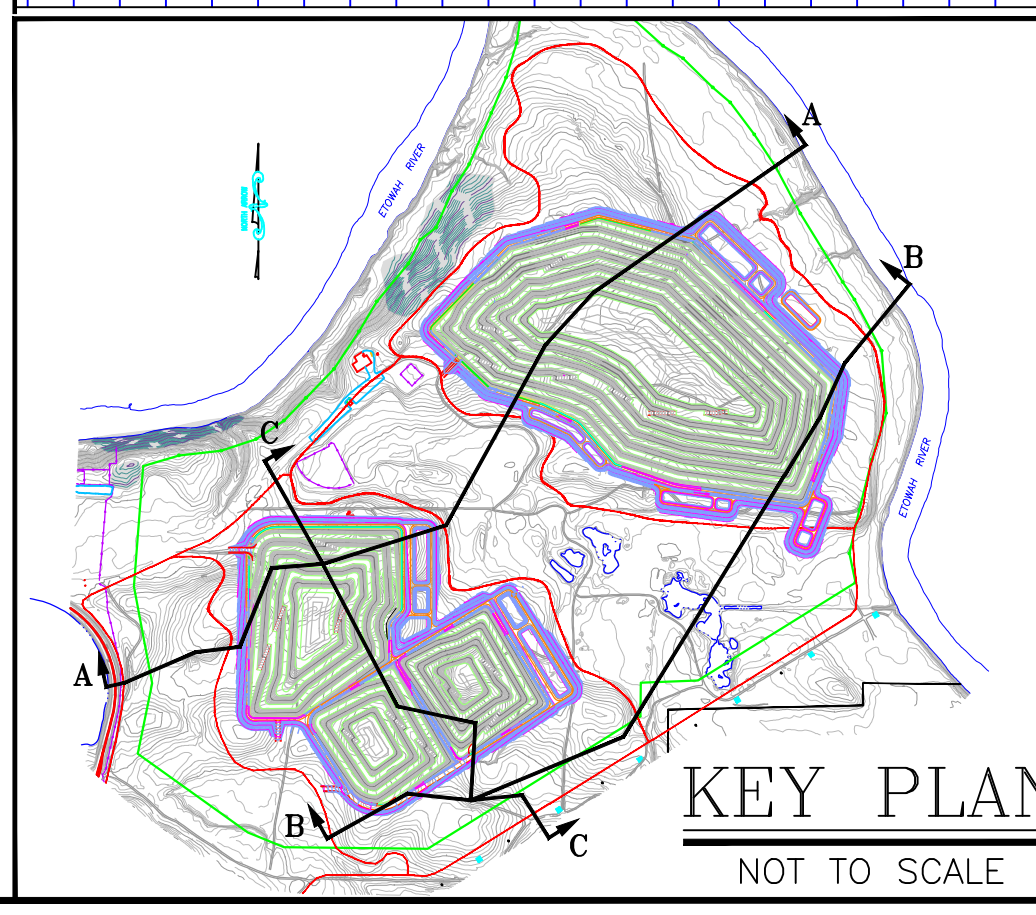
SCALE	PROJ. I.D.	DRAWING NUMBER	SH	CONT'D	REV
NONE	10207	<b>H-15301</b>	1	FINAL	0







**LEGEND:**  
 ▲ WATER LEVEL  
 ■ SCREEN



- NOTES:**
1. WATER LEVELS MEASURED 11/05/03  
RIVER STAGE DATA (11/05/03) FROM ONSITE STAFF GAUGE.
  2. WATER-LEVEL AND RIVER STAGE DATA PROVIDED BY GEORGIA POWER.

**GEOLOGIC CROSS-SECTION A-A**  
 SCALE H: 1"=100' V: 1"=50'

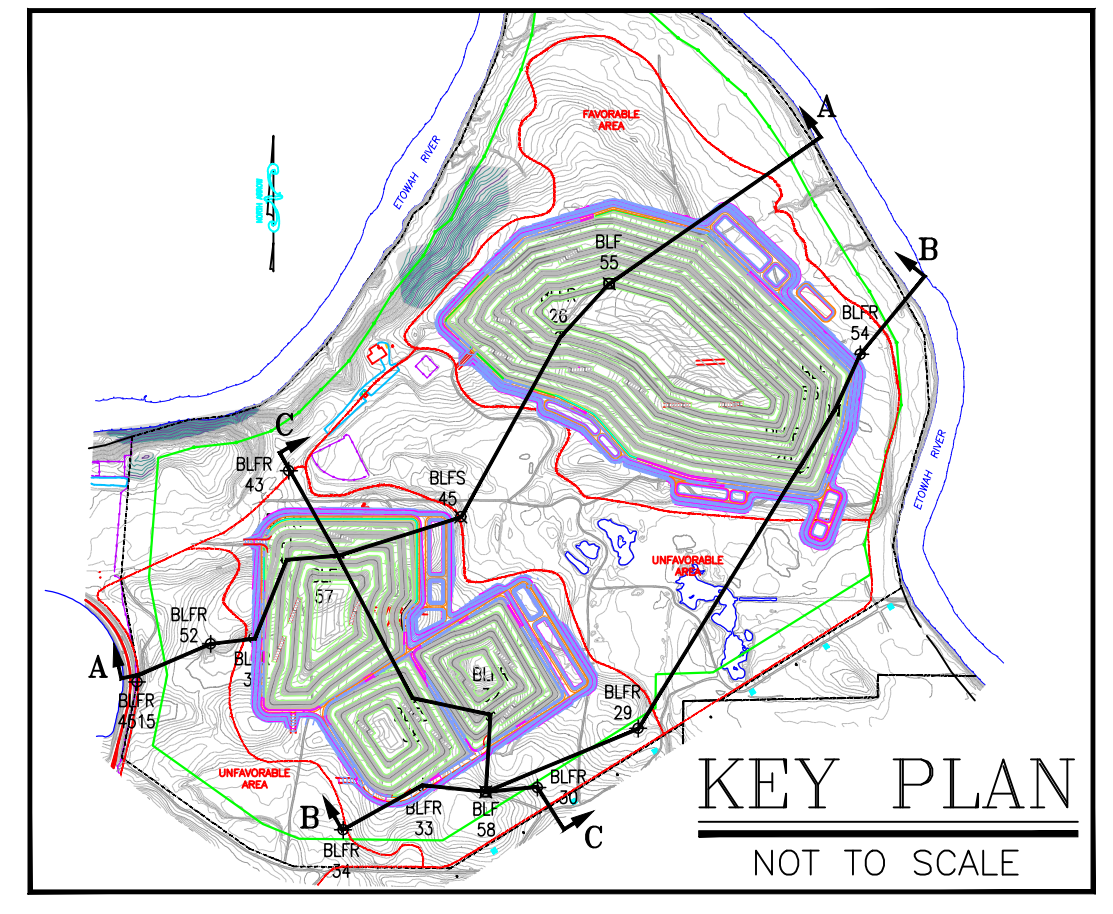
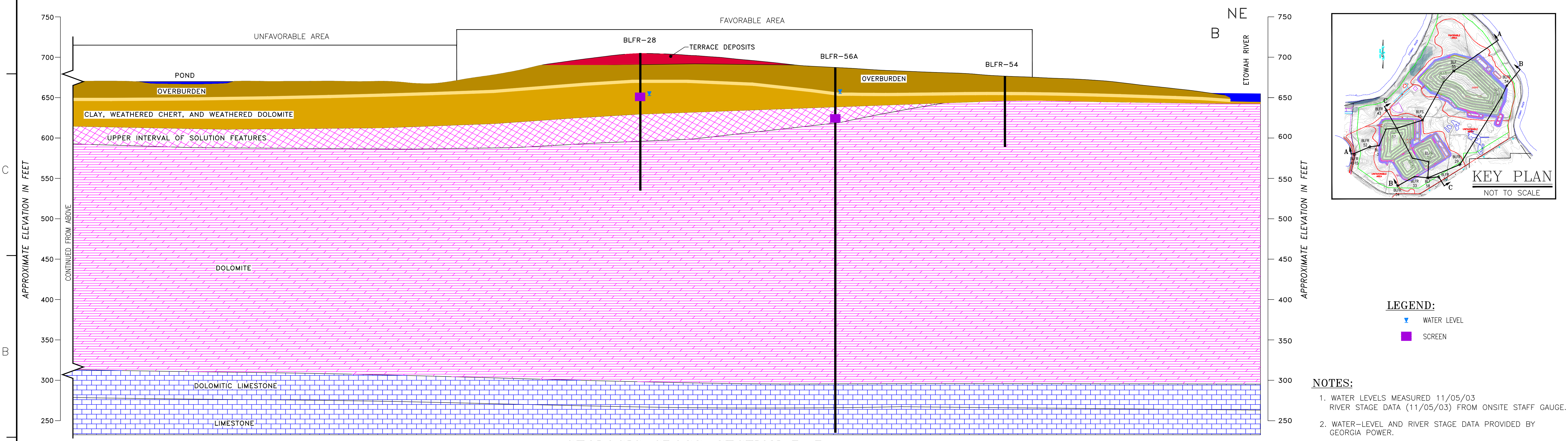
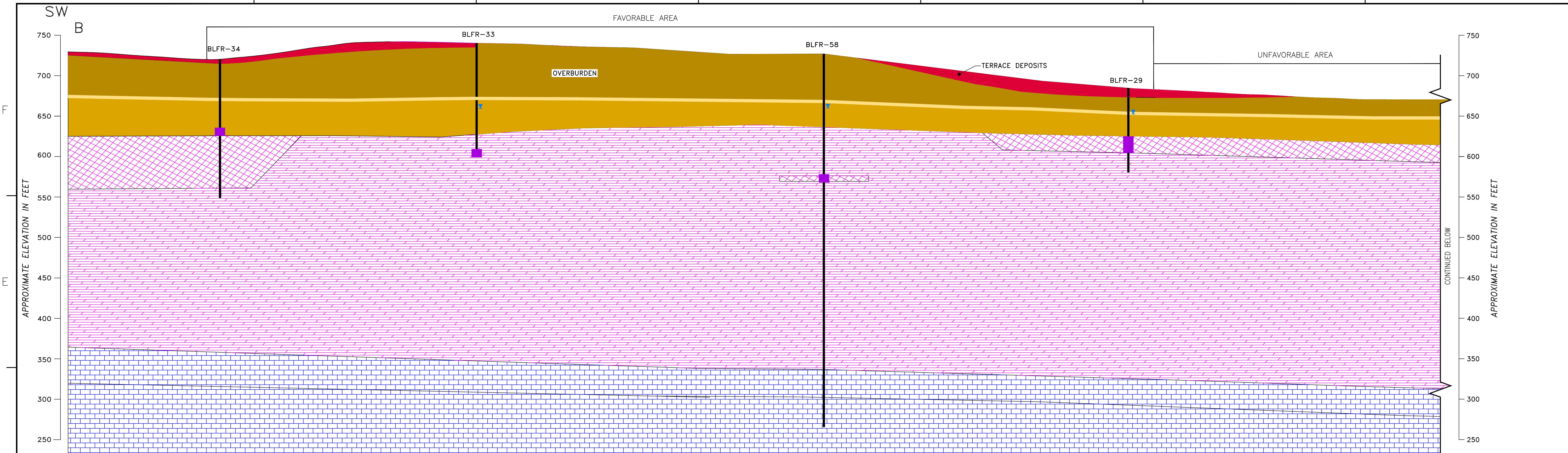
**REFERENCE DRAWINGS:**  
 1. FOR A COMPLETE DRAWING LIST SEE SHEET H-15061.



The information provided on this drawing was originally prepared by qualified groundwater scientists at Southern Company Generation Engineering and Construction Services in June 2006 in support of the Industrial Solid Waste Permit 008-018D(L). All noted submittals were sealed by a professional engineer and professional geologist licensed in the state of Georgia. The information on this sheet is provided for reference only and has not been amended by Hodges, Harbin, Newberry and Tribble, Inc. or Bunnell Lammons Engineering, Inc.

REVISION		DATE		REVISION 0		DATE 8/25/2022		Southern Company Generation FOR											
				ISSUED FOR PERMIT				GEORGIA POWER COMPANY											
								PLANT BOWEN CCB DISPOSAL FACILITY GEOLOGIC CROSS-SECTION A-A											
BY	CHK'D	CIVIL APPR	ELECT APPR	I/C APPR	MECH APPR	MGR APPR	BY	CHK'D	CIVIL APPR	ELECT APPR	I/C APPR	MECH APPR	MGR APPR	SCALE	PROJ. I.D.	DRAWING NUMBER	SH	CONTD	REV
							ANR	RBL						AS SHOWN	10207	<b>H-15307</b>	1	FINAL	0





**LEGEND:**

▼ WATER LEVEL

■ SCREEN

**NOTES:**

1. WATER LEVELS MEASURED 11/05/03  
RIVER STAGE DATA (11/05/03) FROM ONSITE STAFF GAUGE.
2. WATER-LEVEL AND RIVER STAGE DATA PROVIDED BY GEORGIA POWER.

**REFERENCE DRAWINGS:**

1. FOR A COMPLETE DRAWING LIST SEE SHEET H-15061.

**GEOLOGIC CROSS-SECTION B-B**  
SCALE H: 1"=100' V: 1"=50'

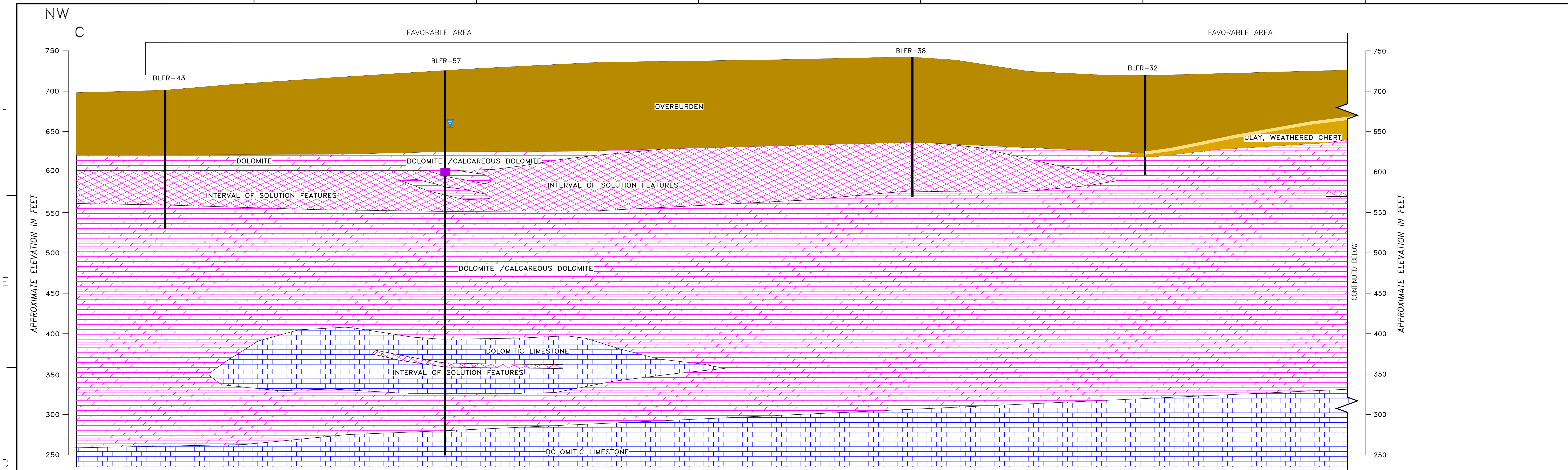


The information provided on this drawing was originally prepared by qualified groundwater scientists at Southern Company Generation Engineering and Construction Services in June 2006 in support of the Industrial Solid Waste Permit 008-018D(L). All noted submittals were sealed by a professional engineer and professional geologist licensed in the state of Georgia. The information on this sheet is provided for reference only and has not been amended by Hodges, Harbin, Newberry and Tribble, Inc. or Bunnell Lammons Engineering, Inc.

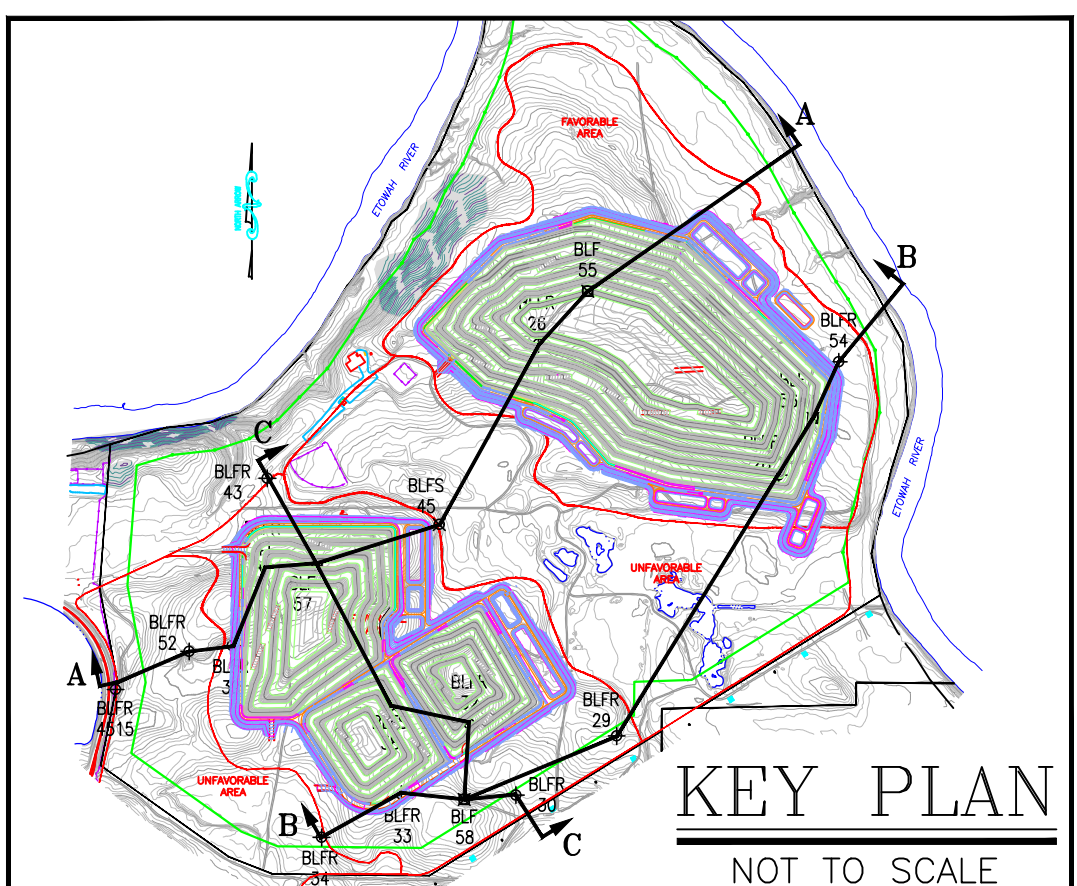
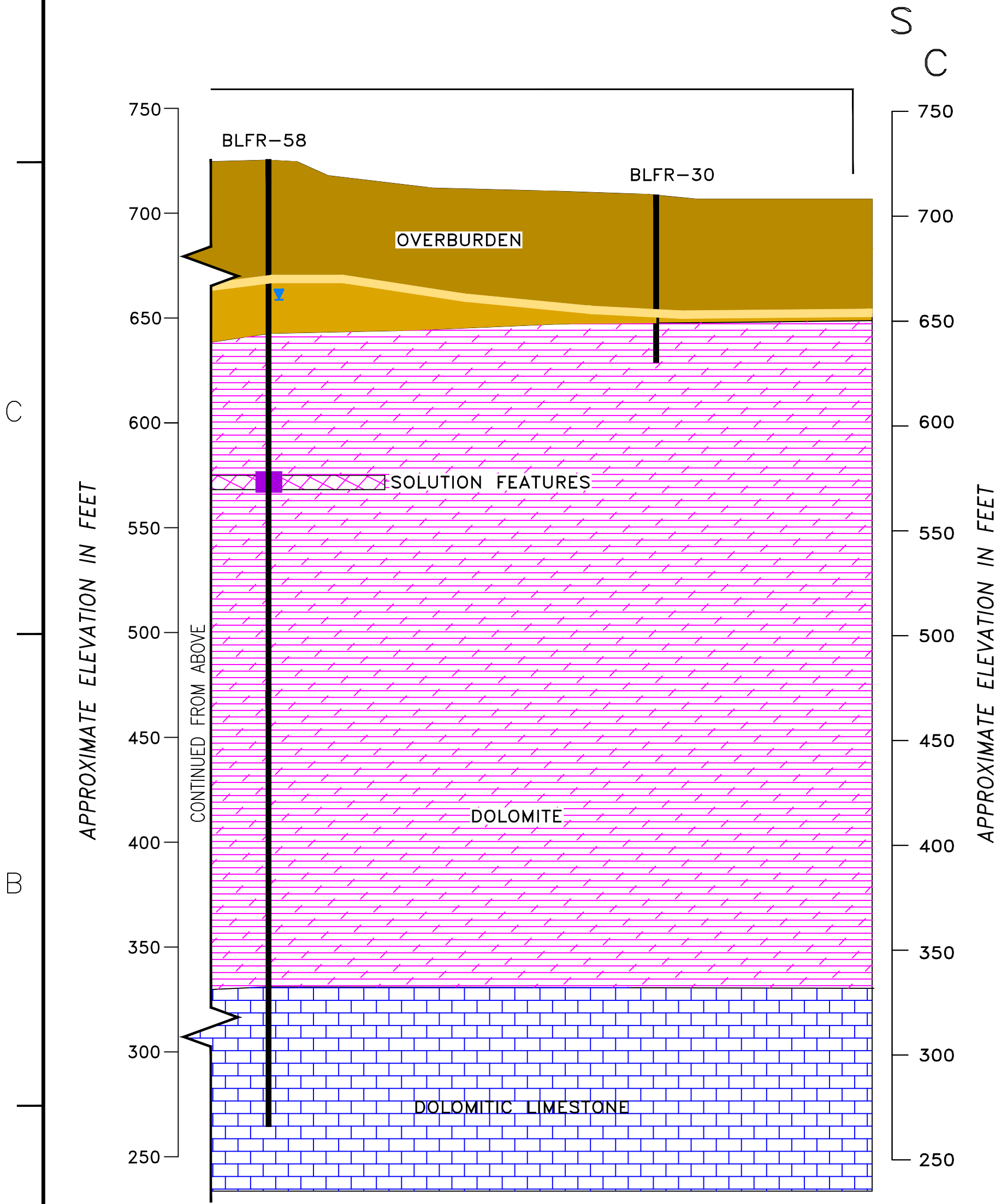


REVISION		DATE		REVISION 0		DATE 8/25/2022		Southern Company Generation FOR <b>GEORGIA POWER COMPANY</b>											
ISSUED FOR PERMIT				PLANT BOWEN CCB DISPOSAL FACILITY GEOLOGIC CROSS-SECTION B-B															
BY	CHK'D	CIVIL APPR	ELECT APPR	I/C APPR	MECH APPR	MGR APPR	BY	CHK'D	CIVIL APPR	ELECT APPR	I/C APPR	MECH APPR	MGR APPR	SCALE	PROJ. I.D.	DRAWING NUMBER	SH	CONTD	REV
							ANR	RBL						AS SHOWN	10207	<b>H-15308</b>	1	FINAL	0





**GEOLOGIC CROSS-SECTION C-C**  
SCALE: H: 1"=100' V: 1"=50'



**LEGEND:**

- ▼ WATER LEVEL
- SCREEN

**NOTES:**

1. WATER LEVELS MEASURED 11/05/03  
RIVER STAGE DATA (11/05/03) FROM ONSITE STAFF GAUGE.
2. WATER-LEVEL AND RIVER STAGE DATA PROVIDED BY GEORGIA POWER.

**REFERENCE DRAWINGS:**

1. FOR A COMPLETE DRAWING LIST SEE SHEET H-15061.

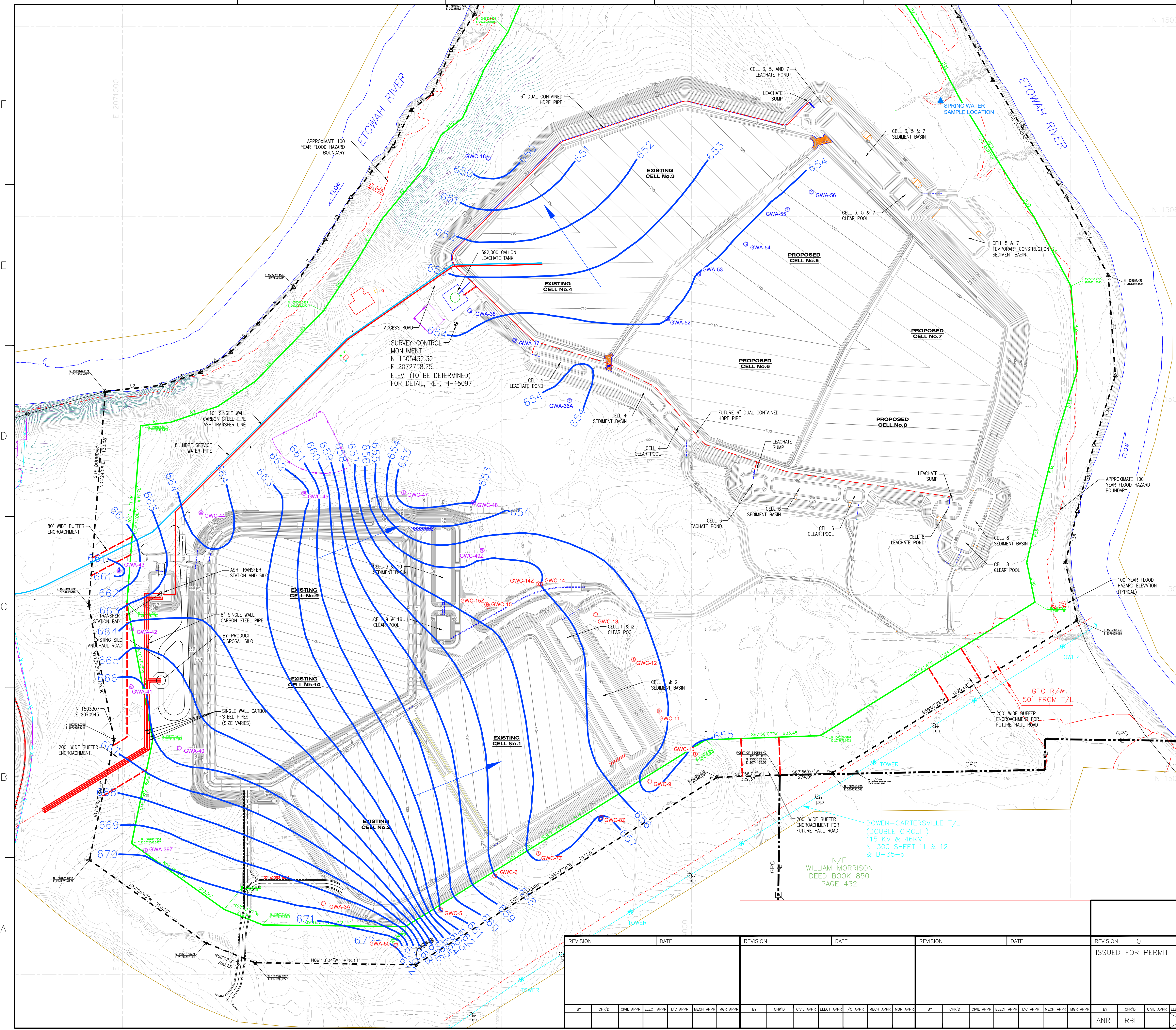


The information provided on this drawing was originally prepared by qualified groundwater scientists at Southern Company Generation Engineering and Construction Services in June 2006 in support of the Industrial Solid Waste Permit 008-018D(L). All noted submittals were sealed by a professional engineer and professional geologist licensed in the state of Georgia. The information on this sheet is provided for reference only and has not been amended by Hodges, Harbin, Newberry and Tribble, Inc. or Bunnell Lammons Engineering, Inc.



REVISION				DATE				REVISION 0				DATE 8/25/2022							
ISSUED FOR PERMIT								Southern Company Generation FOR											
ISSUED FOR PERMIT								<b>GEORGIA POWER COMPANY</b>											
ISSUED FOR PERMIT								PLANT BOWEN CCB DISPOSAL FACILITY GEOLOGIC CROSS-SECTION C-C											
BY	CHK'D	CIVIL APPR	ELECT APPR	I/C APPR	MECH APPR	MGR APPR	BY	CHK'D	CIVIL APPR	ELECT APPR	I/C APPR	MECH APPR	MGR APPR	SCALE	PROJ. I.D.	DRAWING NUMBER	SH	CONTD.	REV
ANR	RBL						ANR	RBL						AS SHOWN	10207	<b>H-15309</b>	1	FINAL	0



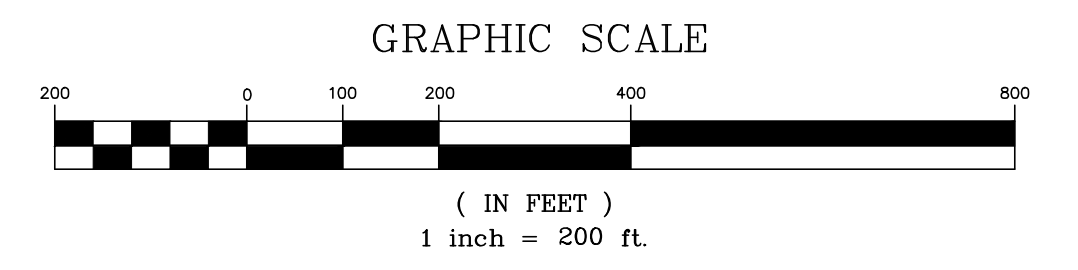


- LEGEND:**
- EXISTING WELLS INSTALLED PRIOR TO CELLS 1 AND 2
  - EXISTING WELLS INSTALLED PRIOR TO CELLS 3 AND 4
  - EXISTING WELLS INSTALLED PRIOR TO CELLS 9 AND 10
  - SITE BOUNDARY
  - 200' BUFFER
  - 50' EXISTING GROUND CONTOURS
  - 50' FINAL GRADE CONTOURS
  - FENCE
  - PROPERTY LINE
  - POTENTIOMETRIC SURFACE
  - GROUNDWATER FLOW DIRECTION

- NOTES:**
1. TOPOGRAPHIC SURVEY COMPLETED MAY 27, 2004.
  2. HORIZONTAL AND VERTICAL CONTROL PROVIDED BY GEORGIA POWER COMPANY LAND DEPARTMENT.
  3. THE 100 YEAR FLOOD HAZARD BOUNDARY AND ELEVATIONS WERE OBTAINED FROM FEMA MAP NO. 13015C0245H, EFFECTIVE DATE, 10-05-2018.
  4. EXISTING WELL LOCATIONS ARE TAKEN FROM A SURVEY COMPLETED BY DONALDSON & GARRETT ASSOCIATES INC., ON MARCH 23, 2021 WITH A HORIZONTAL ACCURACY OF 0.5 FEET REFERENCED TO GEORGIA STATE PLAN COORDINATE SYSTEM (GEORGIA STATE PLANE, WEST ZONE, NAD83).
  5. POTENTIOMETRIC SURFACE HAS BEEN OBTAINED FROM FIGURE A-2 OF THE GROUNDWATER MONITORING PLAN PREPARED BY WOOD, AND IS BASED ON THE JULY 2021 GROUNDWATER SAMPLING EVENT.

I hereby certify that I am a qualified groundwater scientist, in accordance with the Rules of Solid Waste Management, and 40 CFR Part 258.50(g). A qualified groundwater scientist is a scientist or engineer who has received a baccalaureate or post-graduate degree in the natural sciences or engineering and has sufficient training and experience in groundwater hydrology and related fields as may be demonstrated by State registration, professional Certifications, or completion of accredited university programs that enable individuals to make sound professional judgements regarding groundwater monitoring, contaminant fate and transport, and corrective action. I hereby certify that the design of this groundwater monitoring system was developed in accordance with the Rules of Solid Waste Management, Chapter 391-3-4.

Signature: *Rhonda N. Quinn*  
 Date: August 29, 2022



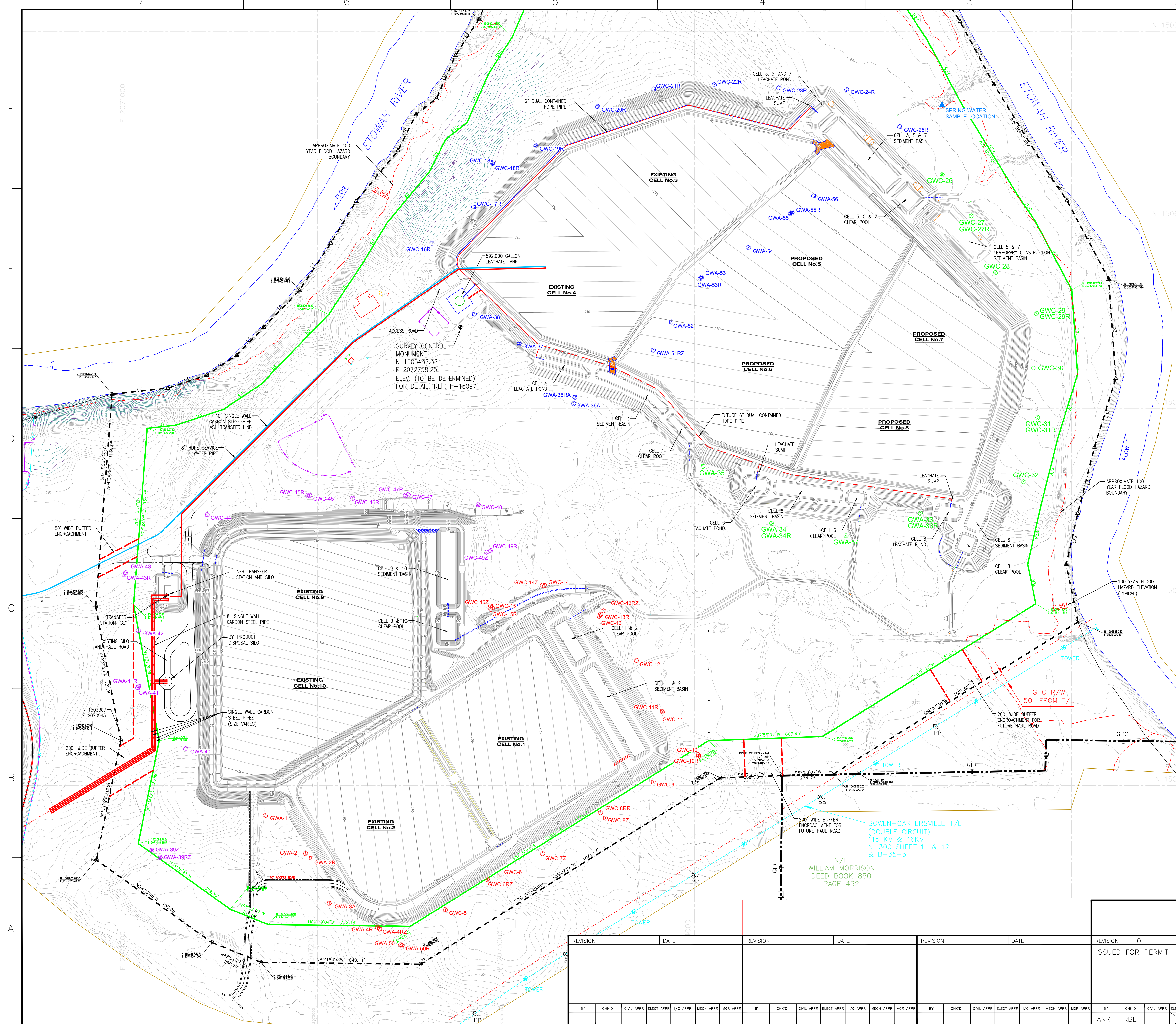
**REFERENCE DRAWINGS:**  
 1. FOR A COMPLETE DRAWING LIST SEE SHEET H-15061.

Southern Company Generation FOR				<b>GEORGIA POWER COMPANY</b>			
ISSUED FOR PERMIT				PLANT BOWEN CCB DISPOSAL FACILITY OVERBURDEN POTENTIOMETRIC SURFACE			
REVISION 0		DATE 8/25/2022		SCALE		PROJ. I.D.	
				1"=200'		10207	
BY ANR		CHK'D RBL		DRAWING NUMBER		<b>H-15310</b>	
				SH		CON'TD	
				1		FINAL	
REVISION		DATE		REVISION		DATE	
BY		CHK'D		BY		CHK'D	
CIVIL APPR		ELECT APPR		CIVIL APPR		ELECT APPR	
I/C APPR		MECH APPR		I/C APPR		MECH APPR	
MGR APPR		MGR APPR		MGR APPR		MGR APPR	







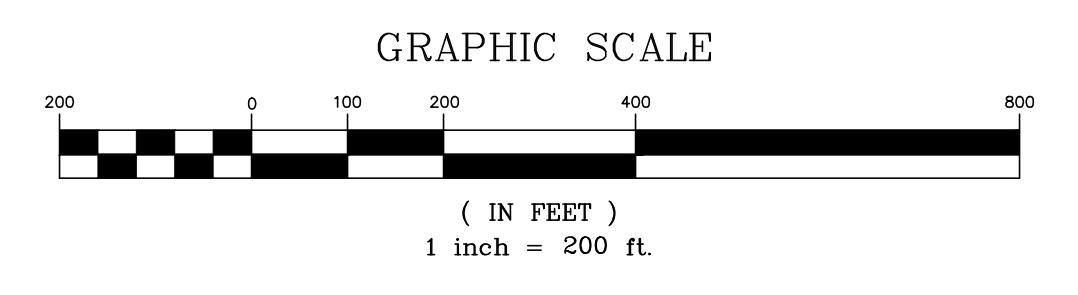


- LEGEND:**
- EXISTING WELLS INSTALLED PRIOR TO CELLS 1 AND 2
  - EXISTING WELLS INSTALLED PRIOR TO CELLS 3 AND 4
  - PROPOSED WELLS TO BE INSTALLED PRIOR TO CELLS 5 THROUGH 8
  - EXISTING WELLS INSTALLED PRIOR TO CELLS 9 AND 10
  - ▲ SPRING WATER SAMPLE LOCATION
  - SITE BOUNDARY
  - 200' BUFFER
  - EXISTING GROUND CONTOURS
  - FINAL GRADE CONTOURS
  - FENCE
  - PROPERTY LINE

- NOTES:**
1. TOPOGRAPHIC SURVEY COMPLETED MAY 27, 2004.
  2. HORIZONTAL AND VERTICAL CONTROL PROVIDED BY GEORGIA POWER COMPANY LAND DEPARTMENT.
  3. THE 100 YEAR FLOOD HAZARD BOUNDARY AND ELEVATIONS WERE OBTAINED FROM FEMA MAP NO. 13015C0245H, EFFECTIVE DATE, 10-05-2018.
  4. EXISTING WELL LOCATIONS ARE TAKEN FROM A SURVEY COMPLETED BY DONALDSON & GARRETT ASSOCIATES INC., ON MARCH 23, 2021 WITH A HORIZONTAL ACCURACY OF 0.5 FEET REFERENCED TO GEORGIA STATE PLAN COORDINATE SYSTEM (GEORGIA STATE PLANE, WEST ZONE, NAD83).

I hereby certify that I am a qualified groundwater scientist, in accordance with the Rules of Solid Waste Management, and 40 CFR Part 258.50(g). A qualified groundwater scientist is a scientist or engineer who has received a baccalaureate or post-graduate degree in the natural sciences or engineering and has sufficient training and experience in groundwater hydrology and related fields as may be demonstrated by State registration, professional Certifications, or completion of accredited university programs that enable individuals to make sound professional judgments regarding groundwater monitoring, contaminant fate and transport, and corrective action. I hereby certify that the design of this groundwater monitoring system was developed in accordance with the Rules of Solid Waste Management, Chapter 391-3-4.

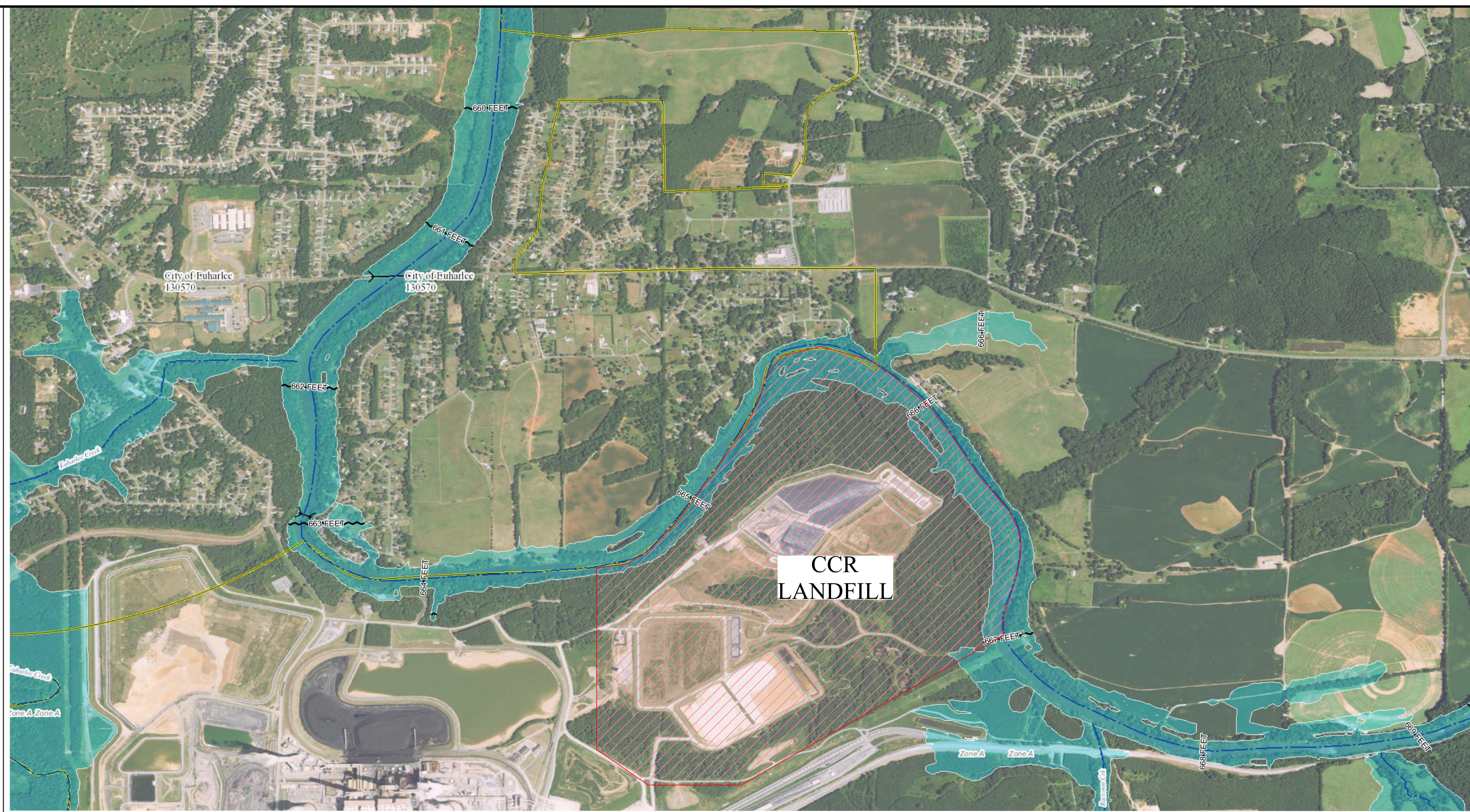
Signature: *Rhonda N. Quinn*  
 Date: August 29, 2022



**REFERENCE DRAWINGS:**  
 1. FOR A COMPLETE DRAWING LIST SEE SHEET H-15061.

REVISION 0												DATE 8/25/2022												ISSUED FOR PERMIT												Southern Company Generation FOR GEORGIA POWER COMPANY																																																																																															
BY												CHK'D												CIVIL APPR												ELECT APPR												MGR APPR												PLANT BOWEN CCB DISPOSAL FACILITY COMPLIANCE NETWORK SHEET																																																																							
BY												CHK'D												CIVIL APPR												ELECT APPR												MGR APPR												SCALE 1"=200'												PROJ. I.D. 10207												DRAWING NUMBER H-15312												SH 1												CONT'D												REV O											





USGS The National Map: Orthoimagery. Data refreshed October 2017.  
34°16.73'N

### FLOOD HAZARD INFORMATION

SEE FIS REPORT FOR DETAILED LEGEND AND INDEX MAP FOR FIRM PANEL LAYOUT

<b>SPECIAL FLOOD HAZARD AREAS</b>	Without Base Flood Elevation (BFE) Zone A, V, A99 With BFE or Depth Zone AE, AO, AH, VE, AR
	Regulatory Floodway
<b>OTHER AREAS OF FLOOD HAZARD</b>	0.2% Annual Chance Flood Hazard, Areas of 1% annual chance flood with average depth less than one foot or with drainage areas of less than one square mile Zone X
	Future Conditions 1% Annual Chance Flood Hazard Zone X
	Area with Reduced Flood Risk due to Levee See Notes, Zone X
	Area with Flood Risk due to Levee Zone D
<b>OTHER AREAS</b>	NO SCREEN Area of Minimal Flood Hazard Zone X
	Effective LOMRs
	Area of Undetermined Flood Hazard Zone D
<b>GENERAL STRUCTURES</b>	Channel, Culvert, or Storm Sewer
	Levee, Dike, or Floodwall
	20.2 Cross Sections with 1% Annual Chance
	17.5 Water Surface Elevation
	Coastal Transect
	Coastal Transect Baseline
	Profile Baseline
	Hydrographic Feature
<b>OTHER FEATURES</b>	Base Flood Elevation Line (BFE)
	Limit of Study
	Jurisdiction Boundary

### NOTES TO USERS

For information and questions about this Flood Insurance Rate Map (FIRM), available products associated with this FIRM, including historic versions, the current map date for each FIRM panel, how to order products, or the National Flood Insurance Program (NFIP) in general, please call the FEMA Map Information eChange at 1-877-FEMA-MAP (1-877-336-2627) or visit the FEMA Flood Map Service Center website at <http://msc.fema.gov>. Available products may include previously issued Letters of Map Change, a Flood Insurance Study Report, and/or digital versions of this map. Many of these products can be ordered or obtained directly from the website.

Communities annexing land on adjacent FIRM panels must obtain a current copy of the adjacent panel as well as the current FIRM index. These may be ordered directly from the Flood Map Service Center at the number listed above.

For community and countywide map dates refer to the Flood Insurance Study Report for this jurisdiction.

To determine if flood insurance is available in this community, contact your insurance agent or call the National Flood Insurance Program at 1-800-638-6620.

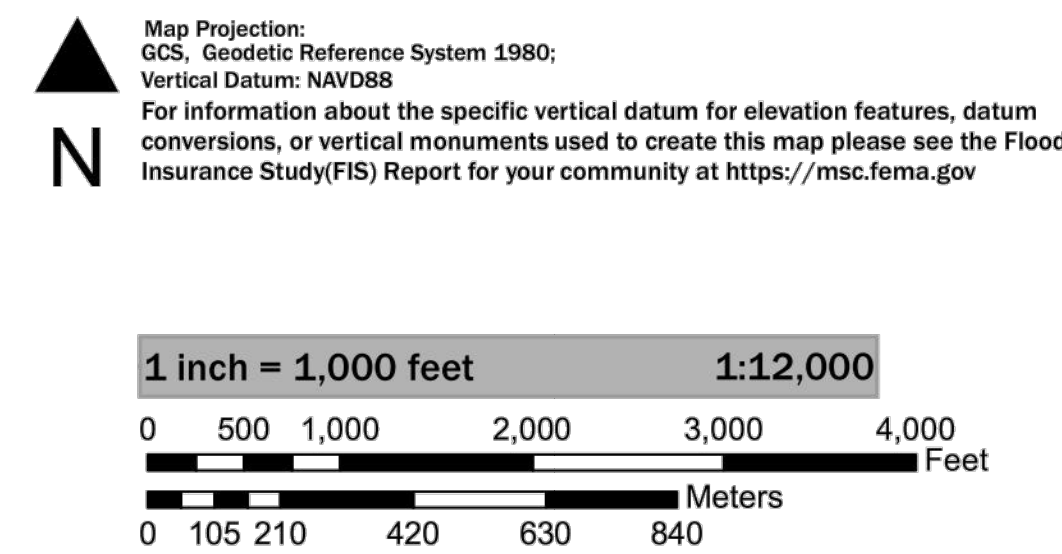
Basemap information shown on this FIRM was provided in digital format by USDA, Farm Service Agency (FSA). This information was derived from NAIP, dated April 11, 2018.

This map was exported from FEMA's National Flood Hazard Layer (NFHL) on 11/15/2018 10:56:38 AM and does not reflect changes or amendments subsequent to this date and time. The NFHL and effective information may change or become superseded by new data over time. For additional information, please see the Flood Hazard Mapping Updates Overview Fact Sheet at <https://www.fema.gov/media-library/assets/documents/118418>

This map complies with FEMA's standards for the use of digital flood maps if it is not void as described below. The basemap shown complies with FEMA's basemap accuracy standards.

This map image is void if the one or more of the following map elements do not appear: basemap imagery, flood zone labels, legend, scale bar, map creation date, community identifiers, FIRM panel number, and FIRM effective date.

### SCALE



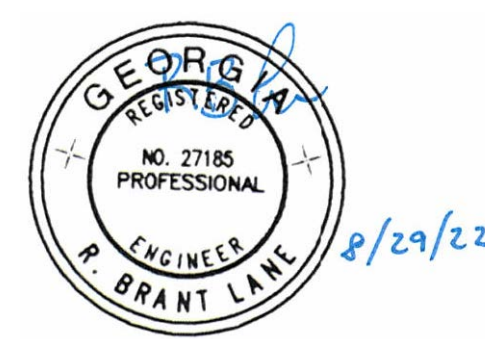
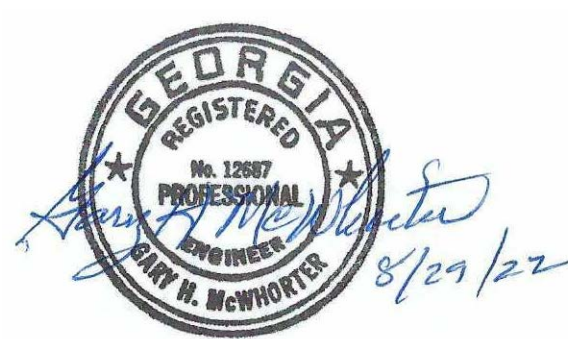
### NATIONAL FLOOD INSURANCE PROGRAM FLOOD INSURANCE RATE MAP

BARTOW\_CO\_GA\_PMR\_FY12, GEORGIA  
AND INCORPORATED AREAS  
PANEL 245 OF 385

Panel Contains:

COMMUNITY	NUMBER	PANEL
CITY OF EUHARLEE	130570	0245
GEORGIA		
BARTOW COUNTY	130463	0245
GEORGIA		

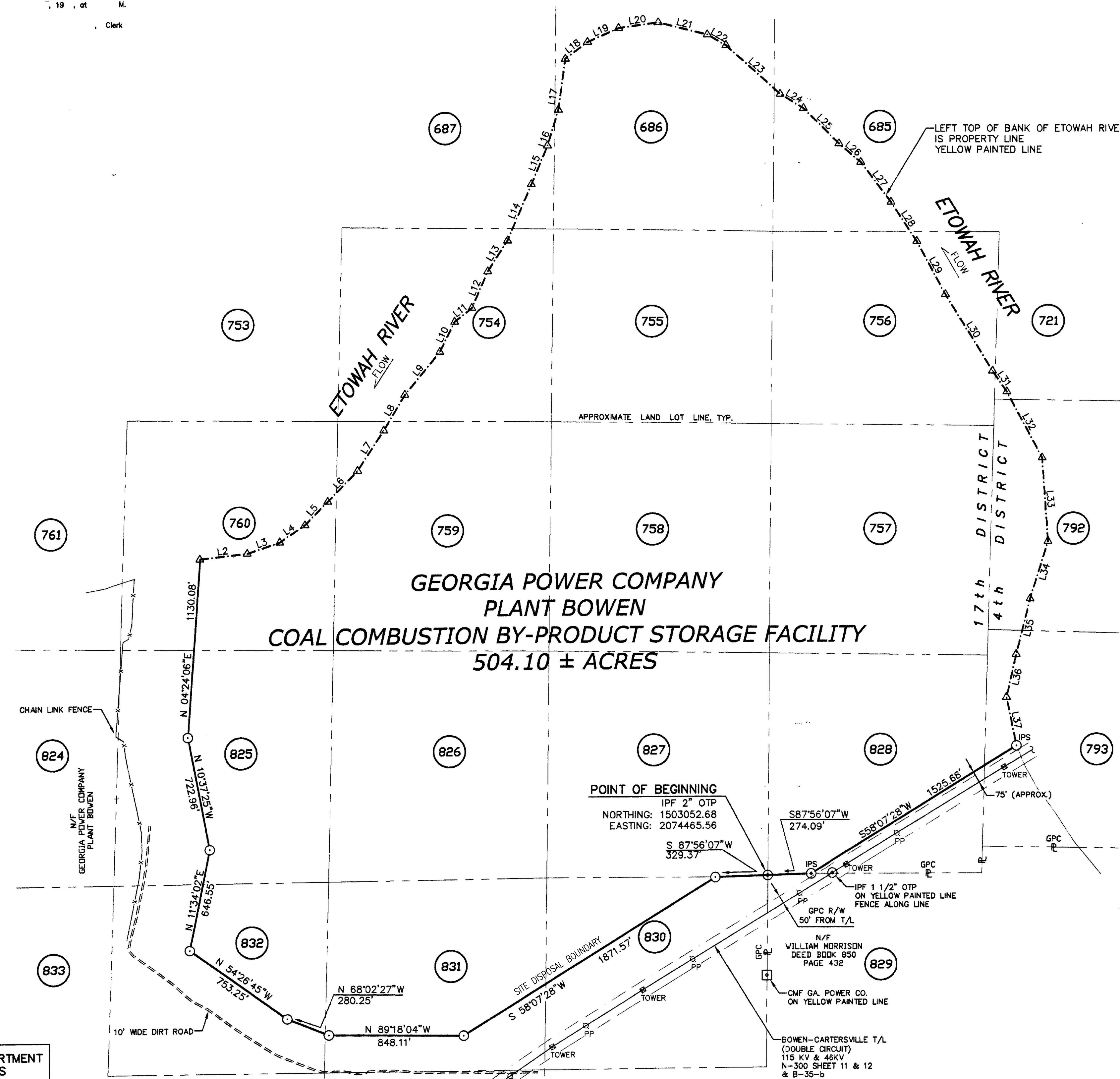
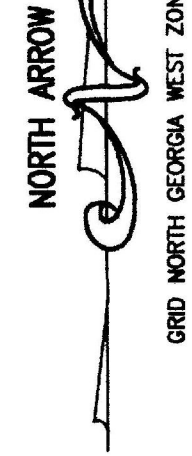
MAP NUMBER  
13015C0245H  
EFFECTIVE DATE  
10/05/2018



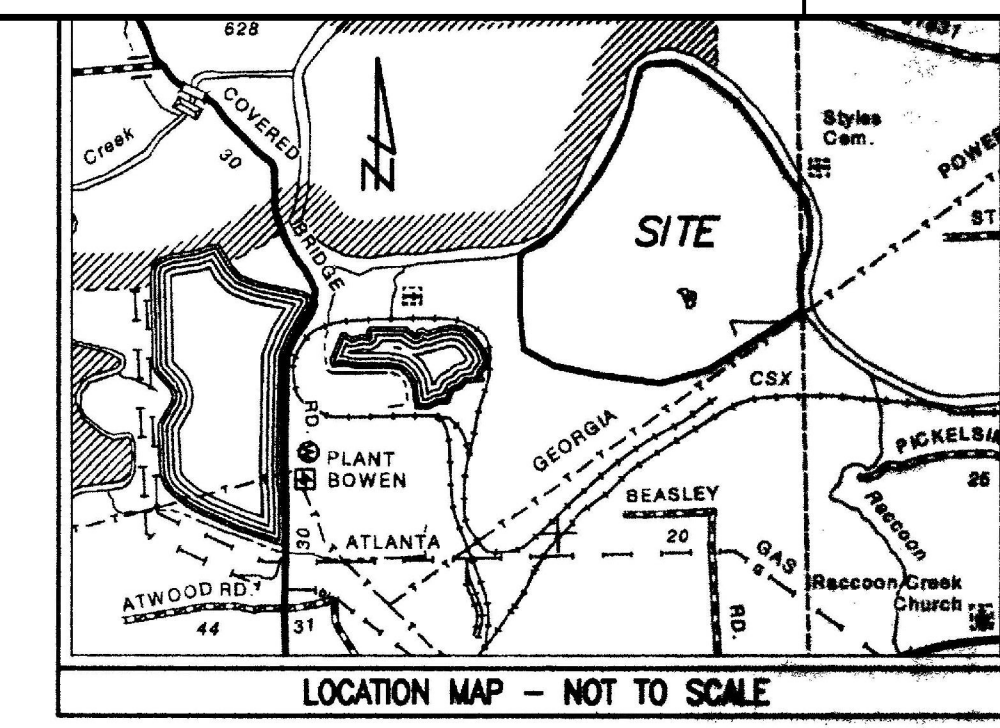
REVISION				DATE				REVISION 0				DATE 8/25/2022			
ISSUED FOR PERMIT								Southern Company Generation FOR <b>GEORGIA POWER COMPANY</b> PLANT BOWEN CCB DISPOSAL FACILITY FLOOD ZONE MAP							
BY	CHKD	CIVIL APPR	ELECT APPR	EC APPR	MECH APPR	MGR APPR	SCALE	PROJ ID	DRAWING NUMBER	SHT	CONTD	REV			
ANR	RBL						1" = 1000'	10207	<b>H-15313</b>	1	FINAL	0			



Filed and Recorded in Plat Book \_\_\_\_\_, Page \_\_\_\_\_, at \_\_\_\_\_, 19\_\_\_\_, at \_\_\_\_\_, Clerk.



Course	Bearing	Distance
(L1 HAS BEEN DELETED)		
L2	N 83°45'43"E	297.92'
L3	N71°34'28"E	217.50'
L4	N56°17'48"E	191.67'
L5	N43°55'05"E	205.91'
L6	N44°11'48"E	271.01'
L7	N33°59'01"E	301.34'
L8	N31°01'57"E	260.68'
L9	N39°38'03"E	347.99'
L10	N26°38'48"E	213.50'
L11	N51°50'56"E	137.60'
L12	N23°54'26"E	251.33'
L13	N32°47'25"E	229.48'
L14	N23°15'10"E	384.59'
L15	N22°45'08"E	263.63'
L16	N20°42'42"E	65.34'
L17	N10°37'35"E	491.41'
L18	N52°20'51"E	172.35'
L19	N65°25'25"E	210.19'
L20	N82°08'45"E	249.90'
L21	S75°36'29"E	311.70'
L22	S59°34'46"E	132.57'
L23	S47°28'17"E	452.84'
L24	S58°24'52"E	170.98'
L25	S45°26'46"E	316.89'
L26	S49°13'43"E	181.40'
L27	S36°59'45"E	314.99'
L28	S33°08'44"E	296.76'
L29	S28°14'14"E	380.10'
L30	S31°17'27"E	568.21'
L31	S34°26'16"E	159.00'
L32	S28°03'05"E	471.04'
L33	S04°00'18"E	529.29'
L34	S17°12'34"W	382.01'
L35	S14°07'27"W	360.99'
L36	S12°45'58"W	278.11'
L37	S11°34'49"E	311.31'



**MONUMENTATION LEGEND**

- Depicts Iron Pin Set
- ⊙ Depicts Iron Pin Found
- ⊠ Depicts Monument Set
- ⊡ Depicts Monument Found
- △ Depicts Unmonumented Point on Top of Bank

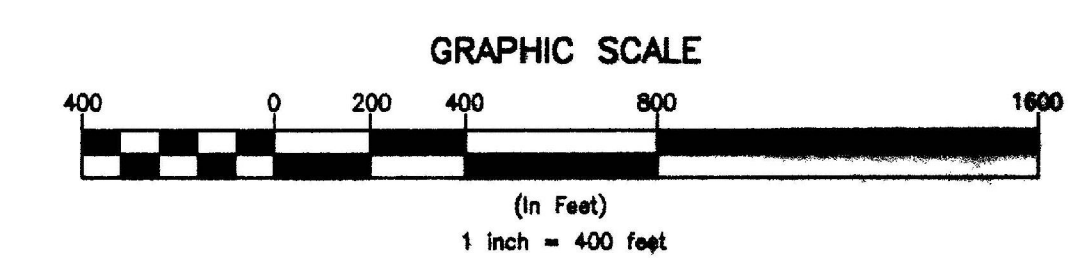
**PLAT ABBREVIATIONS**

- IPF - Iron Pin Found
- IPF - 1/2" Rebar Set
- CMF - Concrete Monument Found
- FPS - Fence Post Set
- OTF - Open Top Pipe
- CIP - Crimp Top Pipe
- Conc. - Concrete
- Alum. - Aluminum
- P/L - Property Line
- R/W - Right of Way
- C/L - Centerline
- F/L - Fenceline
- T/L - Transmission Line
- N/F - Now or Formerly
- DB - Dead Book
- PB - Plot Book
- MF - Map File No.
- GPC - Georgia Power Company

**UTILITY LEGEND**

- TOWER - Powerline Tower
- PP - Power Pole
- 832 - Land Lot Number

**REFERENCE:**  
1. COMPOSITE MAP OF PLANT BOWEN SITE LAND DEPARTMENT MAP FILE NO. E-1-a.



**CONTROL FROM GPC LAND DEPARTMENT STATE PLANE COORDINATES GEORGIA WEST ZONE N.A.D. 83**

NC-5 = GPC-008-037  
NORTHING: 1503911.29  
EASTING: 2068682.49  
NC-6 = GPC-008-036  
NORTHING: 1502934.49  
EASTING: 2069015.04

**SURVEY CLOSURE STATEMENT**

The Field Data upon which this plat is based has a closure precision of one foot in 27,000 feet, and an angular error of 0.25 SECONDS per angle point, and was adjusted using LEAST SQUARES rule.

This plat has been calculated for closure and is found to be accurate within one foot in 800,000 feet.

Linear Measurement obtained using TOPCON 313  
Angular Measurement obtained using TOPCON 313  
Field Work completed APRIL 30, 2003

**\*\*GENERAL NOTES\*\***

- FIELD CLOSURE: A TOPCON 313 ELECTRONIC TOTAL STATION WAS USED TO GATHER THE INFORMATION USED IN THE PREPARATION OF THIS PLAT. THE ANGULAR ERROR FOR THIS TRAVERSE WAS 0.5 SECONDS PER ANGLE POINT AND THE CLOSURE PRECISION WAS 1" IN 27,000' AND WAS ADJUSTED USING LEAST SQUARES RULE.
- PLAT CLOSURE: THIS PLAT HAS BEEN CALCULATED FOR CLOSURE AND HAS BEEN FOUND TO HAVE A PRECISION OF CLOSURE IN EXCESS OF 1" IN 800,000 FEET.
- STATE PLANE COORDINATES FROM CONTROL FURNISHED BY GEORGIA POWER COMPANY LAND DEPARTMENT.
- INFORMATION REGARDING THE REPUTED PRESENCE, SIZE, CHARACTER, AND LOCATION OF EXISTING UNDERGROUND UTILITIES AND STRUCTURES SHOWN HEREON MAY BE INACCURATE. UTILITY LOCATION SERVICES SHOULD BE CONTACTED BEFORE ANY EXCAVATION.
- RIGHT-OF-WAYS ARE BASED ON CENTERLINES OF EXISTING PATHS OF TRAVEL, UNLESS NOTED OTHERWISE.
- ALL MATTERS PERTAINING TO TITLE ARE EXCEPTED.

SURVEY FOR:  
GEORGIA POWER COMPANY, ATLANTA, GA.  
LAND DEPARTMENT  
LOCATED IN THE FOLLOWING LAND LOTS IN THE 17th DISTRICT:  
685, 686, 687, 754, 755, 756, 757, 758, 759, 760, 825,  
826, 827, 828, 830, 831, 832  
AND THE FOLLOWING LAND LOTS IN THE 4th DISTRICT:  
721, 792, 793  
IN THE 3rd SECTION  
BARTOW COUNTY, GEORGIA  
DATE OF SURVEY: APRIL 22-30, 2003  
DATE OF PLAT: MAY 1, 2003  
DATE OF REVISION 1: APRIL 7, 2005  
BY:  
**RHODES ENGINEERING SERVICES, INC.**  
645 HENDERSON DRIVE, SUITE 2  
CARTERSVILLE, GEORGIA 30120  
PHONE: (770)386-7616, FAX: (770)386-7617  
E-MAIL ADDRESS: rhodeseng@yahoo.com



GEORGIA POWER CO., ATLANTA, GA.  
Land Department  
PLANT BOWEN  
COAL COMBUSTION BY-PRODUCT STORAGE FACILITY  
PROPERTY PLAT  
BARTOW COUNTY, GEORGIA

DATE: APRIL 27, 2005  
SCALE: 1" = 400'  
DATE: MAY 1, 2003  
DRAWING NUMBER: H-690-6 - .10

Exhibit "A"  
All that parcel of land lying and being in Bartow County, Georgia in Land Lots 685, 686, 687, 754, 755, 756, 757, 758, 759, 760, 825, 826, 827, 828, 830, 831 and 832 of the 17th District and Land Lots 721, 792, and 793 of the 4th District - 3rd Section containing 504.10 acres, more or less and being more particularly described as follows:

Beginning at a 2" open top pipe at the Land Lot corner common to Land Lots 827, 828, 829 and 830 and from said POINT OF BEGINNING thence, south 87° 56' 07" west for a distance of 329.37 feet to an iron pin. Thence south 58° 07' 28" west for a distance of 1871.57 feet to an iron pin. Thence north 89° 18' 04" west for a distance of 848.11 feet to an iron pin. Thence, north 68° 02' 27" west for a distance of 280.25 feet to an iron pin. Thence, north 54° 26' 45" west for a distance of 753.25 feet to an iron pin. Thence, north 11° 34' 02" east for a distance of 646.55 feet to an iron pin. Thence, north 10° 37' 25" west for a distance of 722.96 feet to an iron pin. Thence, north 04° 24' 06" east for a distance of 1130.08 feet to a point on a line at the top bank of the Etowah River. Thence running along the top bank of the Etowah River the following courses and distances:  
north 83° 45' 43" east for a distance of 297.92 feet, north 71° 34' 28" east for a distance of 217.50 feet, north 56° 17' 48" east for a distance of 191.67 feet, north 43° 55' 05" east for a distance of 205.90 feet, north 44° 11' 48" east for a distance of 271.01 feet, north 33° 59' 01" east for a distance of 301.34 feet, north 31° 01' 57" east for a distance of 260.68 feet, north 39° 38' 03" east for a distance of 347.99 feet, north 26° 38' 48" east for a distance of 213.50 feet, north 51° 50' 56" east for a distance of 137.60 feet, north 23° 54' 26" east for a distance of 251.33 feet, north 32° 47' 25" east for a distance of 229.48 feet, north 23° 15' 10" east for a distance of 384.59 feet, north 22° 45' 08" east for a distance of 263.63 feet, north 20° 42' 42" east for a distance of 65.34 feet, north 10° 37' 35" east for a distance of 491.41 feet, north 52° 20' 51" east for a distance of 172.35 feet, north 65° 25' 25" east for a distance of 210.19 feet, north 82° 08' 45" east for a distance of 249.90 feet, south 75° 36' 29" east for a distance of 311.70 feet, south 59° 34' 46" east for a distance of 132.57 feet, south 47° 28' 17" east for a distance of 452.84 feet, south 58° 24' 52" east for a distance of 170.98 feet, south 45° 26' 46" east for a distance of 316.89 feet, south 49° 13' 43" east for a distance of 181.40 feet, south 36° 59' 45" east for a distance of 314.99 feet, south 33° 08' 44" east for a distance of 296.76 feet, south 28° 14' 14" east for a distance of 380.10 feet, south 31° 17' 27" east for a distance of 568.21 feet, south 34° 26' 16" east for a distance of 159.00 feet, south 28° 03' 05" east for a distance of 471.04 feet, south 04° 00' 18" east for a distance of 529.29 feet, south 17° 12' 34" west for a distance of 382.01 feet, south 14° 07' 27" west for a distance of 360.99 feet, south 12° 45' 58" west for a distance of 278.11 feet, south 11° 34' 49" east for a distance of 311.31 feet to an iron pin. Thence from said pin, south 58° 07' 28" west for a distance of 1525.68 feet to an iron pin. Thence south 87° 56' 07" west a distance of 274.09 feet to the POINT OF BEGINNING.

THIS DRAWING WAS COMPILED FROM INFORMATION PROVIDED BY THE LAND ENGINEERING DEPARTMENT OF GEORGIA POWER COMPANY.

REVISION	DATE	REVISION	DATE	Southern Company Generation FOR								
		0	8/25/2022	<b>GEORGIA POWER COMPANY</b> PLANT BOWEN CCB DISPOSAL FACILITY SITE DISPOSAL BOUNDARY, PROPERTY PLAT AND LEGAL DESCRIPTION								
		ISSUED FOR PERMIT										
BY	CHK'D	CIVIL APPR	ELECT APPR	I/C APPR	MECH APPR	MGR APPR	SCALE	PROJ. I.D.	DRAWING NUMBER	SH	CONTD.	REV
	ANR	RBL					AS SHOWN	10207	<b>H-15314</b>	1	FINAL	0



CELL 1			
Drain #	Northing	Eastng	Inlet Elev.
LP101	1502657	2072978	723.2
LP102	1503561	2073248	723.1
LP103	1503107	2073503	722.6
LP104	1502902	2073234	723.0
LP105	1502711	2072987	722.0
LP106	1503387	2072589	742.3
LP107	1503614	2073104	743.1
LP108	1503344	2073270	742.9
LP109	1503093	2073344	743.6
LP110	1502857	2073020	742.6
LP111	1503449	2072952	762.8
LP112	1503169	2073246	762.7
LP113	1502957	2072982	763.2
LP114	1503264	2072773	782.8
LP115	1503282	2073063	783.6
LP116	1503264	2072773	783.4
LP117	1503282	2073063	803.0
LP118	1503205	2072985	803.5
LP119	1503051	2072827	803.4
High Points	Northing	Eastng	Elev
HP101	1503558	2072788	724.0
HP102	1503734	2073141	724.0
HP103	1503380	2073353	724.0
HP104	1503020	2073396	724.0
HP105	1502787	2073076	724.0
HP106	1503355	2072528	744.0
HP107	1503536	2072930	744.0
HP108	1503491	2073185	744.0
HP109	1503133	2073385	744.0
HP110	1503040	2073271	744.0
HP111	1503061	2073249	744.0
HP112	1503355	2072722	764.0
HP113	1503430	2073120	764.0
HP114	1503411	2073098	764.0
HP115	1503025	2073046	764.0
HP116	1503366	2073008	784.0
HP117	1503190	2073108	784.0
HP118	1502990	2072894	784.0
HP119	1503148	2072777	804.0
HP120	1503243	2072982	804.0
HP121	1503132	2072887	804.0

CELL 2			
Drain #	Northing	Eastng	Inlet Elev.
LP201	1503307	2072437	742.3
LP202	1503536	2072630	742.1
LP203	1503703	2072859	743.4
LP204	1503266	2072553	763.1
LP205	1503146	2072322	762.8
LP206	1502968	2071946	762.9
LP207	1502570	2072195	762.9
LP208	1502532	2072471	763.5
LP209	1502697	2072699	763.3
LP210	1503123	2072473	782.8
LP211	1502978	2072129	783.5
LP212	1502815	2072139	783.5
LP213	1502574	2072363	783.0
LP214	1502678	2072519	783.3
LP215	1502888	2072757	783.1
LP216	1503094	2072673	803.2
LP217	1502927	2072292	802.8
LP218	1502760	2072285	803.6
LP219	1502703	2072400	802.6
High Point	Northing	Eastng	Elev
HP201	1503138	2072112	744.0
HP202	1503202	2072429	764.0
HP203	1502470	2072192	744.0
HP204	1503625	2072752	744.0
HP205	1502758	2071884	744.0
HP206	1502057	2072087	764.0
HP207	1502764	2072066	764.0
HP208	1502484	2072375	764.0
HP209	1502605	2072571	764.0
HP210	1502799	2072803	764.0
HP211	1503152	2072529	784.0
HP210A	1503131	2072550	784.0
HP211	1502241	2073002	784.0
HP212	1502891	2072089	784.0
HP213	1502716	2072205	784.0
HP214	1502631	2072454	784.0
HP215	1503769	2072644	784.0
HP216	1503045	2072519	804.0
HP217	1502678	2072348	804.0
HP218	1502897	2072618	804.0
HP219	1502878	2072641	804.0
HP220	1502973	2072192	804.0

CELL 3			
Drain #	Northing	Eastng	Inlet Elev.
LP301 (T)	1506124	2074344	709.2
LP301A (T)	1506283	2074509	709.4
LP302	1506412	2074492	709.2
LP302A	1506525	2074107	708.5
LP303	1506439	2073675	725.2
LP304	1506368	2073411	725.3
LP305	1506226	2073202	725.1
LP308 (T)	1505802	2073937	725.3
LP308A (T)	1505968	2074111	725.5
LP309 (T)	1506129	2074236	725.5
LP309A (T)	1506265	2074378	725.3
LP310	1506381	2074317	725.0
LP311	1506486	2073961	725.1
LP312	1506226	2073335	745.0
LP315 (T)	1505952	2073920	744.8
LP316	1506352	2074100	745.2
LP317	1506392	2073845	745.4
LP318	1506317	2073564	745.1
LP319 (T)	1506229	2074211	745.2
LP320 (T)	1506250	2074080	765.4
LP321	1506263	2073830	764.7
LP323	1506186	2073425	765.3
LP324 (T)	1506084	2073928	765.2
High Point	Northing	Eastng	Elev
HP301	1506529	2073825	710.0
HP302	1506457	2074339	710.0
HP303 (T)	1506373	2074582	710.0
HP304 (T)	1506209	2074432	710.0
HP305 (T)	1506010	2074227	710.0
HP306 (T)	1505901	2074041	726.0
HP311	1506138	2073105	726.0
HP312	1506347	2073337	726.0
HP313	1506404	2073543	726.0
HP314	1506481	2073831	726.0
HP315	1506437	2074127	726.0
HP316 (T)	1506336	2074429	726.0
HP317 (T)	1506162	2074271	726.0
HP318 (T)	1506041	2074188	726.0
HP319 (T)	1506100	2074119	746.0
HP320 (T)	1506290	2074255	746.0
HP321	1506392	2073961	746.0
HP322	1506360	2073725	746.0
HP323	1506266	2073382	746.0
HP327 (T)	1506118	2074095	746.0
HP328 (T)	1506179	2074025	766.0
HP329	1506298	2073961	766.0
HP330	1506195	2073574	766.0
HP331	1506222	2073562	766.0

CELL 4			
Drain #	Northing	Eastng	Inlet Elev.
LP401	1506151	2073756	785.0
LP402	1506037	2073396	785.0
LP403	1505866	2073183	785.1
LP404	1505658	2073370	785.3
LP405 (T)	1505776	2073520	785.1
LP406 (T)	1506009	2073718	785.1
LP407	1506014	2073192	765.2
LP408	1505803	2073034	765.5
LP409	1505723	2073160	765.0
LP410 (T)	1505535	2073445	744.8
LP411 (T)	1505870	2073704	745.1
LP412	1505996	2073045	744.8
LP413	1505689	2073018	744.5
LP414	1505451	2073381	744.8
LP415 (T)	1505584	2073639	744.6
LP416	1505783	2072787	724.8
LP417	1505561	2073025	725.6
LP418	1505410	2073197	725.0
LP419 (T)	1505345	2073569	724.9
LP420 (T)	1505657	2073807	725.2
High Point	Northing	Eastng	Elev
HP401 (T)	1506144	2073837	786.0
HP402	1506100	2073565	786.0
HP403	1505937	2073243	786.0
HP404	1505771	2073282	786.0
HP405	1505742	2073275	786.0
HP406	1505639	2073409	786.0
HP407 (T)	1505880	2073329	786.0
HP408	1506099	2073329	766.0
HP409	1505696	2073079	766.0
HP410	1505765	2073067	766.0
HP411	1505588	2073313	766.0
HP412 (T)	1505716	2073590	766.0
HP413 (T)	1505701	2073617	766.0
HP414 (T)	1505942	2073779	766.0
HP415	1506089	2073142	746.0
HP416	1505966	2072937	726.0
HP417	1505792	2072914	746.0
HP418	1505516	2073258	746.0
HP419	1505491	2073243	746.0
HP420 (T)	1505496	2073571	746.0
HP421 (T)	1505820	2073781	746.0
HP422	1505617	2072962	726.0
HP423	1505546	2073042	726.0
HP424	1505363	2073364	726.0
HP425 (T)	1505527	2073710	726.0
HP426 (T)	1505744	2073873	726.0

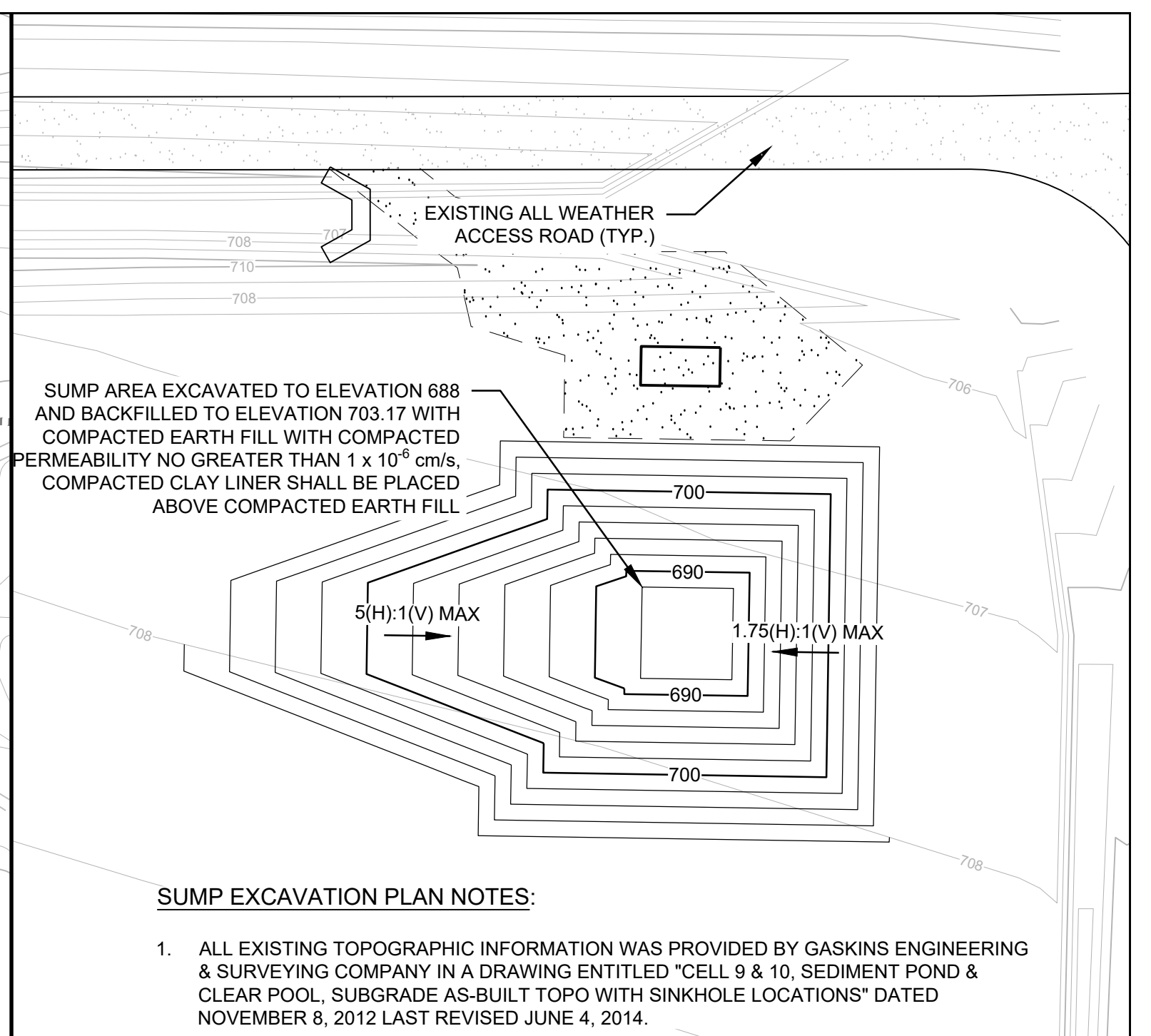
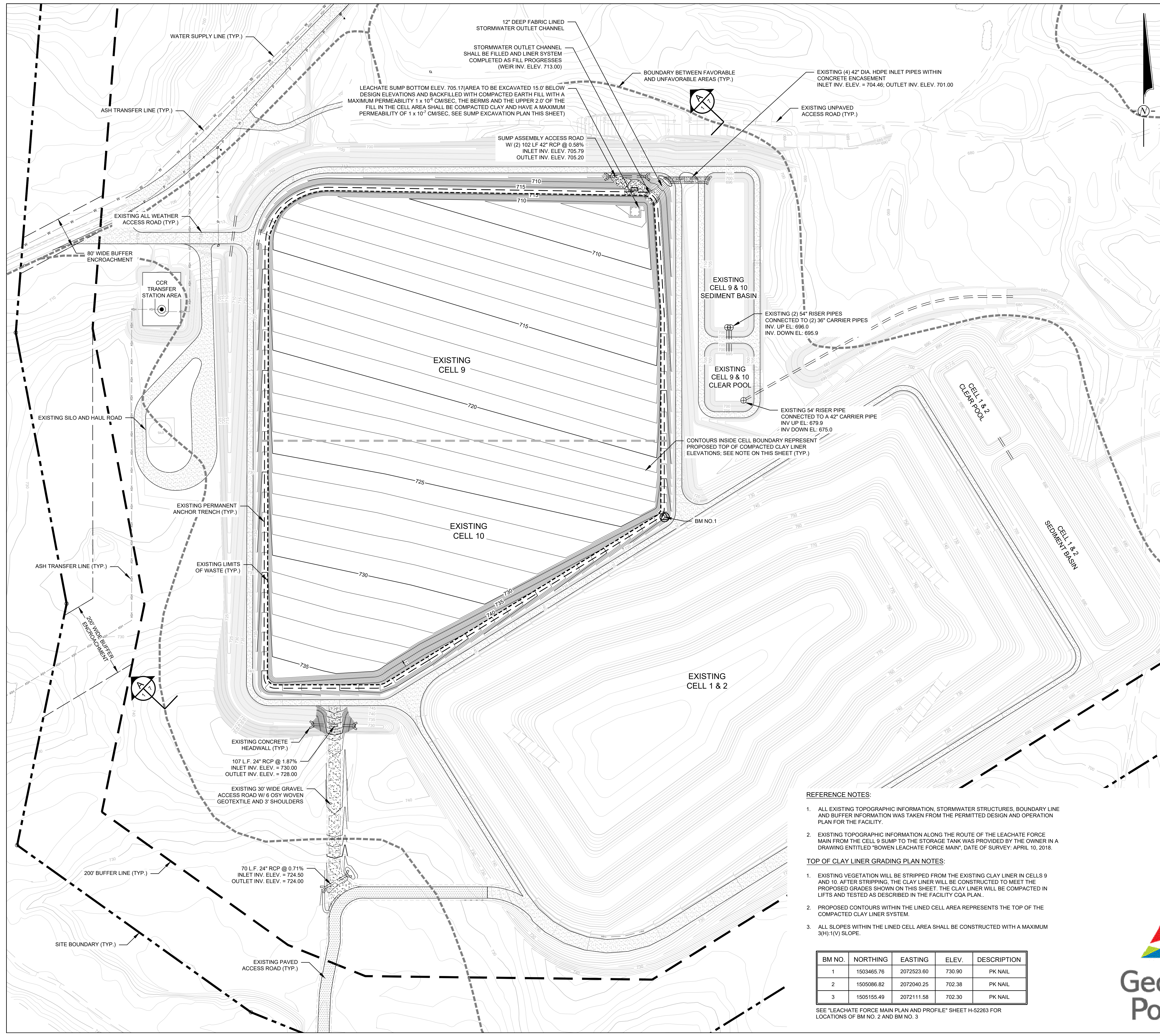
CELL 5			
Drain #	Northing	Eastng	Inlet Elev.
LP503 (T)	1505771	2074664	785.2
LP504	1505946	2074563	785.1
LP505	1506135	2074202	784.7
LP508	1505618	2074677	764.9
LP509 (T)	1505838	2074799	764.8
LP510	1506146	2074483	764.7
LP511	1506254	2074118	765.2
LP516 (T)	1505731	2074848	744.7
LP517	1505956	2074816	745.2
LP518	1506117	2074645	745.2
LP519	1506277	2074356	744.9
LP524 (T)	1505494	2074857	725.0
LP525 (T)	1505772	2074974	725.4
LP526	1505944	2074958	725.4
LP527	1506106	2074788	725.4
LP528	1506306	2074575	725.0
LP529 (T)	1505675	2075011	709.1
LP530	1505889	2075121	709.1
LP531	1506108	2074898	709.2
LP532	1506270	2074728	709.2
High Point	Northing	Eastng	Elev
HP505 (T)	1505823	2074683	786.0
HP506	1506065	2074438	786.0
HP507	1506204	2073960	786.0
HP510 (T)	1505730	2074745	766.0
HP511	1506011	2074623	766.0
HP512	1506220	2074238	766.0
HP516 (T)	1505491	2074748	746.0
HP517	1505852	2074910	746.0
HP518	1506059	2074706	746.0
HP519	1506228	2074523	746.0
HP520	1506339	2074141	746.0
HP525 (T)	1505684	2074927	726.0
HP526 (T)	1505873	2075024	726.0
HP527	1506022	2074876	726.0
HP528	1506183	2074705	726.0
HP529	1506363	2074387	726.0
HP530 (T)	1505514	2074920	710.0
HP531 (T)	1505731	2075041	710.0
HP532	1506002	2075011	710.0
HP533	1506165	2074841	710.0
HP534	1506368	2074627	710.0

CELL 6			
Drain #	Northing	Eastng	Inlet Elev.
LP601	1506008	2073576	804.5
LP602	1505699	2073503	804.8
LP603	1505664	2073742	805.2
LP604	1505587	2073969	805.0
LP605 (T)	1505334	2074297	804.9
LP606 (T)	1505667	2074505	805.3
LP607	1505985	2074392	804.7
LP608	1506110	2073954	805.0
LP609	1505600	2073624	785.2
LP610	1505462	2074021	784.4
LP611	1505209	2074236	785.5
LP612 (T)	1505237	2074377	785.5
LP613 (T)	1505457	2074526	785.1
LP614	1505515	2073489	764.3
LP615	1505399	2073878	765.3
LP616	1505240	2074086	765.3
LP617 (T)	1505036	2074361	764.9
LP618 (T)	1505587	2073969	765.3
LP619 (T)	1505542	2074642	764.9
LP620	1505380	2073650	745.0
LP621	1505275	2073928	745.3
LP622	1505075	2074113	745.3
LP623	1504964	2074267	745.3
LP624 (T)	1505128	2074521	744.9
LP625 (T)	1		









**SUMP EXCAVATION PLAN NOTES:**

- ALL EXISTING TOPOGRAPHIC INFORMATION WAS PROVIDED BY GASKINS ENGINEERING & SURVEYING COMPANY IN A DRAWING ENTITLED "CELL 9 & 10, SEDIMENT POND & CLEAR POOL, SUBGRADE AS-BUILT TOPO WITH SINKHOLE LOCATIONS" DATED NOVEMBER 8, 2012 LAST REVISED JUNE 4, 2014.

**SUMP EXCAVATION PLAN**  
SCALE: 1" = 30'

**LEGEND**

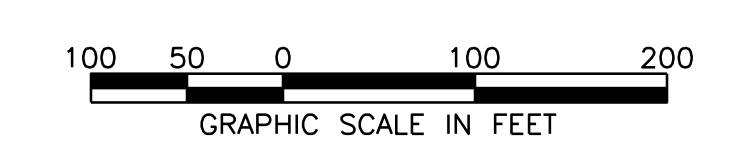
- SITE BOUNDARY
- 200' BUFFER LINE
- BUFFER ENCROACHMENT
- FAVORABLE / UNFAVORABLE AREA BOUNDARY
- INTERNAL CELL BOUNDARY
- EXISTING MINOR CONTOUR
- EXISTING MAJOR CONTOUR
- EXISTING UNPAVED ROAD
- EXISTING PAVED ROAD
- EXISTING GRAVEL ROAD
- EXISTING STORM DRAINAGE PIPE
- EXISTING OUTFALL STRUCTURE
- EXISTING CONCRETE HEADWALL
- EXISTING WATER SUPPLY LINE
- EXISTING ASH TRANSFER LINE
- EXISTING OVERHEAD POWER LINE
- EXISTING POWER POLE
- EXISTING ANCHOR TRENCH
- EXISTING LIMIT OF WASTE
- EXISTING 1' CONTOUR
- EXISTING 5' CONTOUR
- EXISTING GRAVEL ACCESS ROAD

- REFERENCE NOTES:**
- ALL EXISTING TOPOGRAPHIC INFORMATION, STORMWATER STRUCTURES, BOUNDARY LINE AND BUFFER INFORMATION WAS TAKEN FROM THE PERMITTED DESIGN AND OPERATION PLAN FOR THE FACILITY.
  - EXISTING TOPOGRAPHIC INFORMATION ALONG THE ROUTE OF THE LEACHATE FORCE MAIN FROM THE CELL 9 SUMP TO THE STORAGE TANK WAS PROVIDED BY THE OWNER IN A DRAWING ENTITLED "BOWEN LEACHATE FORCE MAIN", DATE OF SURVEY: APRIL 10, 2018.

- TOP OF CLAY LINER GRADING PLAN NOTES:**
- EXISTING VEGETATION WILL BE STRIPPED FROM THE EXISTING CLAY LINER IN CELLS 9 AND 10. AFTER STRIPPING, THE CLAY LINER WILL BE CONSTRUCTED TO MEET THE PROPOSED GRADES SHOWN ON THIS SHEET. THE CLAY LINER WILL BE COMPACTED IN LIFTS AND TESTED AS DESCRIBED IN THE FACILITY COA PLAN.
  - PROPOSED CONTOURS WITHIN THE LINED CELL AREA REPRESENTS THE TOP OF THE COMPACTED CLAY LINER SYSTEM.
  - ALL SLOPES WITHIN THE LINED CELL AREA SHALL BE CONSTRUCTED WITH A MAXIMUM 3(H):1(V) SLOPE.

BM NO.	NORTHING	EASTING	ELEV.	DESCRIPTION
1	1503465.76	2072523.60	730.90	PK NAIL
2	1505086.82	2072040.25	702.38	PK NAIL
3	1505155.49	2072111.58	702.30	PK NAIL

SEE "LEACHATE FORCE MAIN PLAN AND PROFILE" SHEET H-52263 FOR LOCATIONS OF BM NO. 2 AND BM NO. 3



CELL 9&10 TOP OF CLAY LINER GRADING PLAN

**CELLS 9 & 10 LINER RETROFIT**  
**PLANT BOWEN - CCR LANDFILL**

FOR  
**GEORGIA POWER COMPANY**  
BARTOW COUNTY, GEORGIA

**HHNT**  
HODGES, HARBIN,  
NEWBERRY & TRIBBLE, INC.  
3920 ARKWRIGHT RD., SUITE 101  
MACON, GEORGIA 31210

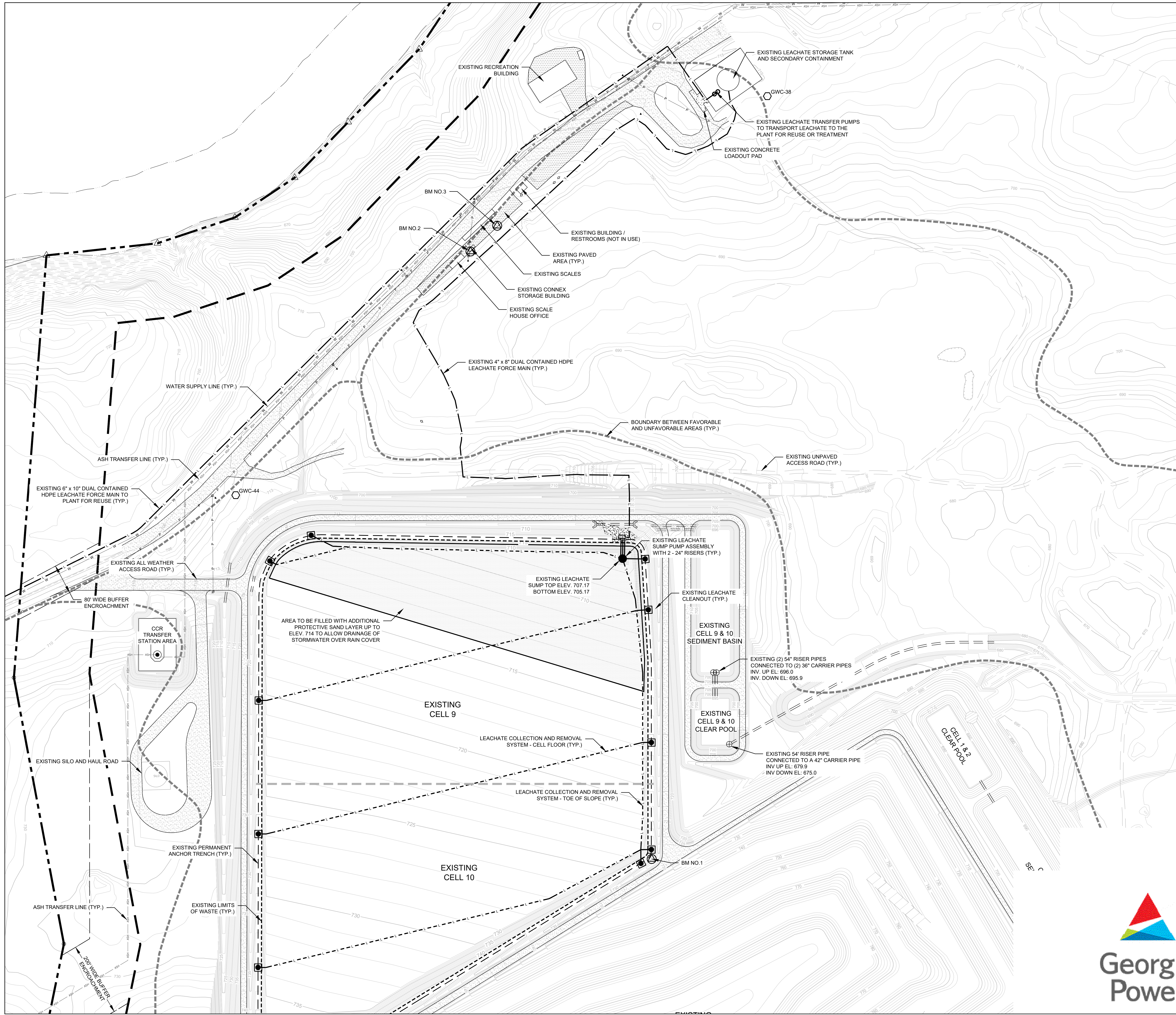
PROJ. NO. 3030-022-01 DWG. BWN-CELL 9-10-Retrofit  
SCALE 1" = 100' SHEET H-52261  
DATE AUGUST 2022











**LEGEND**

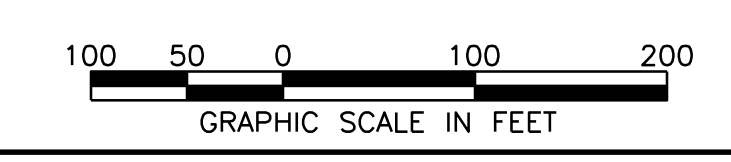
- SITE BOUNDARY
- 200' BUFFER LINE
- BUFFER ENCROACHMENT
- FAVORABLE / UNFAVORABLE AREA BOUNDARY
- INTERNAL CELL BOUNDARY
- EXISTING MINOR CONTOUR
- EXISTING MAJOR CONTOUR
- EXISTING UNPAVED ROAD
- EXISTING PAVED ROAD
- EXISTING GRAVEL ROAD
- EXISTING STORM DRAINAGE PIPE
- EXISTING OUTFALL STRUCTURE
- EXISTING CONCRETE HEADWALL
- EXISTING WATER SUPPLY LINE
- EXISTING ASH TRANSFER LINE
- EXISTING OVERHEAD POWER LINE
- EXISTING POWER POLE
- EXISTING ANCHOR TRENCH
- EXISTING LIMIT OF WASTE
- EXISTING SOLID LEACHATE PIPE
- EXISTING PERFORATED LEACHATE PIPE
- EXISTING LEACHATE CLEANOUT
- EXISTING LEACHATE SUMP

**REFERENCE NOTES:**

1. SEE TOP OF CLAY LINER GRADING PLAN, SHEET H-52261, FOR ALL REFERENCE NOTES.

**LEACHATE FORCE MAIN PLAN NOTES:**

1. PORTIONS OF THE LEACHATE FORCE MAIN WILL BE INSTALLED ABOVE GROUND AND CONTAINED WITH BOLLARDS OR SIMILAR BARRIERS.



CELL 9&10 LEACHATE FORCE MAIN PLAN

**CELLS 9 & 10 LINER RETROFIT**  
**PLANT BOWEN - CCR LANDFILL**

FOR  
**GEORGIA POWER COMPANY**  
 BARTOW COUNTY, GEORGIA

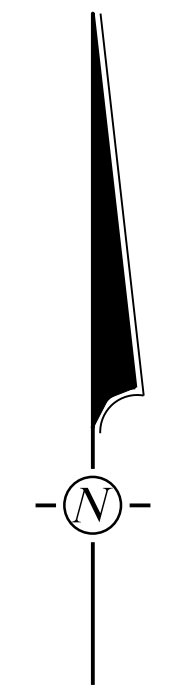
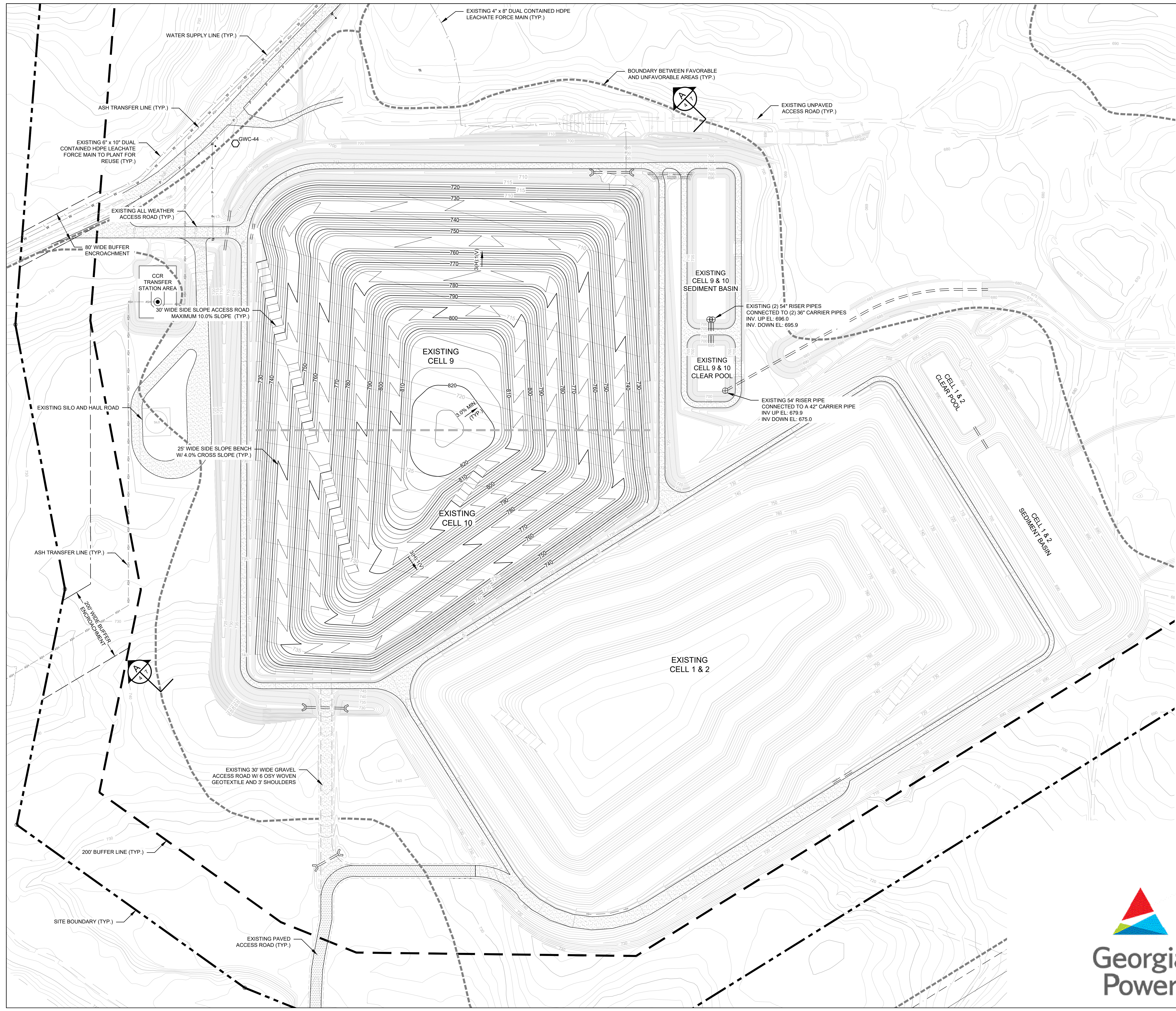
**HHNT**  
 HODGES, HARBIN,  
 NEWBERRY & TRIBBLE, INC.

3920 ARKWRIGHT RD. SUITE 101  
 MACON, GEORGIA 31210

PROJ. NO. 3030-022-01	DWG. BWN-CELL 9-10-Retrofit
SCALE 1" = 100'	SHEET H-52263
DATE AUGUST 2022	







**LEGEND**

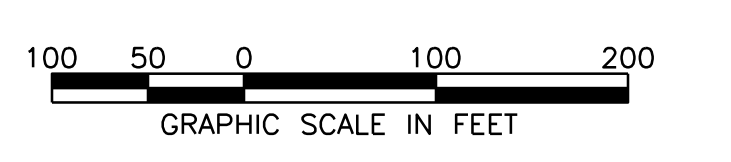
SITE BOUNDARY	
200' BUFFER LINE	
BUFFER ENCROACHMENT	
FAVORABLE / UNFAVORABLE AREA BOUNDARY	
INTERNAL CELL BOUNDARY	
EXISTING MINOR CONTOUR	
EXISTING MAJOR CONTOUR	
EXISTING UNPAVED ROAD	
EXISTING PAVED ROAD	
EXISTING GRAVEL ROAD	
EXISTING STORM DRAINAGE PIPE	
EXISTING OUTFALL STRUCTURE	
EXISTING CONCRETE HEADWALL	
EXISTING WATER SUPPLY LINE	
EXISTING ASH TRANSFER LINE	
EXISTING OVERHEAD POWER LINE	
EXISTING POWER POLE	
PROPOSED 2' CONTOUR	
PROPOSED 10' CONTOUR	
EXISTING SOLID LEACHATE PIPE	

**REFERENCE NOTES:**

- SEE TOP OF CLAY LINER GRADING PLAN, SHEET H-52261, FOR ALL REFERENCE NOTES.

**FINAL GRADING PLAN NOTES:**

- THE PROPOSED CONTOURS SHOWN WITHIN THE LANDFILL BOUNDARY REPRESENT THE TOP OF THE FINAL COVER SYSTEM.
- THE PROPOSED SIDE SLOPE FINAL GRADES SHALL HAVE A MAXIMUM SLOPE OF 3(H):1(V) AND A MINIMUM SLOPE OF 3.0%.
- THE 25' WIDE SIDE SLOPE BENCHES SHALL BE GRADED WITH A 4.0% CROSS SLOPE GRADED INTO THE HILL TO BE UTILIZED FOR STORMWATER MANAGEMENT.
- THE 30' WIDE ACCESS ROADS ON SIDE SLOPES SHALL BE GRADED WITH A MAXIMUM 10.0% SLOPE.



CELL 9&10 FINAL GRADING PLAN

**CELLS 9 & 10 LINER RETROFIT**  
**PLANT BOWEN - CCR LANDFILL**

FOR  
**GEORGIA POWER COMPANY**  
 BARTOW COUNTY, GEORGIA

**HHNT**  
 HODGES, HARBIN,  
 NEWBERRY & TRIBBLE, INC.

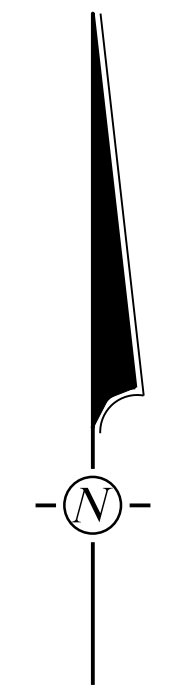
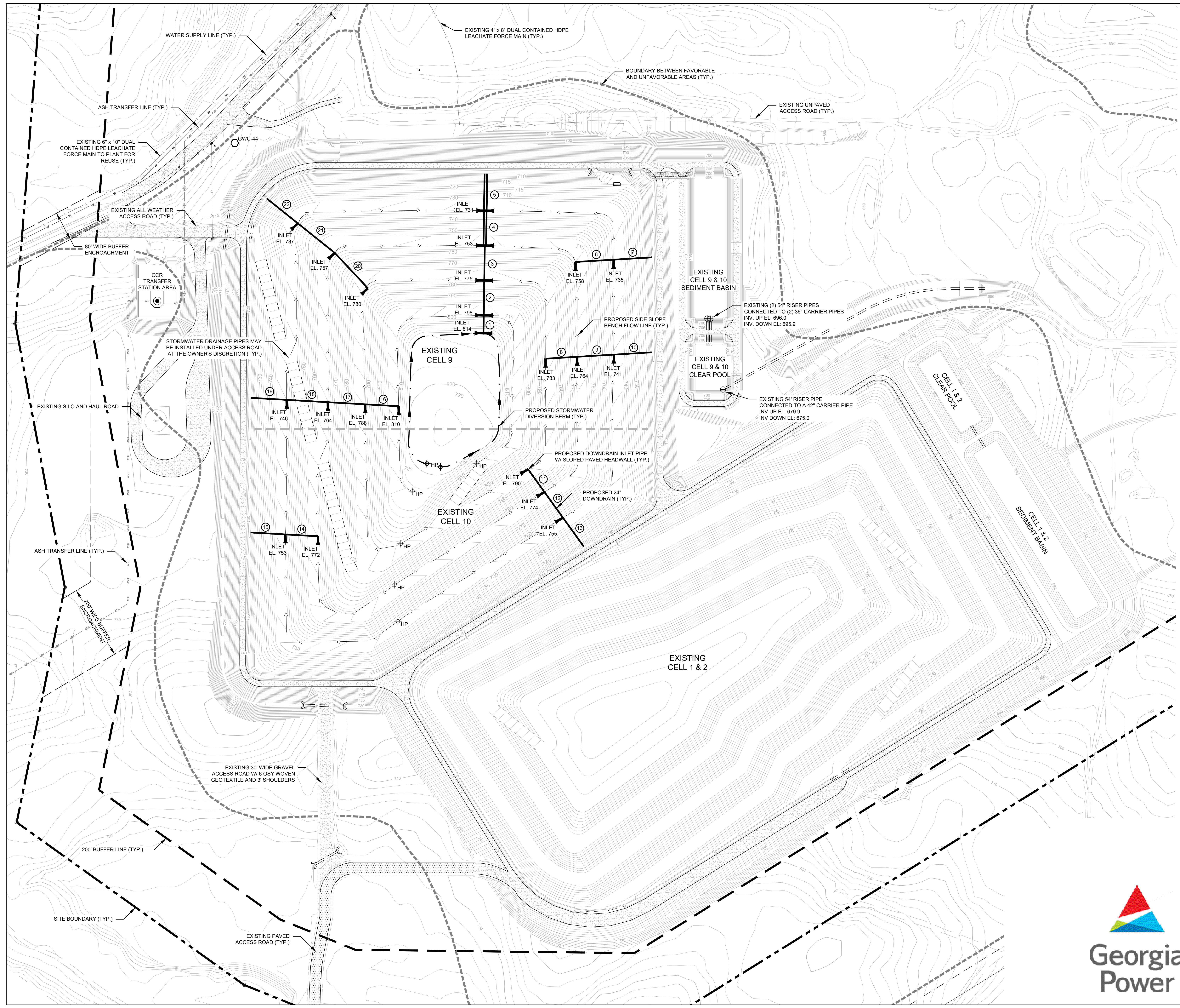
3920 ARKWRIGHT RD. SUITE 101  
 MACON, GEORGIA 31210

(478) 743-7175  
 WWW.HHNT.COM

PROJ. NO.	3030-022-01	DWG.	BWN-CELL 9-10-Retrofit
SCALE	1" = 100'	SHEET	H-52264
DATE	AUGUST 2022		







**LEGEND**

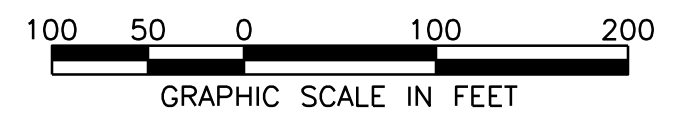
- SITE BOUNDARY
- 200' BUFFER LINE
- BUFFER ENCROACHMENT
- FAVORABLE / UNFAVORABLE AREA BOUNDARY
- INTERNAL CELL BOUNDARY
- EXISTING MINOR CONTOUR
- EXISTING MAJOR CONTOUR
- EXISTING UNPAVED ROAD
- EXISTING PAVED ROAD
- EXISTING GRAVEL ROAD
- EXISTING STORM DRAINAGE PIPE
- EXISTING OUTFALL STRUCTURE
- EXISTING CONCRETE HEADWALL
- EXISTING WATER SUPPLY LINE
- EXISTING ASH TRANSFER LINE
- EXISTING OVERHEAD POWER LINE
- EXISTING POWER POLE
- EXISTING SOLID LEACHATE PIPE
- PROPOSED DOWNRAIN PIPE AND INLET
- PROPOSED SIDE SLOPE BENCH FLOW LINE
- PROPOSED STORMWATER DIVERSION BERM

**REFERENCE NOTES:**

1. SEE TOP OF CLAY LINER GRADING PLAN, SHEET H-52261, FOR ALL REFERENCE NOTES.

**FINAL DRAINAGE PLAN NOTES:**

1. THE PROPOSED CONTOURS SHOWN WITHIN THE LANDFILL BOUNDARY REPRESENT THE TOP OF THE FINAL COVER SYSTEM.
2. THE PROPOSED SIDE SLOPE FINAL GRADES SHALL HAVE A MAXIMUM SLOPE OF 3(H):1(V) AND A MINIMUM SLOPE OF 3.0%.
3. THE 25' WIDE BENCHES SHALL BE GRADED WITH A 4.0% CROSS SLOPE GRADED INTO THE HILL TO BE UTILIZED FOR STORM WATER MANAGEMENT.
4. THE 30' WIDE ACCESS ROADS SHALL BE GRADED WITH A MAXIMUM 10.0% SLOPE.
5. ALL PROPOSED DOWNRAIN PIPES AND INLET PIPES SHALL BE 24" DIA. HDPE PIPE.



CELL 9&10 FINAL DRAINAGE PLAN

**CELLS 9 & 10 LINER RETROFIT**  
**PLANT BOWEN - CCR LANDFILL**

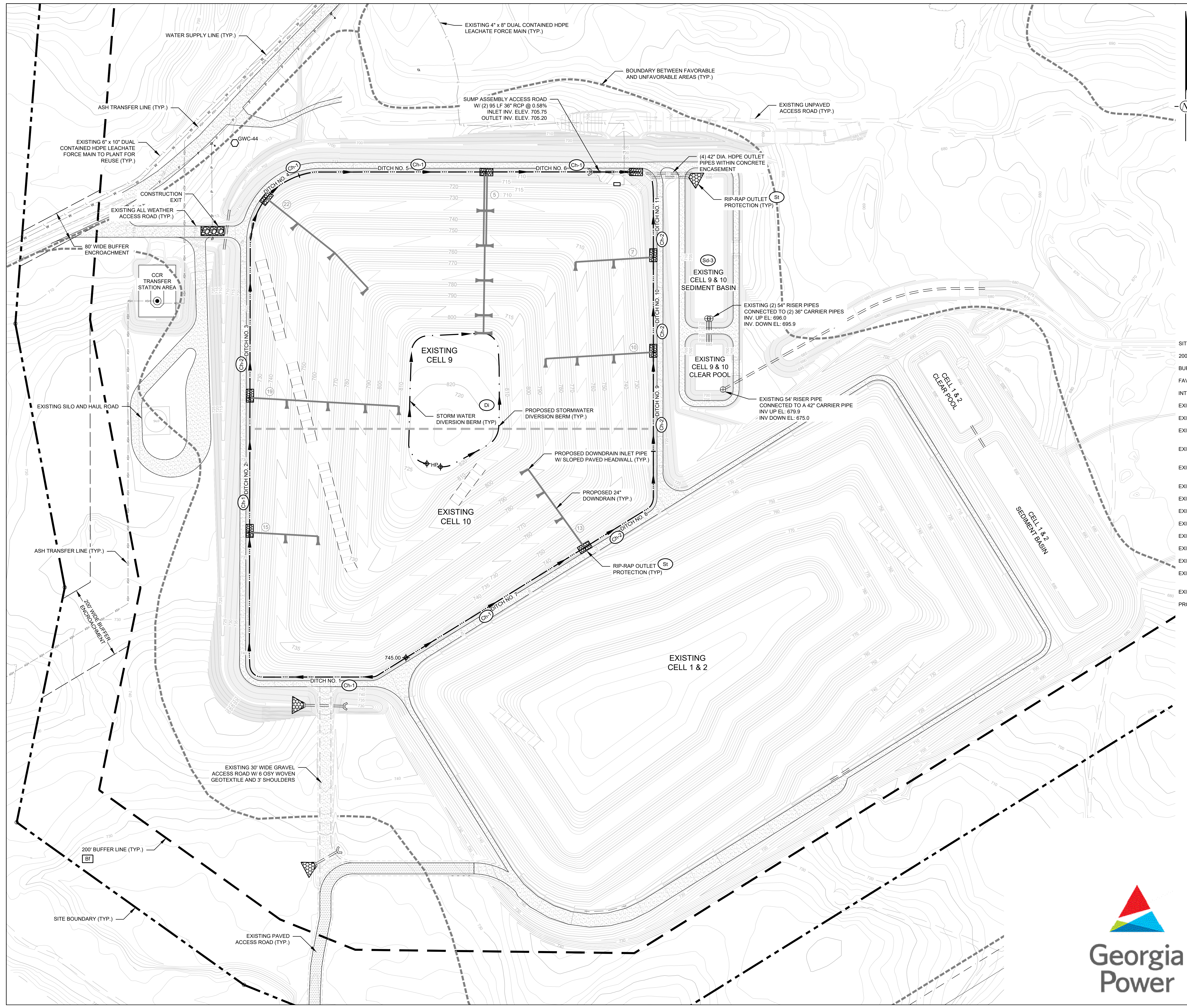
FOR  
**GEORGIA POWER COMPANY**  
 BARTOW COUNTY, GEORGIA

**HHNT**  
 HODGES, HARBIN,  
 NEWBERRY & TRIBBLE, INC.

3920 ARKWRIGHT RD. SUITE 101  
 MACON, GEORGIA 31210

PROJ. NO.	3030-022-01	DWG.	BWN-CELL 9-10-Retrofit
SCALE	1" = 100'	SHEET	H-52265
DATE	AUGUST 2022		





EROSION CONTROL DEVICES					
	CONSTRUCTION EXIT				Co
	STORMWATER DIVERSION BERM				Di
	DRAINAGE DITCH				Ch-#
	RIP-RAP OUTLET PROTECTION				St
	DOWNRAIN NO.	RIP-RAP SIZE	L	W1	W2
	5	6"	20'	25'	25'
	7	6"	8'	25'	25'
	10	6"	8'	25'	25'
	13	6"	8'	25'	25'
	15	6"	8'	25'	25'
	19	6"	8'	25'	25'
	22	6"	8'	25'	25'
	PIPE	RIP-RAP SIZE	L	W1	W2
	(2) 36"	12"	34'	25'	25'
	(4) 42"	15"	40'	18'	58'

NOTE: ALL RIP-RAP OUTLET PROTECTION SHALL BE GROUTED IN PLACE

GRASS LINED DITCH WITH EXCELSIOR MATTING			
DITCH NO.	LENGTH	SLOPE	
1	806'	1.74%	
2	363'	1.93%	
4	187'	1.07%	
5	505'	0.59%	
6	417'	0.48%	
7	570'	2.11%	

RIP-RAP LINED DITCH			
DITCH NO.	LENGTH	SLOPE	RIP-RAP SIZE
3	547'	2.01%	6"
8	360'	3.33%	6"
9	267'	1.87%	6"
10	256'	2.34%	6"
11	205'	1.95%	6"

### LEGEND

	SITE BOUNDARY		200' BUFFER LINE
	BUFFER ENCROACHMENT		FAVORABLE / UNFAVORABLE AREA BOUNDARY
	INTERNAL CELL BOUNDARY		EXISTING MINOR CONTOUR
	EXISTING MAJOR CONTOUR		EXISTING UNPAVED ROAD
	EXISTING PAVED ROAD		EXISTING GRAVEL ROAD
	EXISTING STORM DRAINAGE PIPE		EXISTING OUTFALL STRUCTURE
	EXISTING CONCRETE HEADWALL		EXISTING WATER SUPPLY LINE
	EXISTING ASH TRANSFER LINE		EXISTING OVERHEAD POWER LINE
	EXISTING POWER POLE		EXISTING SOLID LEACHATE PIPE
	EXISTING DOWNDRAIN PIPE AND INLET		PROPOSED STORMWATER DIVERSION BERM

**REFERENCE NOTES:**

- SEE TOP OF CLAY LINER GRADING PLAN, SHEET H-52261, FOR ALL REFERENCE NOTES.

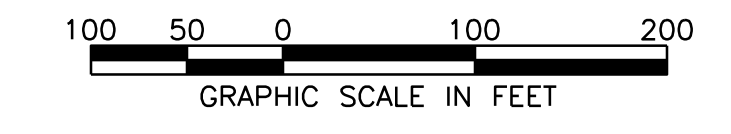
- EROSION CONTROL PLAN NOTES:**
- EROSION AND SEDIMENTATION CONTROL DEVICES ARE TO BE INSTALLED PRIOR TO BEGINNING ANY LAND DISTURBING ACTIVITIES.
  - IN PLACE OF RIP-RAP LINED DITCHES THE OPERATOR MAY USE A MORE RESISTANT LINING MATERIAL SUCH AS CONCRETE LINED DITCHES.
  - EXCELSIOR MATTING SHALL BE PLACED ON THE FINAL COVER SYSTEM IN ALL AREAS WITH SLOPES 3:1 OR STEEPER.

**GEORGIA**  
DEPARTMENT OF NATURAL RESOURCES  
ENVIRONMENTAL PROTECTION DIVISION

Approved

Solid Waste Management Program

Approved By: Keith Stevens



CELL 9&10 EROSION CONTROL PLAN

## CELLS 9 & 10 LINER RETROFIT

### PLANT BOWEN - CCR LANDFILL

FOR  
GEORGIA POWER COMPANY  
BARTOW COUNTY, GEORGIA

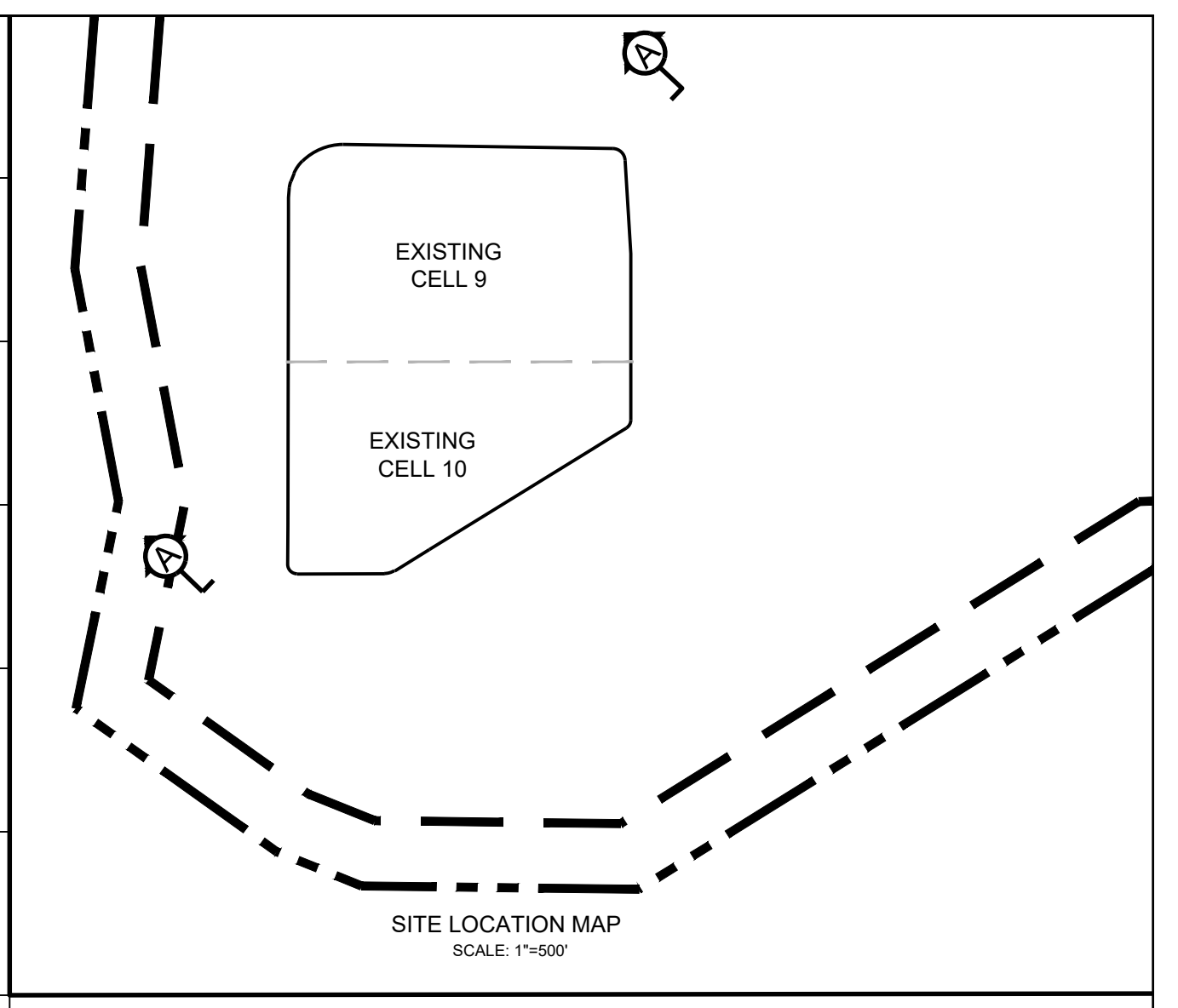
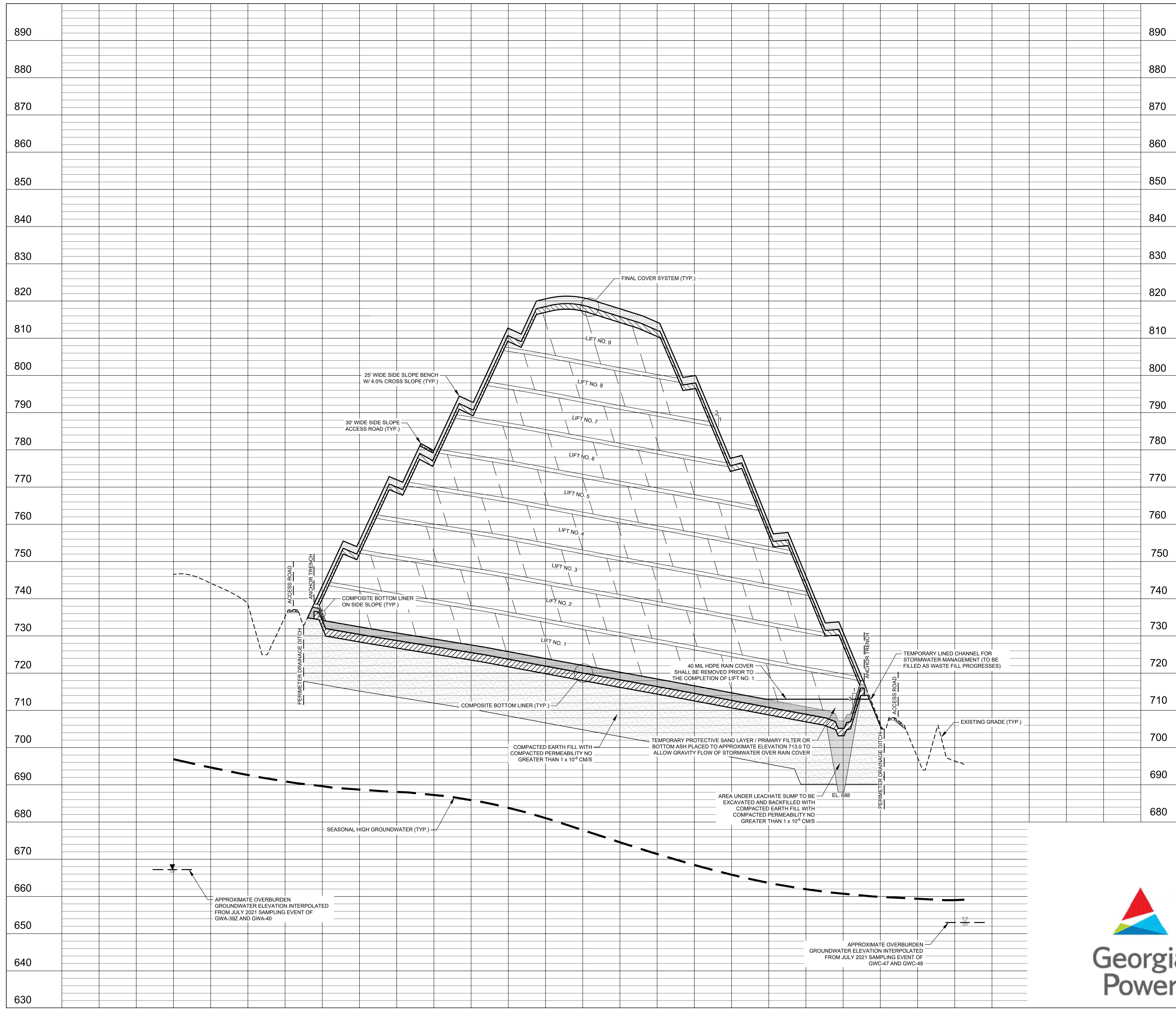
**Georgia Power**

**HHNT**  
HODGES, HARBIN,  
NEWBERRY & TRIBBLE, INC.

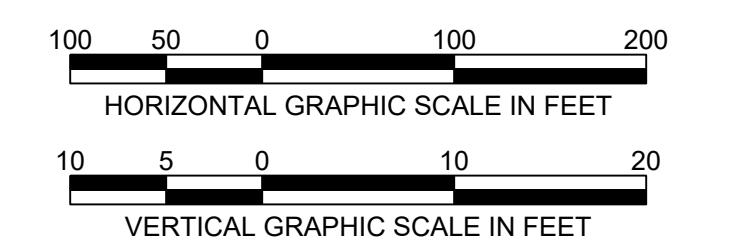
3920 ARKWRIGHT RD.  
SUITE 101  
MACON, GEORGIA 31210

PROJ. NO.	3030-022-01	DWG.	BWN-CELL 9-10-Retrofit
SCALE	1" = 100'	SHEET	H-52266
DATE	AUGUST 2022		





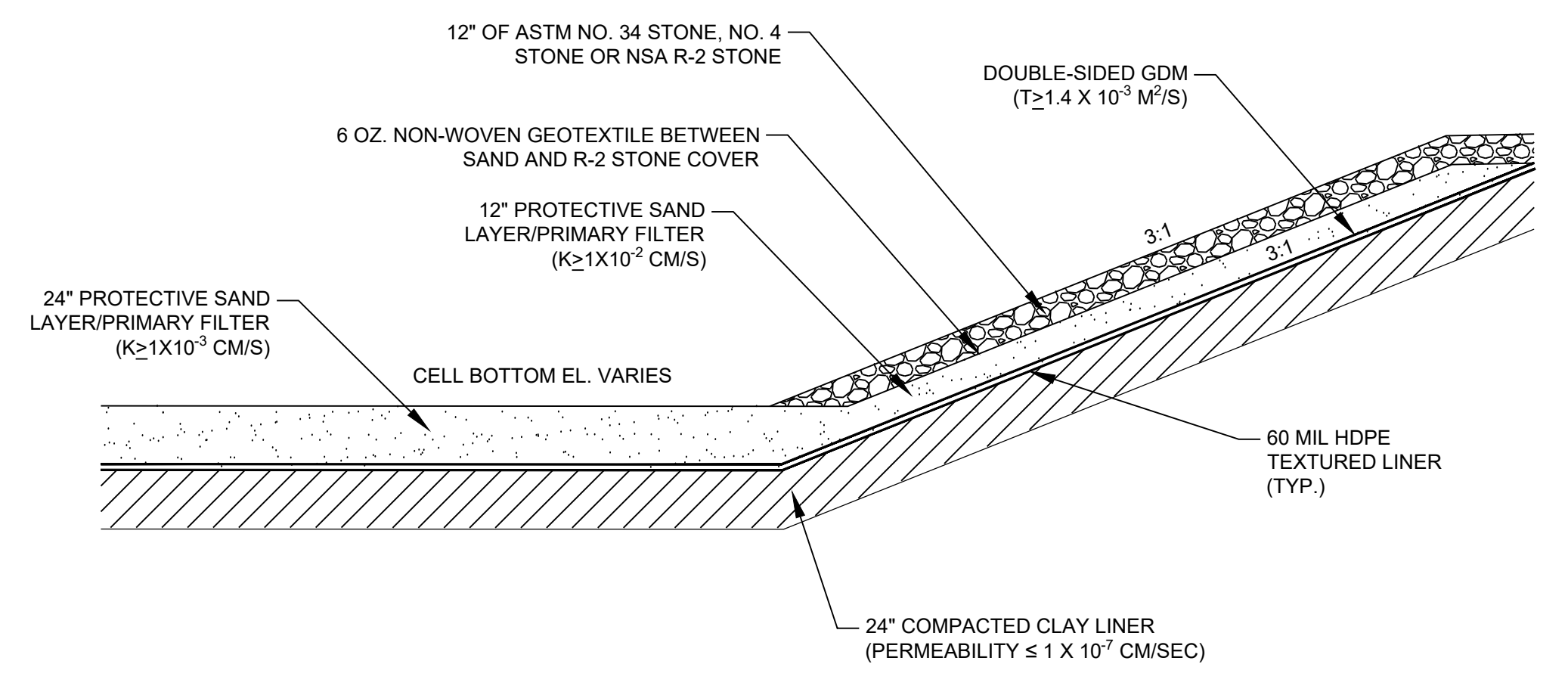
- GENERAL NOTES:**
1. ALL EXISTING TOPOGRAPHIC INFORMATION, BOUNDARY LINE AND BUFFER INFORMATION WAS TAKEN FROM THE PERMITTED DESIGN AND OPERATION PLAN FOR THE FACILITY.
  2. SEASONAL HIGH GROUNDWATER WAS TAKEN FROM THE PERMITTED DESIGN AND OPERATION PLAN FOR THE FACILITY.



CELL 9&10 CROSS SECTION A			
<b>CELLS 9 &amp; 10 LINER RETROFIT PLANT BOWEN - CCR LANDFILL</b>			
FOR <b>GEORGIA POWER COMPANY</b> BARTOW COUNTY, GEORGIA			
<b>HHNT</b>		3920 ARKWRIGHT RD. SUITE 101 MACON, GEORGIA 31210	
HODGES, HARBIN, NEWBERRY & TRIBBLE, INC.		(478) 743-7175 WWW.HHNT.COM	
PROJ. NO.	3030-022-01	DWG.	BWN-Cell 9-10-7-X Sec
SCALE	1"=100' HOR 1"=10' VERT.	SHEET	H-52267
DATE	AUGUST 2022		



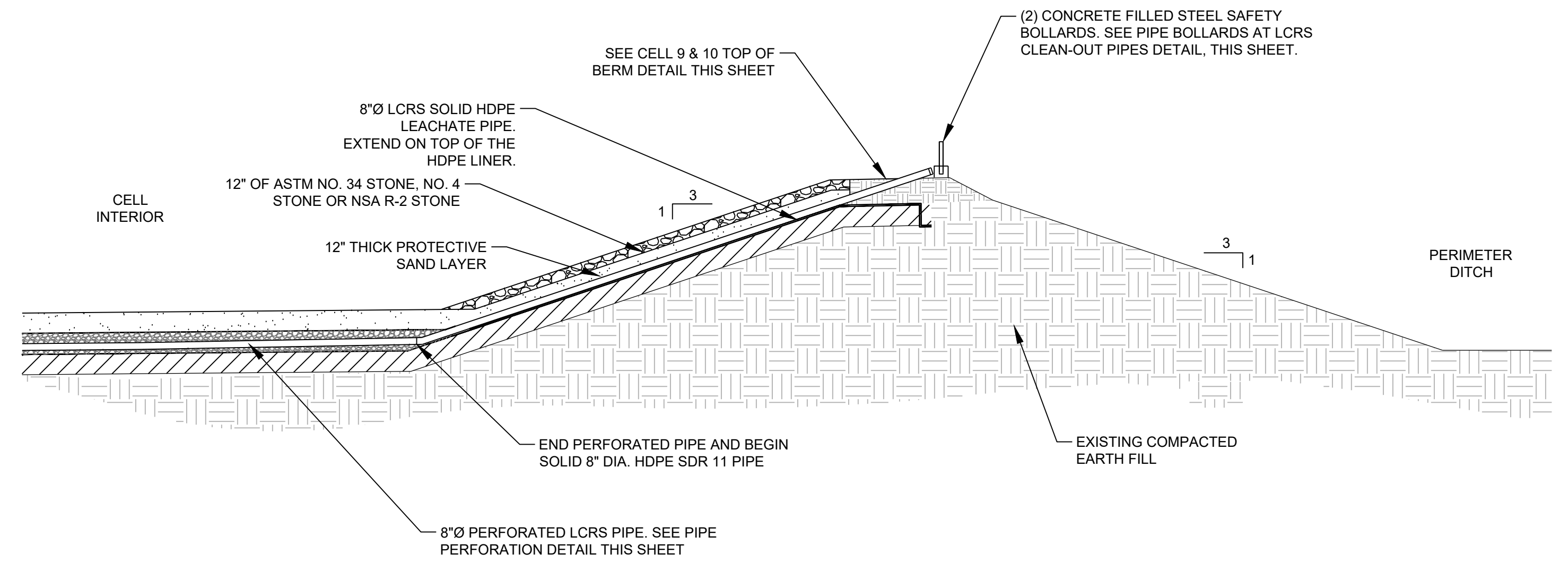
1



NOTE:  
1. OPERATOR MAY INSTALL RAIN COVER OR OTHER GEOSYNTHETIC OVER SURFACE OF PROTECTIVE SAND LAYER FOR EROSION CONTROL AND STORMWATER MANAGEMENT.

**COMPOSITE BOTTOM LINER**  
NTS

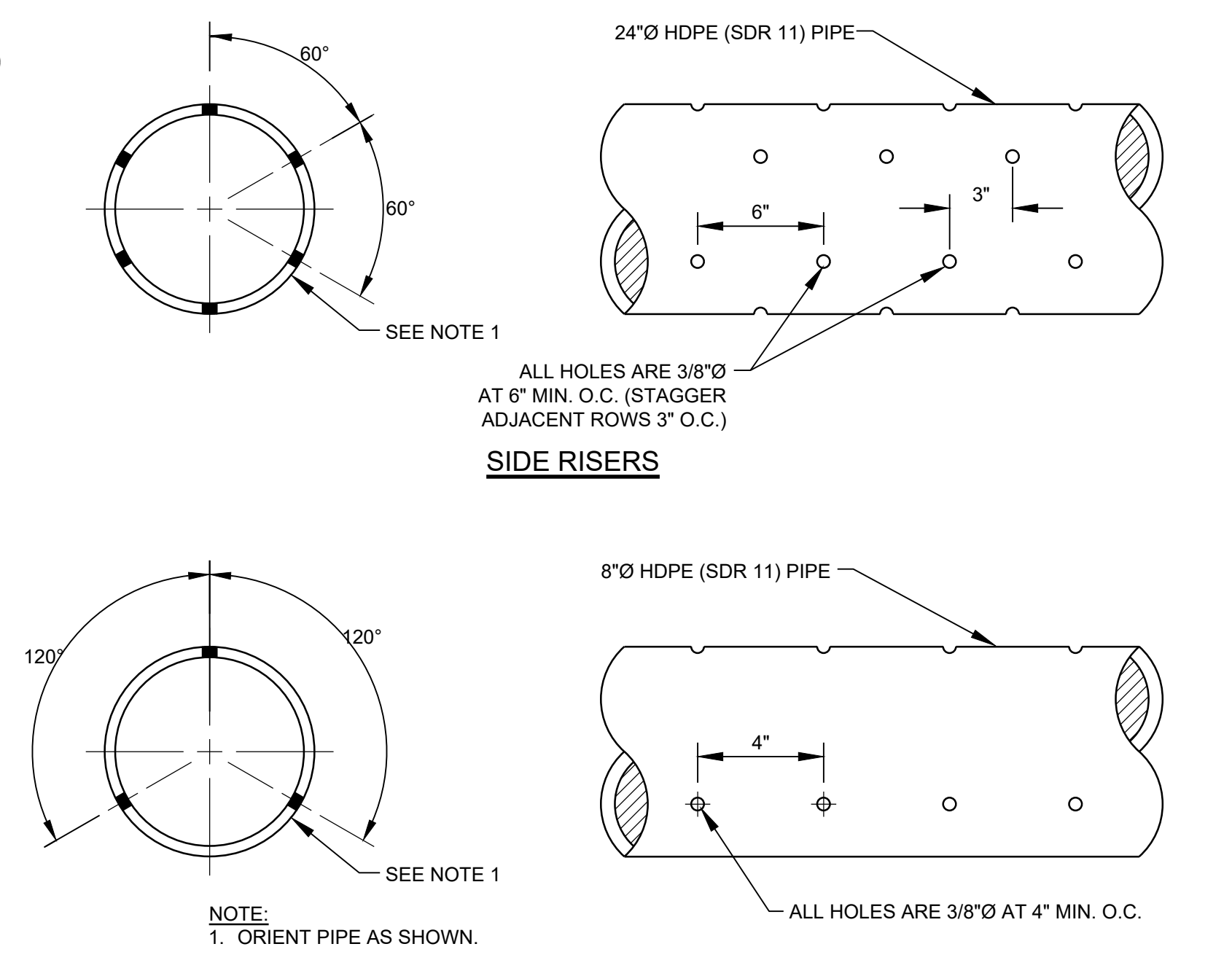
2



NOTE:  
1. OPERATOR MAY INSTALL RAIN FLAP OR OTHER GEOSYNTHETIC OVER SURFACE OF PROTECTIVE SAND LAYER FOR EROSION CONTROL AND STORMWATER MANAGEMENT.

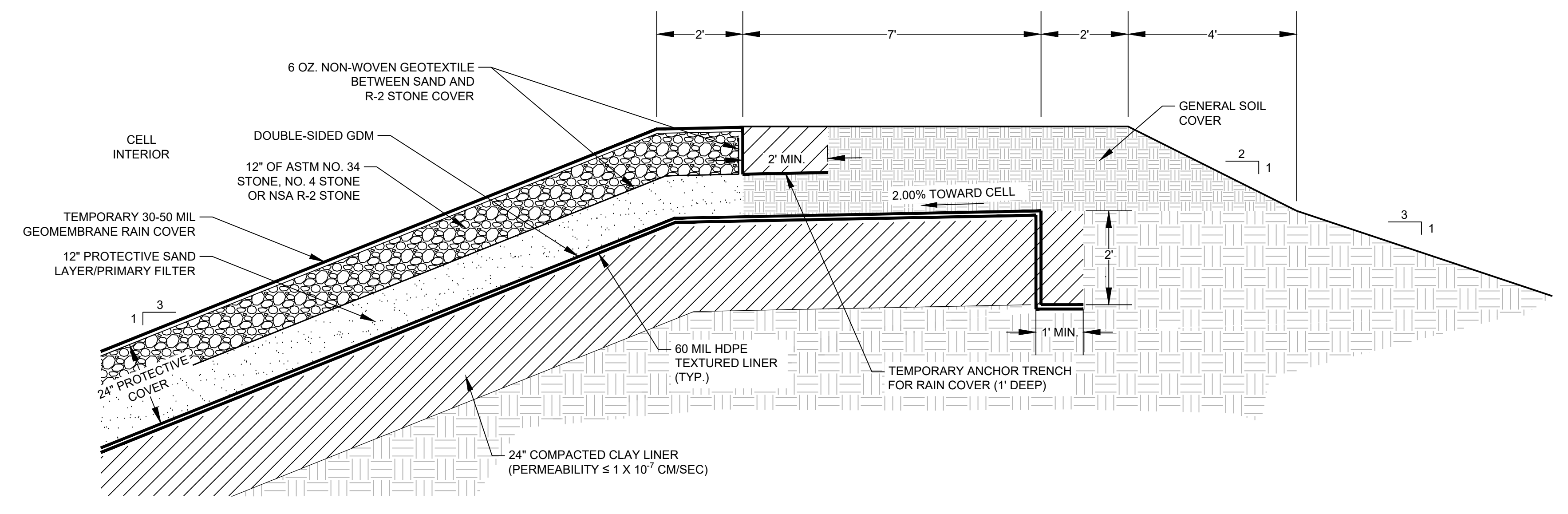
**LEACHATE CLEANOUT**  
SCALE: N.T.S.

3



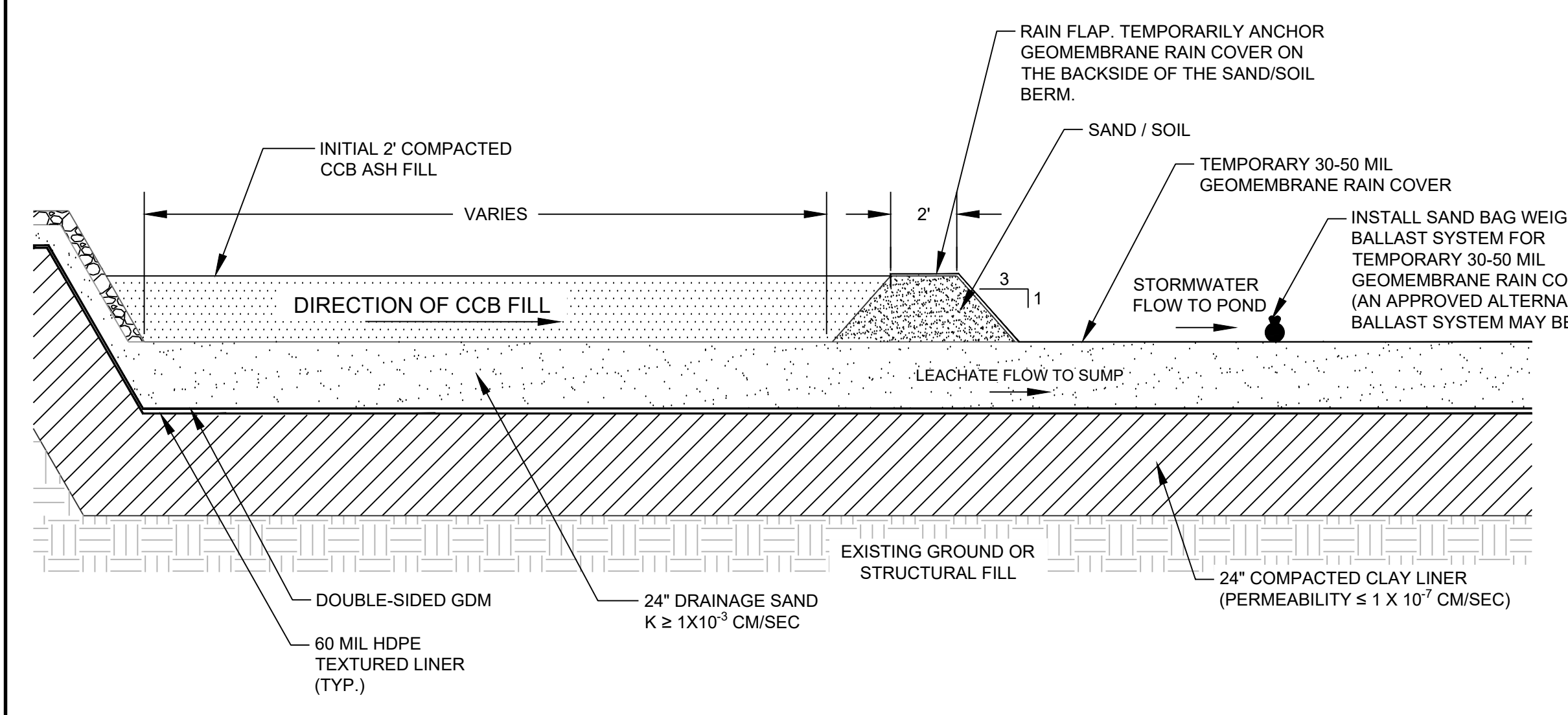
**HDPE PIPE PERFORATIONS**  
SCALE: N.T.S.

4



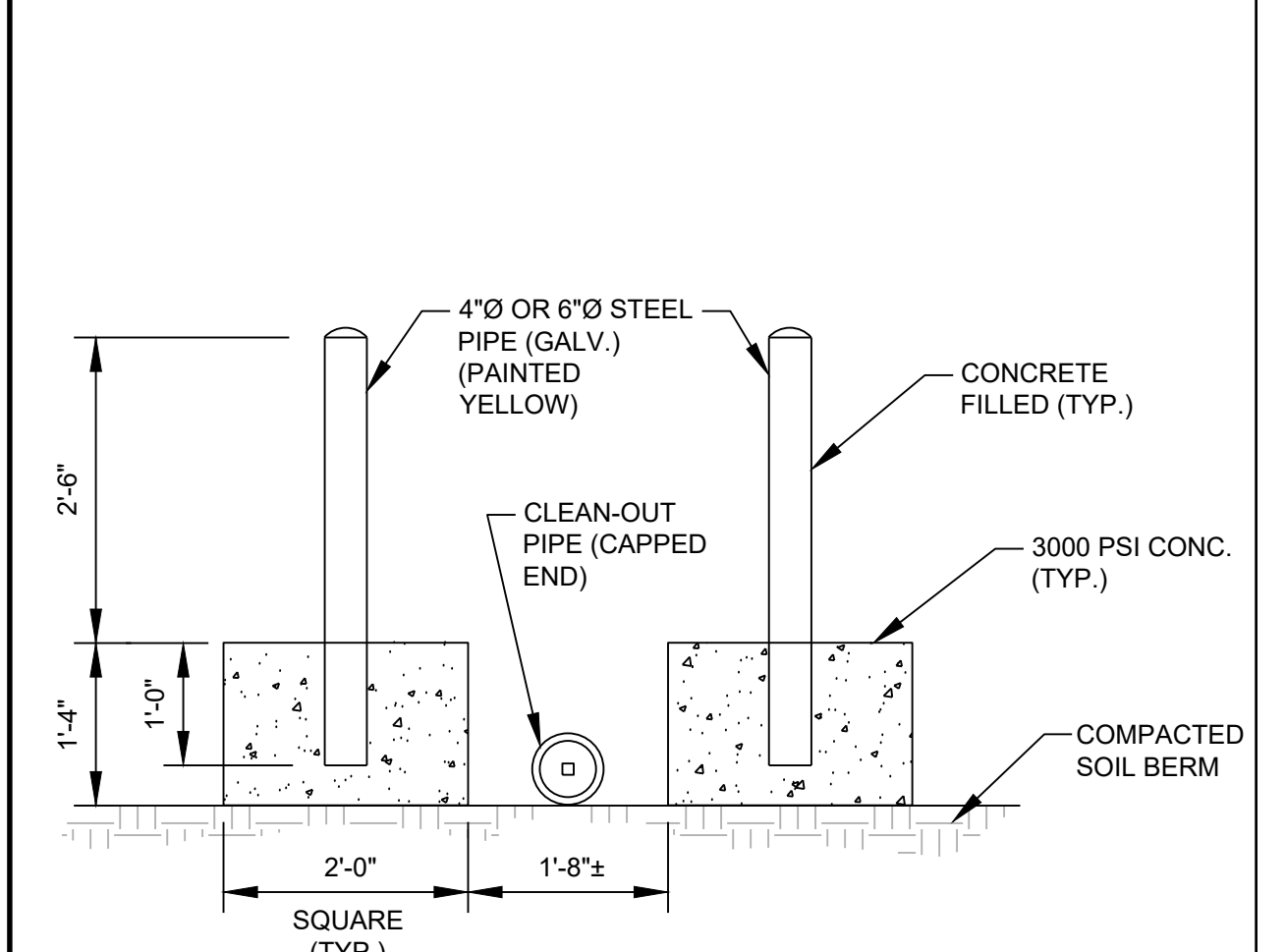
**CELL 9 AND 10 TOP OF BERM**  
SCALE: N.T.S.

5



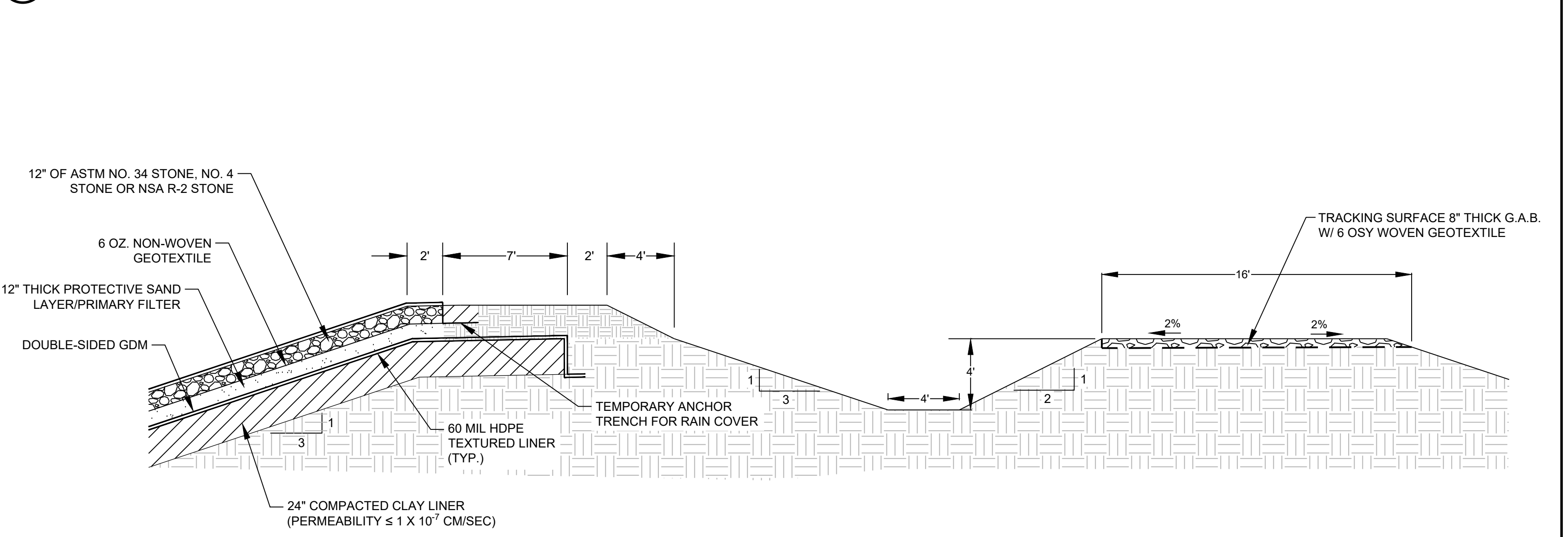
**RAIN FLAP**  
SCALE: N.T.S.

6



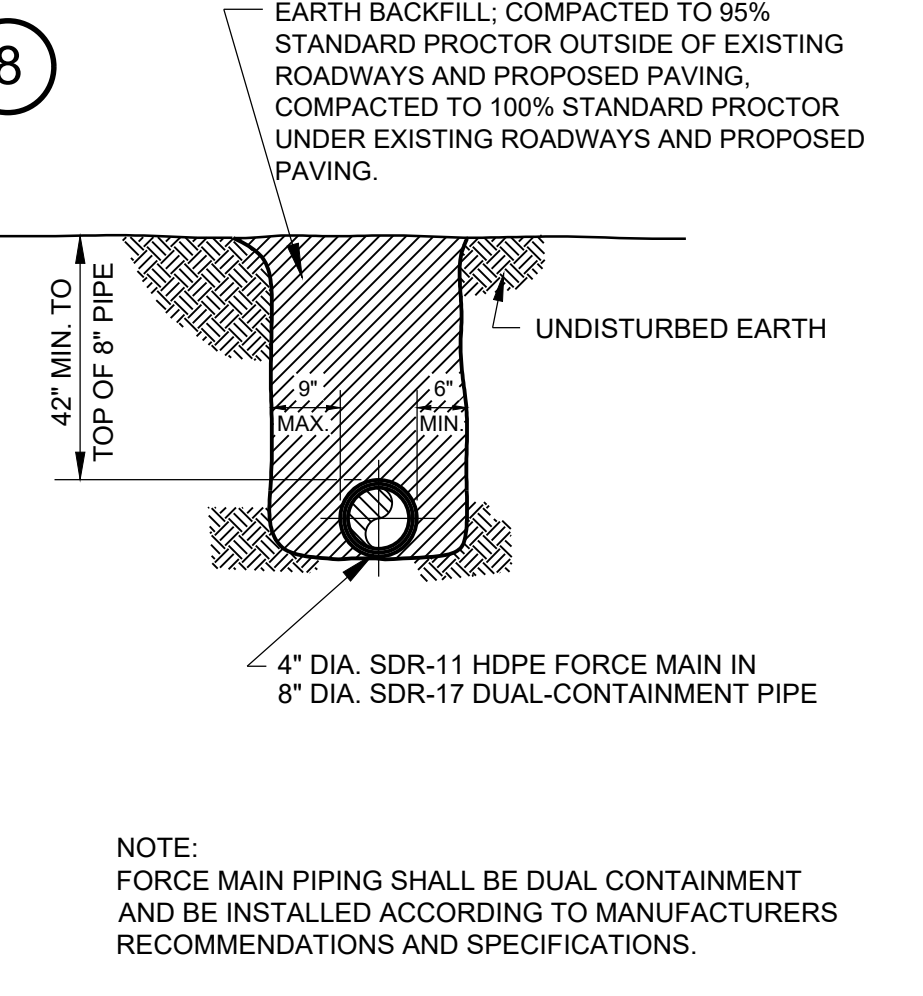
**PIPE BOLLARDS AT LEACHATE CLEANOUT PIPES**  
SCALE: N.T.S.

7



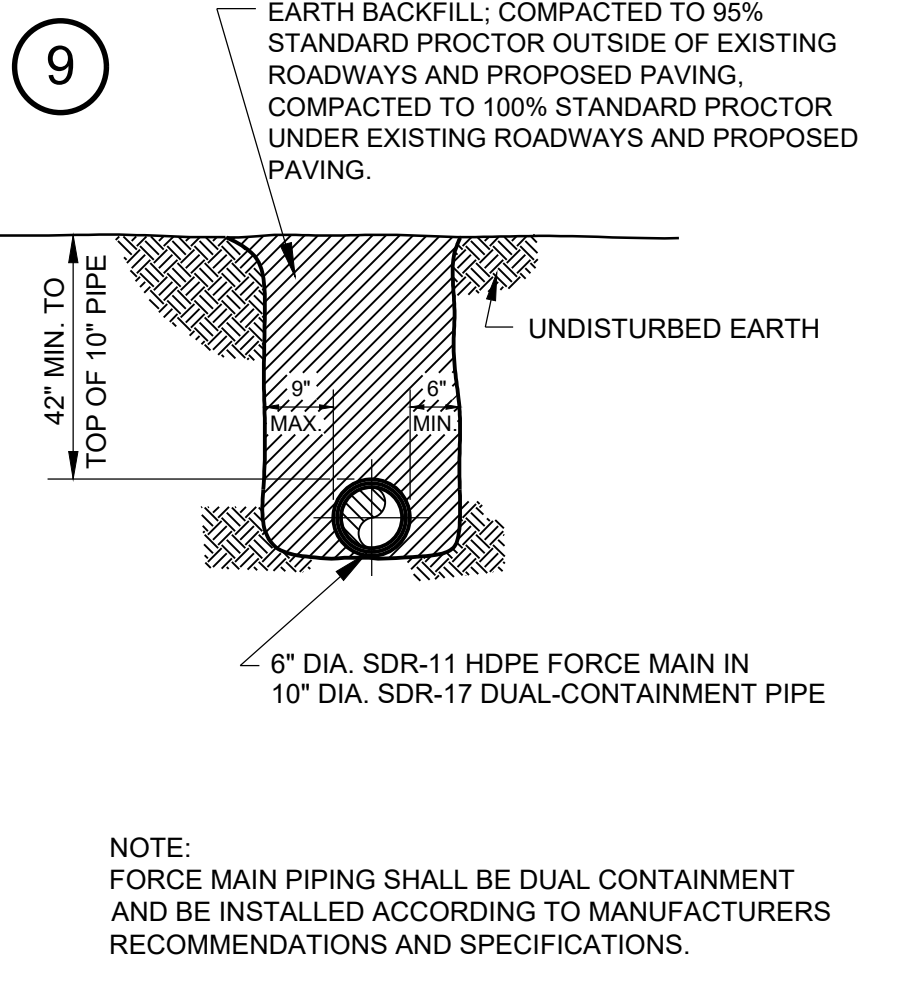
**PERMANENT ACCESS ROAD, PERIMETER DITCH, AND BERM TYPICAL SECTION**  
SCALE: 1" = 5'

8



**4"X8" DUAL CONTAINED FORCE MAIN**  
SCALE: N.T.S.

9



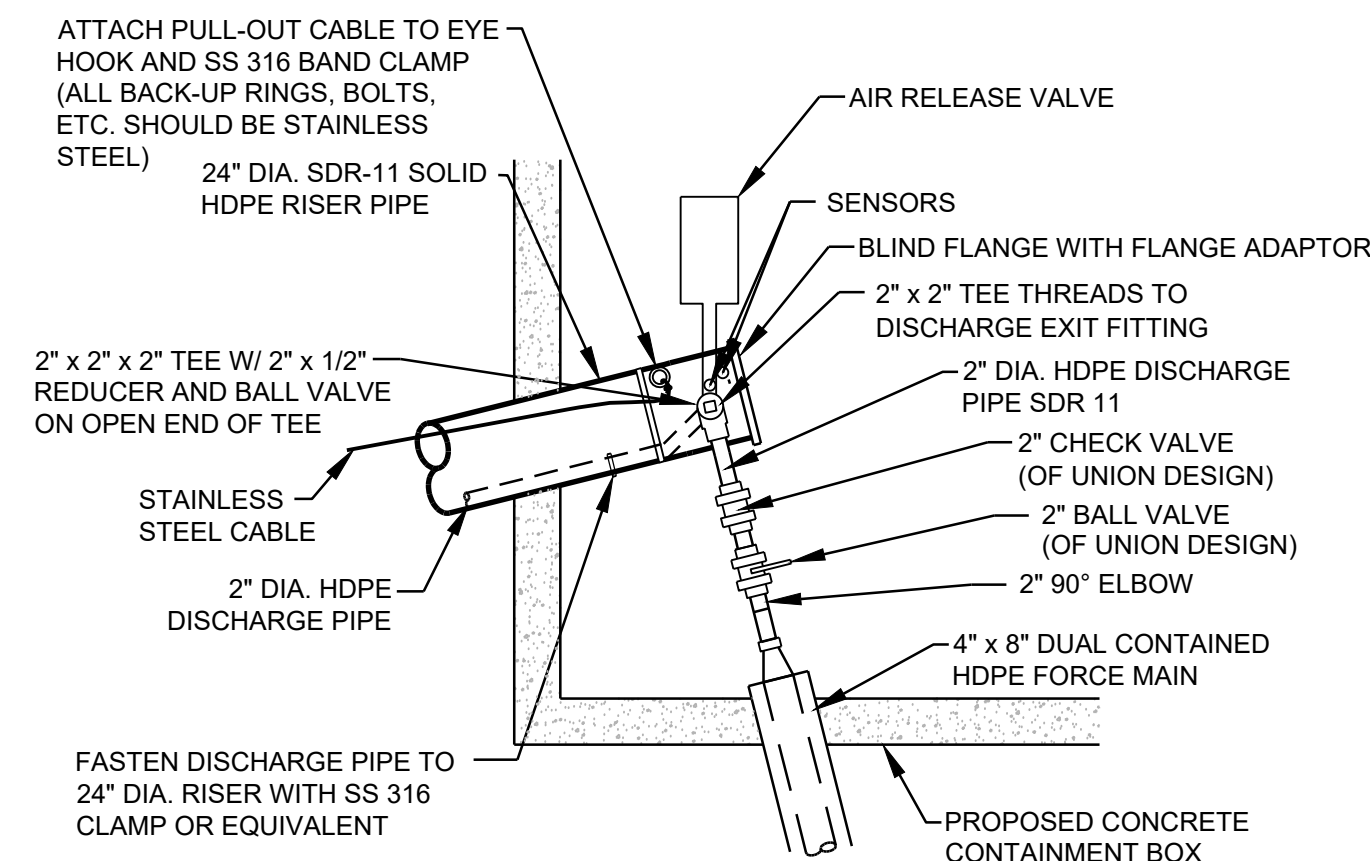
**6"X10" DUAL CONTAINED FORCE MAIN**  
SCALE: N.T.S.



CELL 9&10 MISCELLANEOUS DETAILS			
<b>CELLS 9 &amp; 10 LINER RETROFIT</b>			
<b>PLANT BOWEN - CCR LANDFILL</b>			
FOR <b>GEORGIA POWER COMPANY</b> BARTOW COUNTY, GEORGIA			
<b>HHNT</b>			
HODGES, HARBIN, NEWBERRY & TRIBBLE, INC.		3920 ARKWRIGHT RD. SUITE 101 MACON, GEORGIA 31210	
PROJ. NO.	3030-022-01	DWG.	BWN-Cell 9-10-8-D1
SCALE	AS SHOWN	SHEET	H-52268
DATE	AUGUST 2022		

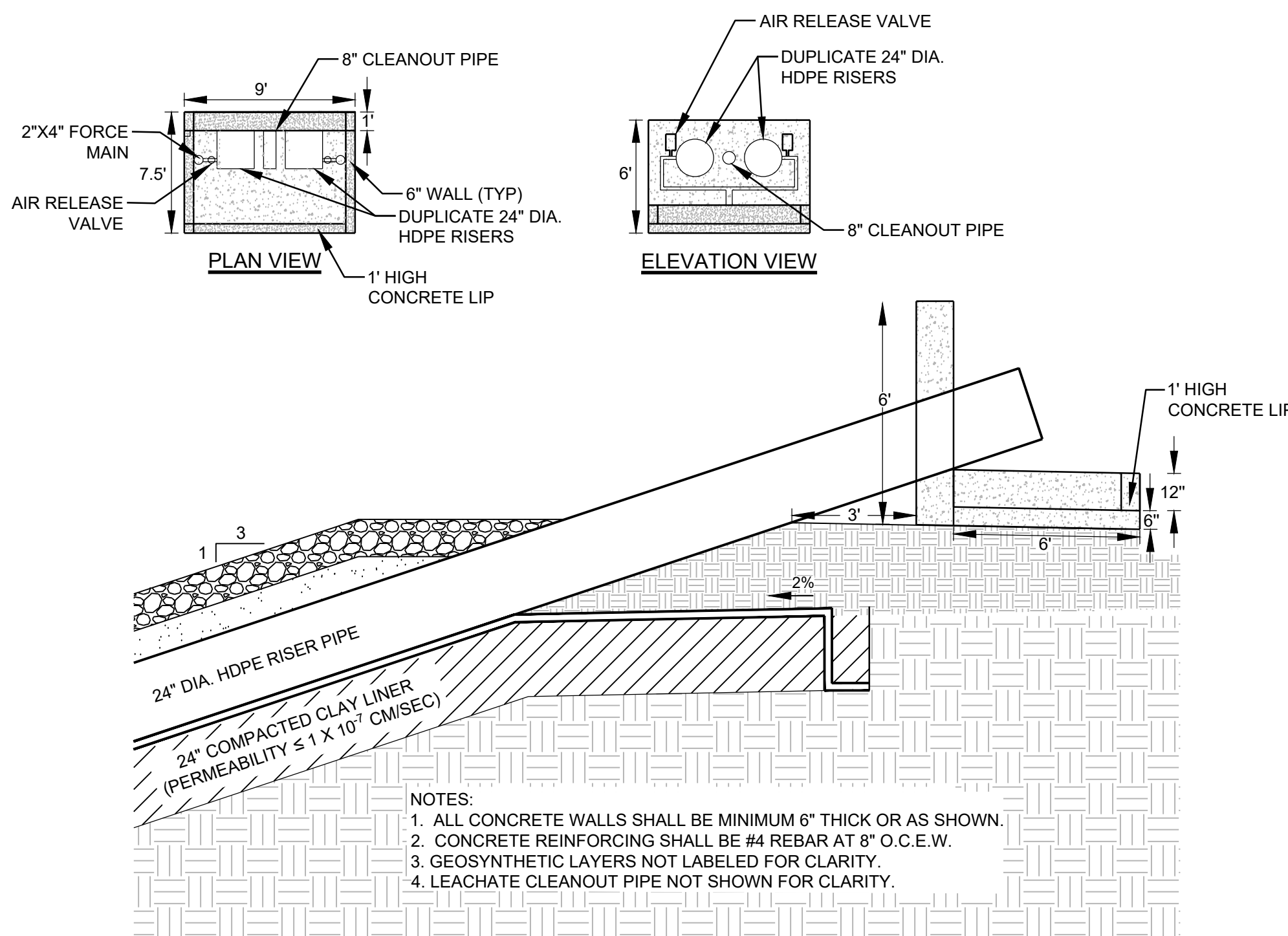


10



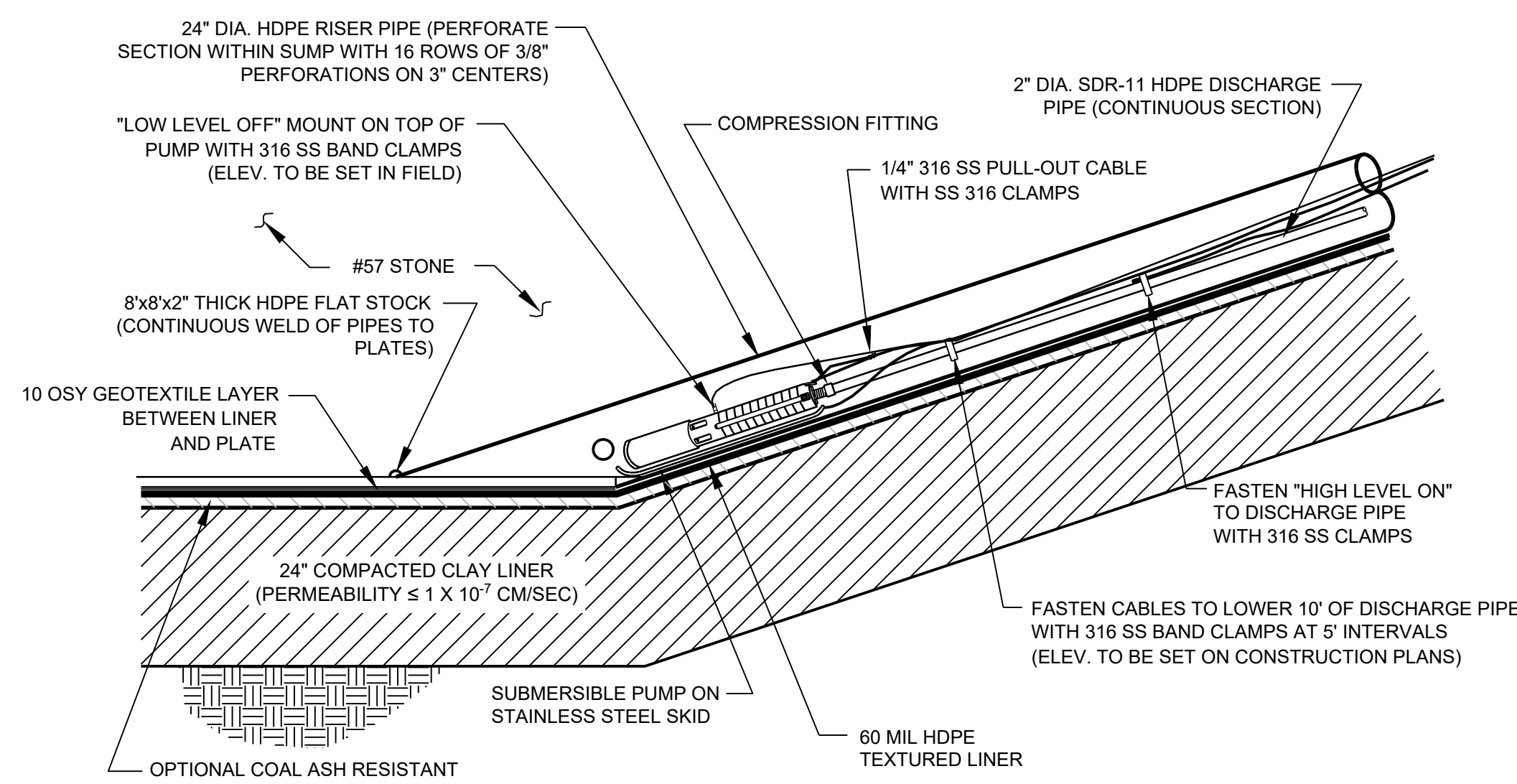
**FORCE MAIN FITTINGS W/ FREEZE PROTECTION**  
SCALE: NTS

12



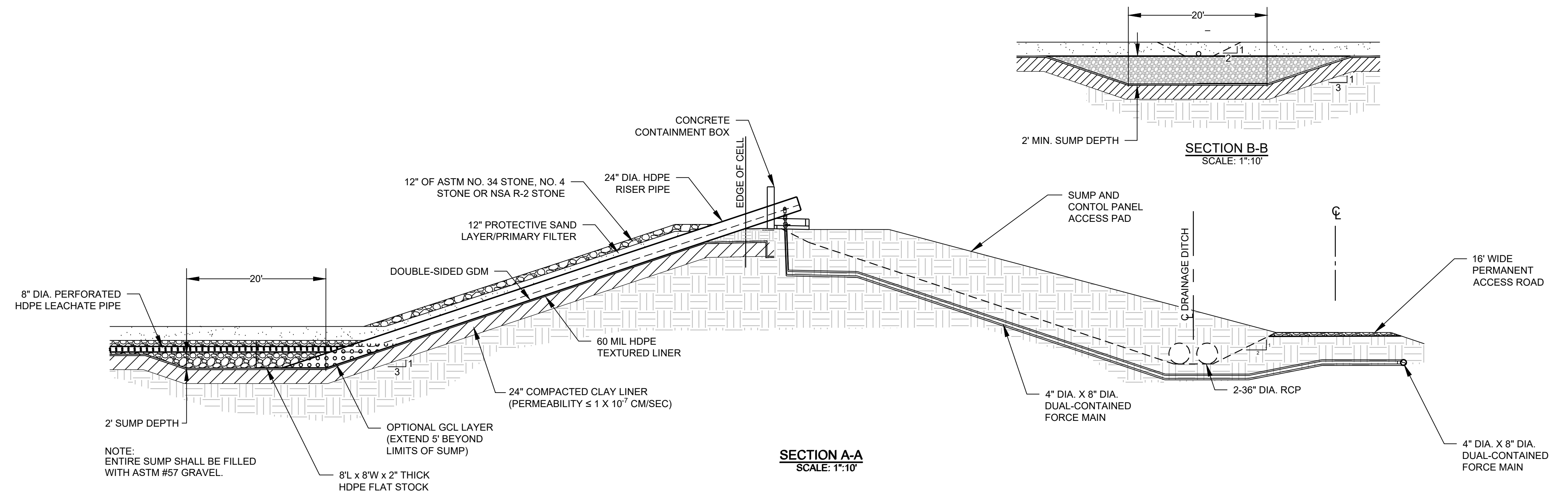
**CONCRETE CONTAINMENT BOX**  
SCALE: NTS

13



**LEACHATE SUMP PUMP**  
SCALE: N.T.S.

11



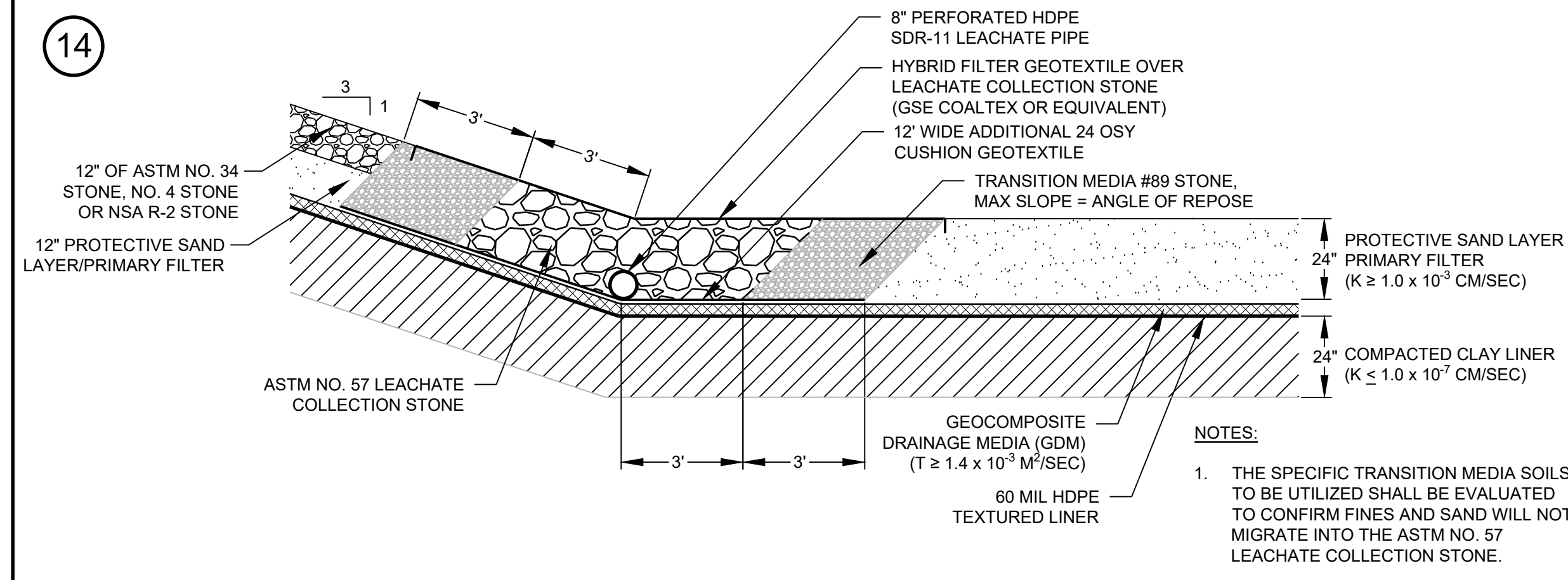
NOTES:

- 4\" DIA. FORCE MAIN SHALL HAVE A MINIMUM 24\" COVER AND SHALL BE DUAL-CONTAINED.
- TRACE TAPE SHALL BE PLACED IN ALL LEACHATE FORCE MAIN TRENCHES, 12\" BELOW GROUND SURFACE AND DIRECTLY ABOVE PIPE.
- ALL GCL INSTALLED SHALL BE COAL ASH RESISTANT (CAR).

PUMP CONTROLS:  
SUMP PUMP SYSTEM SHALL BE EQUIPPED WITH A HIGH WATER ALARM THAT WILL ALERT ONSITE PERSONNEL TO HIGH WATER LEVEL IN SUMP. AT A MINIMUM, 1 SPARE 85 GPM PUMP SHALL BE ONSITE FOR QUICK REPLACEMENT IN CASE OF PUMP FAILURE. PUMPS SHALL BE EQUIPPED WITH PRESSURE TRANSDUCERS FOR AUTOMATIC CONTROL.

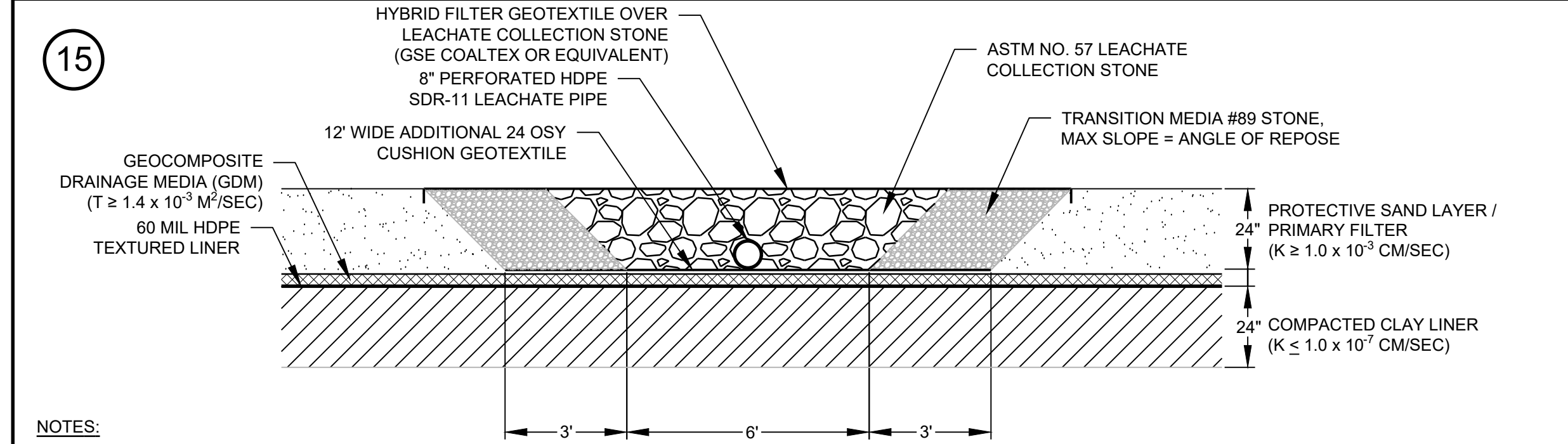
**LEACHATE SUMP ASSEMBLY**

14



**LEACHATE COLLECTION AND REMOVAL SYSTEM - TOE OF SLOPE**  
SCALE: 1\"/>

15

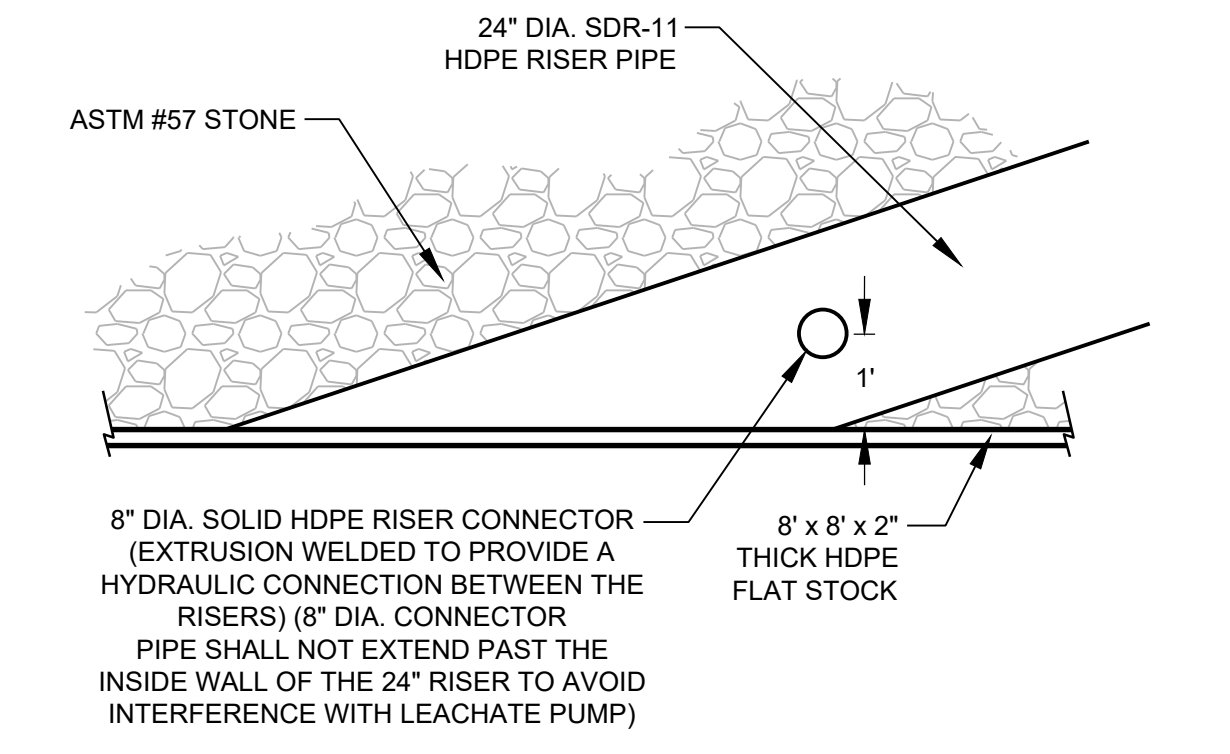


NOTES:

- THE SPECIFIC TRANSITION MEDIA SOILS TO BE UTILIZED SHALL BE EVALUATED TO CONFIRM FINES AND SAND WILL NOT MIGRATE INTO THE ASTM NO. 57 LEACHATE COLLECTION STONE.

**LEACHATE COLLECTION AND REMOVAL SYSTEM - CELL FLOOR**  
SCALE: 1\"/>

16



**8\" DIA. SOLID HDPE RISER CONNECTOR**  
SCALE: 1\"/>



CELL 9&10 MISCELLANEOUS DETAILS

**CELLS 9 & 10 LINER RETROFIT**  
**PLANT BOWEN - CCR LANDFILL**  
FOR  
**GEORGIA POWER COMPANY**  
BARTOW COUNTY, GEORGIA



44781 743-7175  
WWW.HHNT.COM  
3030-022-01  
AS SHOWN  
AUGUST 2022

DWG. BWN-Cell 9-10-9-D2  
SHEET H-52269

3920 ARKWRIGHT RD.  
SUITE 101  
MACON, GEORGIA 31210







